



This is a digital copy of a book that was preserved for generations on library shelves before it was carefully scanned by Google as part of a project to make the world's books discoverable online.

It has survived long enough for the copyright to expire and the book to enter the public domain. A public domain book is one that was never subject to copyright or whose legal copyright term has expired. Whether a book is in the public domain may vary country to country. Public domain books are our gateways to the past, representing a wealth of history, culture and knowledge that's often difficult to discover.

Marks, notations and other marginalia present in the original volume will appear in this file - a reminder of this book's long journey from the publisher to a library and finally to you.

Usage guidelines

Google is proud to partner with libraries to digitize public domain materials and make them widely accessible. Public domain books belong to the public and we are merely their custodians. Nevertheless, this work is expensive, so in order to keep providing this resource, we have taken steps to prevent abuse by commercial parties, including placing technical restrictions on automated querying.

We also ask that you:

- + *Make non-commercial use of the files* We designed Google Book Search for use by individuals, and we request that you use these files for personal, non-commercial purposes.
- + *Refrain from automated querying* Do not send automated queries of any sort to Google's system: If you are conducting research on machine translation, optical character recognition or other areas where access to a large amount of text is helpful, please contact us. We encourage the use of public domain materials for these purposes and may be able to help.
- + *Maintain attribution* The Google "watermark" you see on each file is essential for informing people about this project and helping them find additional materials through Google Book Search. Please do not remove it.
- + *Keep it legal* Whatever your use, remember that you are responsible for ensuring that what you are doing is legal. Do not assume that just because we believe a book is in the public domain for users in the United States, that the work is also in the public domain for users in other countries. Whether a book is still in copyright varies from country to country, and we can't offer guidance on whether any specific use of any specific book is allowed. Please do not assume that a book's appearance in Google Book Search means it can be used in any manner anywhere in the world. Copyright infringement liability can be quite severe.

About Google Book Search

Google's mission is to organize the world's information and to make it universally accessible and useful. Google Book Search helps readers discover the world's books while helping authors and publishers reach new audiences. You can search through the full text of this book on the web at <http://books.google.com/>

NYPL RESEARCH LIBRARIES



3 3433 06642135 9











SYMMETRICAL
MASONRY ARCHES

INCLUDING

NATURAL STONE, PLAIN-CONCRETE, AND
REINFORCED-CONCRETE ARCHES

FOR THE USE OF TECHNICAL SCHOOLS, ENGINEERS, AND
COMPUTERS IN DESIGNING ARCHES ACCORDING
TO THE ELASTIC THEORY

BY

MALVERD A. HOWE, M. AM. SOC. C. E.

Professor of Civil Engineering, Rose Polytechnic Institute

FIRST EDITION

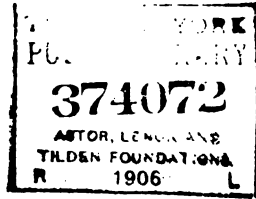
FIRST THOUSAND

NEW YORK

JOHN WILEY & SONS

LONDON: CHAPMAN & HALL, LIMITED

1906



Copyright, 1906
BY
MALVERD A. HOWE

ROBERT DRUMMOND, PRINTER, NEW YORK

PREFACE.

THE object of this book is to present in a simple form the method to be employed in the designing of masonry arches according to the *elastic theory*.

The entire subject of arches has been fully treated in the author's Treatise on Arches, in which formulas for special cases and conditions are given. Considering the fact that masonry arches are constructed of materials and under conditions which are more or less uncertain in character, the use of comprehensive or rigid formulas is not necessary or warranted. Consequently the formulas and methods here presented are somewhat approximate, but quite accurate enough for the purpose for which they are intended.

The greater portion of the book is taken up with the solution of examples, giving each step in detail so as to be easily followed by the undergraduate or the engineer who has not the time to review the theory of arches in a comprehensive manner.

The first and second examples have been solved by a somewhat longer method than necessary. This method was used in order to show clearly the several processes and checks.

In the third example will be found the simplest solution of the formulas for the horizontal thrusts and bending moments at the supports presented up to this time.

The numerical and graphical work has been given with such discrepancies as may be expected unless extraordinary care is exercised and many decimal places used. The discrepancies are of no practical importance, as the results are much nearer being exact than any masonry structure can be built, so as to fulfil the conditions upon which the calculations are based.

For the benefit of those who desire to follow precedents and as an aid in making preliminary calculations and estimates, the general data for over five hundred arch bridges have been given in tabular form with references to periodicals, etc., where more extended descriptions can be found. Without any doubt many errors exist in this table, which is quite incomplete in some particulars. The data have been derived from many sources and in some cases supplied from drawings by scaling and in others by calculations.

M. A. H.

TERRE HAUTE, July 1906.

CONTENTS

CHAPTER I.

FUNDAMENTAL FORMULAS FOR THE ELASTIC ARCH.

	PAGE
1. Angular Distortion Produced by Bending.....	1
2. Changes in the Coordinates x and y Produced by Bending only..	3
3. Changes in x and y Produced by a Direct or Axial Stress.....	5
4. Changes in s , x , and y Produced by a Rise of Temperature....	6
5. The Combination of Bending, Axial Thrust, and Temperature Effects.	7
6. Neglecting the Axial Stress and Assuming the Modulus of Elasticity as Constant.	7

CHAPTER II.

SYMMETRICAL ARCHES FIXED AT THE ENDS.

7. Conditions which must be Satisfied.	9
8. Determination of the Horizontal Thrust H_1 Produced by Vertical and Horizontal Loads and Changes of Temperature..	10
9. The Horizontal Thrust Produced by a Single Vertical Load Placed at any Point upon the Arch.	11
10. The Horizontal Thrust Produced by a Single Horizontal Load Placed at any Point upon the Arch.	11
11. The Horizontal Thrust Produced by a Change of Temperature.	12
12. Determination of the Bending Moment at the Left Support Produced by any Single Load and Changes of Temperature.	13
13. Formulas which Apply for Vertical Loads only.	15
14. A Graphical Determination of m_x in (2a) for Vertical Loads.	16
15. A Graphical Determination of Some of the Factors in the Equation for H_1 for Vertical Loads.	17
16. A Graphical Representation of the Second Term in the Expression for M_1 for Vertical Loads.	18
17. A Graphical Representation of M_x for Vertical Loads only.	20
18. The Loads Producing a Maximum M_x and the Ordinates Locating the True Equilibrium Polygon for a Single Vertical Load.	22

	PAGE
19. The Effect of the Axial Stress for Vertical Loads only.	23
20. Loads which Produce Maximum Values of T_x or Radial Shear.	25
21. Formulas which Apply for Horizontal Loads only.	26
22. A Graphical Representation of M_x for a Single Horizontal Load.	27
23. A Graphical Representation of M_x for Two Equal and Symmetrical Horizontal Loads.	28
24. Arch Ribs for which Δ is Constant.	29
25. Formulas for H_1 and M_1 for Vertical Loads when Δ is Constant.	30
26. Formulas for h_1 and M_1 for Horizontal Loads when Δ is Constant.	31
27. Formulas for H_t and M_1 for Changes of Temperature when Δ is Constant.	31
28. Effect of the Axial Stress when Δ is Constant.	32
29. Determination of N_x , the Normal or Axial Stress, and T_x , the Radial Shear at any Point.	32
30. A Graphical Determination of N_x and T_x for Vertical Loads.	33
31. Fiber Stresses for any Section.	33
32. Reliability of the Elastic Theory when Applied to Steel Ribs.	37
33. Reliability of the Elastic Theory when Applied to Ribs Composed of Natural Stone Voussoirs.	37
34. Reliability of the Elastic Theory when Applied to Plain Concrete Ribs.	41
35. Reliability of the Elastic Theory when Applied to Reinforced Concrete Ribs.	42
36. Reliability of the Elastic Theory: Summary.	42
37. Depth of the Arch Rib.	43
38. Empirical Formulas for the Thickness of the Ring at the Crown in Stone Arches.	43
39. Thickness of Arch Ring of Stone at the Support.	46
40. Thickness of Abutment.	47
41. Thickness of Piers.	48
42. Remarks concerning Empirical Formulas.	48
43. Albula Railroad Practice.	49
44. The Dead Load.	49
45. Dead Load Equilibrium Polygon following the Axis of the Arch Ring.	51

CHAPTER III.

EXAMPLES SHOWING THE APPLICATION OF THE FORMULAS, ETC.

46. Preliminary.	53
47. First Example: Data.	53
48. Subdivision of the Arch Axis.	54
49. Computation of r and y	55

CONTENTS.

vii

	PAGE
50. Computation of H_1 for Unit Loads.....	56
51. Computation of M_1 , V_1 , y_1 , y_2 , and y_0 for Unit Loads.....	60
52. Depth of Ring and the Dead Load.	65
53. Live Loads and Loads Producing Maximum Moments.....	68
54. M_1 , V_1 , and H_1 for Live Loads.....	69
55. Maximum Moments at Point o Produced by the Live Load....	69
56. Maximum Moments at the Crown Produced by the Live Load.	70
57. Moment at the Crown Produced by Live Loads 1-10 Inclusive.	72
58. Moment at the Crown Produced by Loads 8-8' Inclusive.....	72
59. Maximum Moment at Point 6' Produced by Live Loads 1-8' Inclusive.	73
60. Maximum Moment at Point 6' Produced by Live Loads 7'-1' Inclusive.	73
61. Moment at Point 6' Produced by Live Loads 1-10 Inclusive...	73
62. Moments at all Points Produced by Live Loads 1-8' Inclusive Determined Graphically.....	74
63. Maximum Moment at Point 6' Produced by Loads 7'-1' Inclu- sive Graphical Determinations.....	75
64. Fiber Stresses Produced by Dead and Live Loads.....	76
65. Effect of Temperature Changes.....	79
66. Effect of the Axial or Direct Stress.....	81
67. A Check upon the Effect of the Axial Stress for Dead Loads...	84
68. Effect of Making Spandrel Filling of Uniform Material Weigh- ing 100 Pounds per Cubic Foot.....	85
69. The Radial Shear.....	87
70. Second Example: Data.....	88
71. Subdivision of the Arch Axis.....	88
72. Computation of H_1 for Unit Loads.....	89
73. Computation of M_1	89
74. Values of V_1 , y_1 , y_2 , y_0 , etc., for Unit Loads.....	96
75. Values of H_1 and M_1 for the Dead Load.....	96
76. Location of the Equilibrium Polygon for the Dead Load.....	96
77. Maximum Fiber Stresses Produced by the Dead Load at Point 1	101
78. Maximum Fiber Stresses Produced by the Live Load at Point 1	102
79. Maximum Fiber Stresses Produced by the Dead Load at Point 7.....	103
80. Maximum Fiber Stresses Produced by the Live Loads at Point 7.....	105
81. Maximum Fiber Stresses Produced at Points 1 and 7 by the Dead and Live Loads.....	106
82. Temperature Stresses.....	106
83. Maximum Stresses Produced by Dead Load, Live Load, and Changes of Temperature.....	108
84. The Axial Stress.....	110
85. Assumption that the Steel Resists Entire Bending Moment Due to Changes of Temperature.....	110

	PAGE
86. Third Example.	111
87. The Computation of H_1	111
88. The Computation of M_1 and M_2	113

CHAPTER IV.

TYPICAL ARCHES.

89. The Rockville Stone Arch Bridge.	120
90. The Bellefield Stone Arch Bridge.	120
91. The Luxemburg Stone Arch Viaduct.	121
92. Approaches to the Thebes Bridge.	121
93. Vermillion River Plain Concrete Arch Bridge.	123
94. Steel Reinforcement in the Form of Ribs.	123
95. Steel Reinforcement other than in the Form of Ribs.	124
96. Area of Steel Reinforcement.	124
97. Abstracts from Specifications.	125

APPENDIX.

TABLE I.

PHYSICAL PROPERTIES OF STONE AND CONCRETE.	129
--	-----

TABLE II.

DATA FOR ABOUT FIVE HUNDRED MASONRY ARCH BRIDGES ARRANGED ACCORDING TO SPAN.	134
--	-----

NOMENCLATURE.

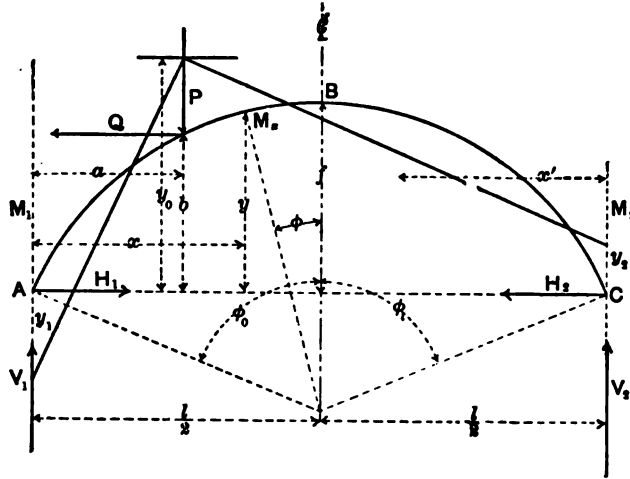


FIG. a.

H_1 = the horizontal thrust at the left support for any loading in general and in special formulas for vertical loads only;

h_1 = the horizontal thrust at the left support for horizontal loads only;

H_t = the horizontal thrust at the left support for changes of temperature;

H_a = the horizontal thrust at the left support produced by the axial stress;

M_1 = the moment at the left support;

M_2 = the moment at the right support;

M_x = the moment at any point having the coordinates x and y ;

V_1 = the vertical reaction at the left support;

V_2 = the vertical reaction at the right support;

l = the span of the arch axis;

f = the rise of the arch axis;

x and y = the coordinates of any point of the arch axis;

$\phi_0 = -\phi_0$ = one half the total central angle subtended by the axis of the arch;

ϕ = the angular distance to the left of the crown of any point having the coordinates x and y ;

- P = any vertical load;
- Q = any horizontal load;
- a = the abscissa of the point of application of P or Q ;
- b = the ordinate of the point of application of P or Q ;
- $y_1, y_0,$ and y_2 = ordinates locating the true equilibrium polygon for a vertical load as shown in Fig. *a*;
- $x_1, x_0,$ and x_2 = abscissas locating the true equilibrium polygon for a horizontal load (see Art. 22);
- $\delta s_1, \delta s_2,$ etc. = finite lengths into which the axis of the arch is divided;
- $\delta x = \delta s \cos \phi$;
- $\delta y = \delta s \sin \phi$;
- $I_1, I_2,$ etc. = the moment of inertia of the cross-section of the arch rib for divisions $\delta s_1, \delta s_2,$ etc.
- $A_1, A_2,$ etc. = $\frac{\delta s_1}{I_1}, \frac{\delta s_2}{I_2},$ etc.;
- Σ = sign of summation, and when without limits the sum is to be taken from 0 to l ;
- $\overset{x}{\Sigma}$ = sum from 0 to x ;
- E = the modulus of elasticity;
- F = area of arch rib at any section;
- ϵ = coefficient of linear expansion for one degree;
- θ = number of degrees change of temperature;
- p = unit stress in extreme fibers of arch rib;
- p' = unit stress in steel reinforcement in reinforced-concrete ribs.
- $y_1 = \frac{M_1}{H_1}, \quad y_2 = \frac{M_2}{H_2}, \quad y_0 = \frac{M_1}{H_1} + \frac{V_1}{H_1} a$;
- $x_1 = \frac{M_1}{V_1}, \quad x_2 = \frac{M_2}{V_2}, \quad x_0 = \left(b - \frac{M_1}{h_1}\right) \frac{h_1}{V_1}$;
- $N_x = V_x \sin \phi + H_x \cos \phi$ = axial or normal stress;
- $T_x = V_x \cos \phi - H_x \sin \phi$ = radial shear;
- $M_x = M_1 + V_1 x - H_1 y - \overset{x}{\Sigma} P(x-a) + \overset{x}{\Sigma} Q(y-b); \quad x > a. \quad \dots \quad \text{I}$
- $V_1 = \frac{M_2 - M_1}{l} + R_1 + \overset{x}{\Sigma} Q \frac{b}{l}. \quad \dots \quad \text{II}$
- $M_x = M_1 + V_1 x - h_1 y + Q(y-b),$ horizontal load; }
 $\frac{M_x}{H_1} = \frac{M_1}{H_1} \frac{l-x}{l} + \frac{M_2}{H_1} \frac{x}{l} - y + \frac{m_x}{H_1},$ vertical load. } $\dots \quad \text{III}$

SYMMETRICAL MASONRY ARCHES.

CHAPTER I.

FUNDAMENTAL FORMULAS FOR THE ELASTIC ARCH.

1. **Angular Distortion Produced by Bending.**—Let Fig. 1 represent an elastic arch which has been distorted so that the angle ϕ has become $\phi - \delta\phi$ at a section having the co-

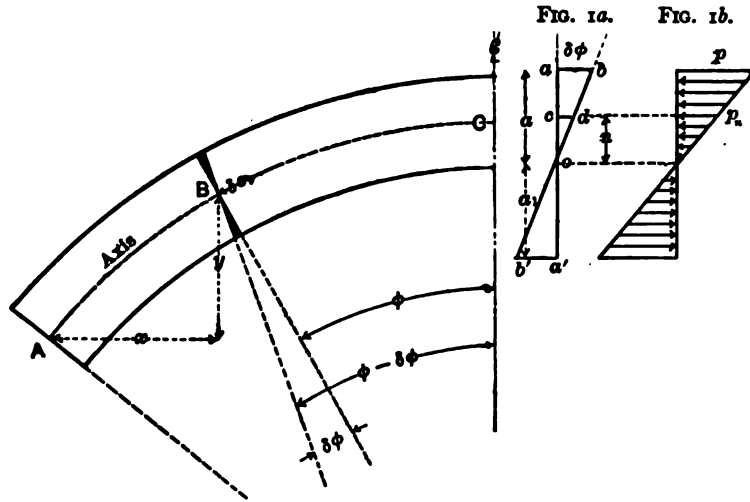


FIG. 1.

ordinates x and y . Let the length of the section at x be taken as δs on the neutral axis, and assume that the dis-

tortion is confined to this section and produced by bending alone. Then, according to the common theory of flexure, the distortion of the fibers can be represented by Fig. 1a, and the forces producing the distortions by Fig. 1b.

In Fig. 1a, if cd represents the distortion of a fiber distant n from the neutral axis, $cd = +n(-\delta\phi)$, $\delta\phi$ and $\tan \delta\phi$ being assumed equal for very small angles.

In Fig. 1b, the intensity of the stress producing the distortion cd is p_n , which may be taken in terms of the intensity p upon the outer fiber, or

$$p_n = \frac{np}{a}.$$

The moment of p_n about O upon the neutral axis of the arch is

$$np_n = \frac{n^2p}{a},$$

and the sum of the moments of all of the intensities is

$$\sum_{a_1}^a np_n = \sum_{a_1}^a \frac{n^2p}{a} = \frac{p}{a} \sum_{a_1}^a n^2 = \frac{p}{a} I_x = M_x,$$

where I_x equals the moment of inertia of the section x , and M_x the bending moment at this section.

Let E_x equal the modulus of elasticity of the material at this section; then, since

$$E_x = \frac{\text{unit stress}}{\text{unit strain}},$$

$$E_x = \frac{p}{ab} = \frac{p}{-a\delta\phi} \cdot \frac{\delta\phi}{\delta s} \quad \therefore p = E_x a \frac{-\delta\phi}{\delta s}.$$

This expression is not exactly correct, as it assumes the length of all fibers before distortion to be δs , while actually each fiber has a different length. Usually the depth of an arch rib is quite small in comparison with its radius of curvature, so that the error is very small.

Substituting this value of p in the expression $M_x = \frac{p}{\alpha} I_x$ and solving for $\delta\phi$,

$$\delta\phi = -\frac{M_x \delta s}{E_x I_x}$$

This represents the change in the angle ϕ due to the distortion at the section x alone. If the effect of the distortion at all sections from A to B , Fig. 1, be represented by $\Delta\phi$, then

$$\Delta\phi = -\sum_0^x \frac{M_x \delta s}{E_x I_x}$$

If ϕ_0 is the total central angle upon the *left* of the crown and $-\phi_l$ that upon the *right*, then $\phi_0 - \phi_l$ is the total central angle. The change in this central angle due to the distortions of all sections between 0 and l (where l is the total span subtending the central angle $\phi_0 - \phi_l$) becomes

$$\Delta\phi_0 = \Delta\phi_l - \sum_0^l \frac{M_x \delta s}{E_x I_x}$$

2. Changes in the Coordinates x and y Produced by Bending only.—Let the distortion at the section x be the same as in the previous article, and assume the point A free to move; then, after the distortion, it would be in some

position as C , Fig. 2. x will be *increased* by δx and y will be *decreased* by δy .

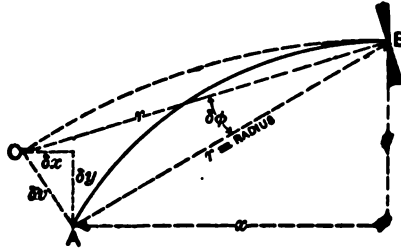


FIG. 2.

From Fig. 2,

$$\delta y : \delta v :: x : r, \text{ or } r\delta y = x\delta v = xr\delta\phi.$$

$$\delta x : \delta v :: y : r, \text{ or } r\delta x = y\delta v = yr\delta\phi.$$

$$\therefore \delta y = x\delta\phi \text{ and } \delta x = y\delta\phi.$$

Substituting the value of $\delta\phi$ from Art. 1,

$$\delta y = \frac{M_x \delta s}{E_x I_x} x \text{ and } \delta x = \frac{M_x \delta s}{E_x I_x} y.$$

The total change in x and y due to the distortion of all sections between A and B is

$$\Delta x = \sum_0^x \frac{M_x y \delta s}{E_x I_x} \text{ and } \Delta y = \sum_0^x \frac{M_x x \delta s}{E_x I_x}.$$

If now x is assumed to equal l , we may write for the total effect of the distortion at all sections upon the span l

$$\Delta l = + \sum_0^l \frac{M_x y \delta s}{E_x I_x}.$$

If y is assumed as positive when measured upward

and $+C$ is the value of y when $x=l$, then, noting that y decreases under the particular distortion assumed,

$$\Delta C = - \int_0^l \frac{M_x x \delta s}{E_x I_x}.$$

3. Changes in x and y Produced by a Direct or Axial Stress.

— A direct or axial stress is one producing a uniform intensity at the section being considered; consequently the distortion of each fiber will be the same over the entire section (the modulus of elasticity E_x being assumed constant for the section).

If N_x is the magnitude of the stress and F_x the area of the section, $\frac{N_x}{F_x} = p_0$ is the unit stress or intensity upon the section x . In Fig. 3 let a portion of the arch rib δs in length be acted upon by the direct stress N_x , and suppose this stress produces a uniform shortening of the fibers ab ; then

$$E_x = \frac{p_0}{\frac{\Delta s}{ab}}, \quad \text{or} \quad \Delta s = \frac{p_0 \delta s}{E_x}.$$

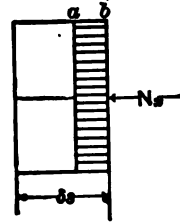


FIG. 3.

If $\int_0^x \Delta s$ for all sections between x and 0 be represented by Δs , then

$$\Delta s = \int_0^x \frac{p_0 \delta s}{E_x}.$$

If $x=l$, and since this distortion is in effect a decreasing of the length of the arch axis,

$$\Delta s = - \int_0^l \frac{p_0 \delta s}{E_x}.$$

In a similar manner

$$\Delta x = - \sum_0^x \frac{p_0 \delta x}{E_x} \quad \text{and} \quad \Delta y = - \sum_0^y \frac{p_0 \delta y}{E_x}.$$

Also

$$\Delta l = - \sum_0^l \frac{p_0 \delta x}{E_x},$$

and

$$\Delta C = - \sum_0^l \frac{p_0 \delta y}{E_x}.$$

4. Changes in s , x , and y Produced by a Rise of Temperature.

—Let e = the coefficient of expansion for a change of t° in temperature;

t° = the number of degrees of change in temperature;

δs = the length in which a uniform change of temperature takes place. Then

$$\Delta s = et^\circ \sum_0^s \delta s,$$

$$\Delta x = et^\circ \sum_0^x \delta x,$$

and

$$\Delta y = et^\circ \sum_0^y \delta y.$$

If $x = l$, then

$$\Delta s = et^\circ \sum_0^l \delta s,$$

$$\Delta l = et^\circ \sum_0^l \delta x,$$

and

$$\Delta c = et^\circ \sum_0^l \delta y.$$

5. The Combination of Bending, Axial Thrust, and Temperature Effects.—Combining the formulas deduced in the previous articles,

$$\Delta\phi_0 = \Delta\phi_1 - \int_0^l \frac{M_x \delta s}{E_x I_x},$$

$$\Delta l = \int_0^l \frac{M_x y \delta s}{E_x I_x} - \int_0^l \frac{p_0 \delta x}{E_x} + \int_0^l \epsilon t^\circ \delta x,$$

$$\Delta c = - \int_0^l \frac{M_x x \delta s}{E_x I_x} - \int_0^l \frac{p_0 \delta y}{E_x} + \int_0^l \epsilon t^\circ \delta y.$$

In comparing the above equations with those given in the author's "Treatise on Arches," it is seen that the signs of the terms containing M_x are of opposite character. If we had assumed the upper fiber extended by the bending, the signs would have been in agreement. The actual sign of the term depends upon M_x , so the disagreement is of no importance as long as the terms are consistently of opposite signs.

6. Neglecting the Axial Stress and Assuming the Modulus of Elasticity as Constant.—* The effect of the axial stress is quite small excepting in arches which are very flat. For fixed arches having a ratio of rise to span of $1/10$ the effect of the axial stress is to reduce the magnitude of the horizontal thrust about 30%, while for a ratio of $2/10$ this percentage drops to about 10%. Formulas which include the effect of the axial stress become somewhat complex, and as its effect can be found with sufficient accuracy for

* See "A Treatise on Arches," by Malverd A. Howe. John Wiley & Sons, New York.

practical purposes by another method, we will omit the term containing p_0 in the formulas which follow.

Usually the modulus of elasticity of the material in an arch rib is uniform, so that it will be unnecessary to consider E_x as a variable in our formulas. We will designate the uniform value by E .

The formulas now become

$$\Delta\phi_0 - \Delta\phi_1 = -\frac{1}{E} \int_0^l M_x \Delta,$$

$$\Delta l = \frac{1}{E} \int_0^l M_x y \Delta + \int_0^l e t^2 \delta x,$$

$$\Delta c = -\frac{1}{E} \int_0^l M_x x \Delta + \int_0^l e t^2 \delta y,$$

where Δ in the second member of each equation = $\frac{\delta s}{I_s}$.

CHAPTER II.

SYMMETRICAL ARCHES FIXED AT THE ENDS.

7. **Conditions which must be Satisfied.**—(a) The total central angle must remain unchanged, or $\Delta\phi - \Delta\phi_1 = 0$;

(b) The length of the span must remain constant, or $\Delta l = 0$; and

(c) The relative elevations of the supports must remain unchanged, or $\Delta c = 0$.

Expressing these conditions in the form of equations, we have from Art. 6

$$\int_0^l M_x \Delta = 0, \quad (a)$$

$$\int_0^l M_x y \Delta + e t^2 E \int_0^l \delta x = 0, \quad (b)$$

and

$$-\int_0^l M_x x \Delta + e t^2 E \int_0^l \delta y = 0. \quad (c)$$

From (I),

$$M_x = M_1 + V_1 x - H_1 y - \sum_0^{x>a} P(x-a) + \sum_0^{x>a} Q(y-b).$$

We have three equations (a), (b), and (c), containing in M_x the three unknowns M_1 , V_1 , and H_1 , and consequently their values can be determined under the assumptions made.

8. Determination of the Horizontal Thrust H_1 Produced by Vertical and Horizontal Loads and Changes of Temperature.— Let two equal vertical loads P and two equal horizontal loads Q be placed upon two points equally distant from the crown. (These may be the vertical and horizontal components of inclined loads.) Then

$$V_1 = P,$$

and

$$M_x = M_1 - H_1 y + \left\{ m_x = Px - \sum_0^x P(x-a) + \sum_0^x Q(y-b) \right\},$$

where m_x = the common moment for symmetrical loads on a simple beam supported at the ends.

Substituting the value of M_x in (a) and (b), we obtain

$$M_1 \sum_0^l \Delta - H_1 \sum_0^l y \Delta + \sum_0^l m_x \Delta = 0$$

and

$$M_1 \sum_0^l y \Delta - H_1 \sum_0^l y^2 \Delta + \sum_0^l m_x y \Delta + et^0 E \sum_0^l \delta x = 0.$$

Multiplying the first equation by $\sum_0^l y \Delta$ and the second by $\sum_0^l \Delta$, eliminating M_1 , and solving for H_1 , we obtain

$$H_1 = \frac{et^0 E \sum \delta x + \sum m_x y \Delta - \sum m_x \Delta \frac{\sum y \Delta}{\sum \Delta}}{\sum y^2 \Delta - \frac{(\sum y \Delta)^2}{\sum \Delta}}, \quad \dots \quad (1)$$

which is the general expression for the horizontal thrust produced by two equal and symmetrically placed loads and changes of temperature.

Hereafter all summations between the limits l and o will be designated simply by Σ , as in the equation for H_1 above.

9. **The Horizontal Thrust Produced by a Single Vertical Load Placed at any Point upon the Arch.**—In this case $m_x =$ the common moment due to two equal and symmetrically placed loads, or

$$Px - \Sigma^{x>a} P(x-a).$$

Since the loads are equal and symmetrically placed, the value of H_1 for one load must be just *one half* that for both loads; hence

$$H_1 = \frac{1}{2} \frac{\Sigma m_x y \Delta - \Sigma m_x \Delta \frac{\Sigma y \Delta}{\Sigma \Delta}}{\Sigma y^2 \Delta - \frac{(\Sigma y \Delta)^2}{\Sigma \Delta}}, \dots \dots (2)$$

where

$$m_x = Px - \Sigma^{x>a} P(x-a),$$

or

$$H_1 = \frac{1}{2} \frac{\Sigma m_x \Delta \left\{ y - \frac{\Sigma y \Delta}{\Sigma \Delta} \right\}}{\Sigma y \Delta \left\{ y - \frac{\Sigma y \Delta}{\Sigma \Delta} \right\}} \dots \dots (2a)$$

10. **The Horizontal Thrust Produced by a Single Horizontal Load Placed at any Point upon the Arch.**—In this case $m_x =$ the common moment due to two equal and symmetrically placed loads, or

$$m_x = \Sigma^{x>a} Q(y-b).$$

Let $h_1 =$ the horizontal thrust at the left support due to the load upon the left of the crown, and

h_2 = the horizontal thrust at the left support due to the load upon the right of the crown. Then

$$H_1 = h_1 + h_2;$$

but

$$Q = h_1 - h_2;$$

hence

$$2h_1 = H_1 + Q$$

and

$$h_1 = \frac{1}{2}H_1 + \frac{1}{2}Q.$$

Therefore

$$h_1 = \frac{1}{2} \left\{ Q + \frac{\Sigma m_x y \Delta - \Sigma m_x \Delta \frac{\Sigma y \Delta}{\Sigma \Delta}}{\Sigma y^2 \Delta - \frac{(\Sigma y \Delta)^2}{\Sigma \Delta}} \right\} \dots (3)$$

where $m_x = \int_{x>a}^x Q(y-b) \cdot$

Also,

$$h_1 = \frac{1}{2} \left\{ Q + \frac{\Sigma m_x \Delta \left(y - \frac{\Sigma y \Delta}{\Sigma \Delta} \right)}{\Sigma y \Delta \left(y - \frac{\Sigma y \Delta}{\Sigma \Delta} \right)} \right\} \dots (3a)$$

11. The Horizontal Thrust Produced by a Change of Temperature.—We have directly from eq. (1), since $\Sigma \delta x = l$,

$$H_1 = \frac{e t^{\circ} E l}{\Sigma y^2 \Delta - \frac{(\Sigma y \Delta)^2}{\Sigma \Delta}}; \dots (4)$$

also,

$$H_1 = \frac{e t^{\circ} E l}{\Sigma y \Delta \left(y - \frac{\Sigma y \Delta}{\Sigma \Delta} \right)} \dots (4a)$$

12. Determination of the Bending Moment at the Left Support Produced by any Single Load and Changes of Temperature.— From (III),

$$M_x = M_1 \frac{l-x}{l} + M_2 \frac{x}{l} - H_1 y + m_x,$$

where

$$m_x = P \frac{l-a}{l} x + \frac{Qb}{l} x - P(x-a) + Q(y-b) \quad x > a.$$

Taking the two conditions that the angle at the center shall remain unchanged and that the relative elevations of the supports remain constant, we have from (a) and (c)

$$\Sigma M_x \Delta = 0$$

and

$$-\Sigma M_x x \Delta + e t^{\circ} E \Sigma \delta y = 0.$$

Substituting the above value of M_x in these two equations, neglecting the temperature term for the present, we have

$$M_1 \Sigma \frac{l-x}{l} \Delta + M_2 \Sigma \frac{x}{l} \Delta - H_1 \Sigma y \Delta + \Sigma m_x \Delta = 0,$$

$$-M_1 \Sigma \frac{l-x}{l} x \Delta - M_2 \Sigma \frac{x^2}{l} \Delta + H_1 \Sigma x y \Delta - \Sigma m_x x \Delta = 0.$$

Multiplying the first equation by $\Sigma \frac{x^2}{l} \Delta$ and the second by $\Sigma \frac{x}{l} \Delta$, they become

$$M_1 \Sigma \frac{l-x}{l} \Delta \Sigma \frac{x^2}{l} \Delta + M_2 \Sigma \frac{x}{l} \Delta \Sigma \frac{x^2}{l} \Delta - H_1 \Sigma y \Delta \Sigma \frac{x^2}{l} \Delta + \Sigma m_x \Delta \Sigma \frac{x^2}{l} \Delta = 0,$$

$$-M_1 \Sigma \frac{l-x}{l} x \Delta \Sigma \frac{x}{l} \Delta - M_2 \Sigma \frac{x}{l} \Delta \Sigma \frac{x^2}{l} \Delta + H_1 \Sigma xy \Delta \Sigma \frac{x}{l} \Delta - \Sigma m_x x \Delta \Sigma \frac{x}{l} \Delta = 0.$$

Eliminating M_2 by adding these equations, we obtain

$$M_1 = H_1 \frac{\Sigma y \Delta \left(x - \frac{\Sigma x^2 \Delta}{\Sigma x \Delta} \right) + \Sigma m_x \Delta \left(x - \frac{\Sigma x^2 \Delta}{\Sigma x \Delta} \right)}{\Sigma \Delta \left(\frac{\Sigma x \Delta}{\Sigma \Delta} - \frac{\Sigma x^2 \Delta}{\Sigma x \Delta} \right)} \quad (5)$$

Since the arch is symmetrical in every particular, $\frac{\Sigma x \Delta}{\Sigma \Delta} = \frac{l}{2}$ and $\Sigma y \Delta x = \frac{l}{2} \Sigma y \Delta$. Therefore we have

$$M_1 = H_1 \frac{\Sigma y \Delta}{\Sigma \Delta} - \frac{\Sigma m_x \Delta \left(x - \frac{\Sigma x^2 \Delta}{\Sigma x \Delta} \right)}{\Sigma \Delta \left(\frac{l}{2} - \frac{\Sigma x^2 \Delta}{\Sigma x \Delta} \right)} \quad (5a)$$

For changes of temperature, from (a)

$$\Sigma M_x \Delta = 0.$$

From (III),

$$M_x = M_1 - H_1 y.$$

Then

$$M_1 \Sigma \Delta - H_1 \Sigma y \Delta = 0,$$

or

$$M_1 = H_1 \frac{\Sigma y \Delta}{\Sigma \Delta} \quad (5b)$$

13. Formulas which Apply for Vertical Loads only.

$$H_1 = \frac{1}{2} \frac{\sum m_x \Delta \left(y - \frac{\sum y \Delta}{\sum \Delta} \right)}{\sum y \Delta \left(y - \frac{\sum y \Delta}{\sum \Delta} \right)} = \frac{1}{2} \frac{\sum y \Delta \left(m_x - \frac{\sum m_x \Delta}{\sum \Delta} \right)}{\sum y \Delta \left(y - \frac{\sum y \Delta}{\sum \Delta} \right)}, \quad (2a)$$

where m_x for each load considered has the following value:

$$m_x = Px - \sum_{x>a} P(x-a).$$

$$M_1 = H_1 \frac{\sum y \Delta}{\sum \Delta} - \frac{\sum m_x \Delta \left(x - \frac{\sum x^2 \Delta}{\sum x \Delta} \right)}{\sum \Delta \left(\frac{l}{2} - \frac{\sum x^2 \Delta}{\sum x \Delta} \right)}, \quad \dots \quad (5a)$$

where

$$m_x = R_1 x - \sum_{x>a} P(x-a),$$

or the common moment for loads on a simple beam supported at the ends.

$$M_x = M_1 \frac{l-x}{l} + M_2 \frac{x}{l} - H_1 y + m_x, \quad \dots \quad (III)$$

where

$$m_x = R_1 x - \sum_{x>a} P(x-a) \dots ;$$

$$V_1 = \frac{M_2 - M_1}{l} + R_1,$$

where $R = \sum P \frac{l-a}{l}$ = the common reaction for loads on a simple beam supported at the ends.

For symmetrical loading

$$M_1 = H_1 \frac{\sum y \Delta}{\sum \Delta} - \frac{\sum m_x \Delta}{\sum \Delta} \quad \dots \quad (5aa)$$

twice the loads for which m_x is wanted. Opposite the center of this load line take a pole at any convenient distance H , and construct an equilibrium polygon in the usual manner. The value of m_x at any point equals the ordinate of the equilibrium polygon at that point multiplied by the assumed H . In most cases it is more satisfactory to compute the values of m_x .

15. A Graphical Determination of Some of the Factors in the Equation for H_1 for Vertical Loads.—The expression (2a) in Art. 13 may be written

$$H_1 = \frac{\Sigma y \Delta \left(m_x - \frac{\Sigma m_x \Delta}{\Sigma \Delta} \right)}{2 \Sigma y \Delta \left(y - \frac{\Sigma y \Delta}{\Sigma \Delta} \right)}$$

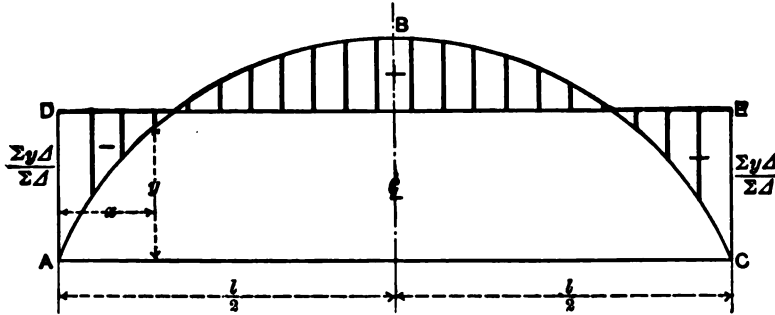


FIG. 5.

Let ABC , Fig. 5, represent the axis of the arch. Compute $\frac{\Sigma y \Delta}{\Sigma \Delta}$ and lay off its value upward from A and C . Then draw DE . The heavy ordinates will be the values of $y - \frac{\Sigma y \Delta}{\Sigma \Delta}$.

In like manner let $A'B'C'$ represent the equilibrium

polygon where the ordinates are $\frac{m_x}{H}$. Draw $D'E'$ as indicated in Fig. 6. Then the heavy ordinates represent $\frac{1}{H} \left(m_x - \frac{\Sigma m_x d}{\Sigma d} \right)$.

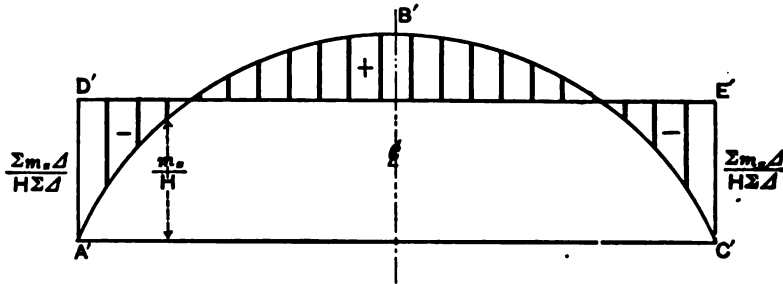


FIG. 6.

16. A Graphical Representation of the Second Term in the Expression for M_1 for Vertical Loads.—The second term of (5a) for convenience we will designate as m_1 , or

$$m_1 = \frac{\Sigma m_x d \left(x - \frac{\Sigma x^2 d}{\Sigma x d} \right)}{\Sigma d \left(\frac{l}{2} - \frac{\Sigma x^2 d}{\Sigma x d} \right)} = \frac{\Sigma m_x d}{\Sigma d} - \frac{\Sigma m_x d \left(x - \frac{1}{2} l \right)}{\Sigma d \left(\frac{l}{2} - \frac{\Sigma x^2 d}{\Sigma x d} \right)}$$

where $m_x = R_1 x - \Sigma P(x-a)$.

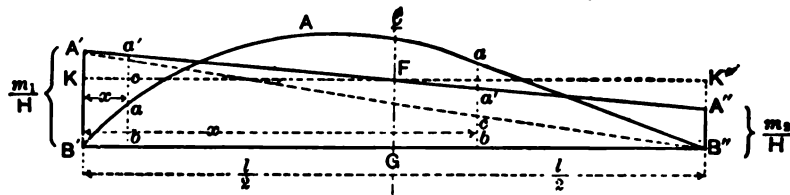


FIG. 7.

Let the common equilibrium polygon for the given loads be represented by $B'AB''$ in Fig. 7.

We will now prove that when the line $A'A''$ is drawn, so that $\Sigma(aa')\Delta = 0$ and $\Sigma(aa')x\Delta = 0$, the distance $A'B' = \frac{m_1}{H}$. When $\Sigma(aa')\Delta = 0$ it at once follows that $\Sigma(ab)\Delta = \Sigma(a'b)\Delta$. From Fig. 7,

$$aa' = a'b - ab = a'c + cb - ab,$$

$$a'c = \frac{m_2 x}{H l} \quad \text{and} \quad cb = \frac{m_1 l - x}{H l}.$$

Hence, since $ab = \frac{m_x}{H}$,

$$aa' = \frac{m_2 x}{H l} + \frac{m_1 l - x}{H l} - \frac{m_x}{H};$$

multiplying through by Δ ,

$$aa'\Delta = \frac{m_2 x}{H l} \Delta + \frac{m_1 l - x}{H l} \Delta - \frac{m_x}{H} \Delta;$$

also,

$$(aa')x\Delta = \frac{m_2 x^2}{H l} \Delta + \frac{m_1 (l-x)x}{H l} \Delta - \frac{m_x x}{H} \Delta.$$

Making $\Sigma(aa')\Delta = 0$ and $\Sigma(aa')x\Delta = 0$ and eliminating $\frac{m_2}{H}$ between the resulting equations, we obtain

$$m_1 = \frac{\Sigma m_x x \Delta - \Sigma m_x \Delta \frac{\Sigma x^2 \Delta}{\Sigma x \Delta}}{\Sigma x(l-x)\Delta - \Sigma(l-x)\Delta \frac{\Sigma x^2 \Delta}{\Sigma x \Delta}} l.$$

This readily reduces to

$$m_1 = \frac{\Sigma m_x \Delta \left(x - \frac{\Sigma x^2 \Delta}{\Sigma x \Delta} \right)}{\Sigma \Delta \left(\frac{l}{2} - \frac{\Sigma x^2 \Delta}{\Sigma x \Delta} \right)},$$

the second term in the expression for M_1 in Art. 13.

From the above demonstration it at once follows that

$$m_2 = \frac{\Sigma m_x \Delta \left(l - x - \frac{\Sigma x^2 \Delta}{\Sigma x \Delta} \right)}{\Sigma \Delta \left(\frac{l}{2} - \frac{\Sigma x^2 \Delta}{\Sigma x \Delta} \right)}.$$

In Fig. 7

$$FG = \frac{m_1 + m_2}{2H} = \frac{\Sigma m_x \Delta}{\Sigma \Delta},$$

and

$$A'K = A''K = \frac{\Sigma m_x \Delta \left(x - \frac{1}{2}l \right)}{\Sigma \Delta \left(\frac{l}{2} - \frac{\Sigma x^2 \Delta}{\Sigma x \Delta} \right)}.$$

17. A Graphical Representation of M_x for Vertical Loads only.—From (III),

$$\frac{M_x}{H_1} = \frac{M_1}{H_1} \frac{l-x}{l} + \frac{M_2}{H_1} \frac{x}{l} - y + \frac{m_x}{H_1}.$$

In Fig. 8 let ABC be the axis of the arch and $A'bC'$ the equilibrium polygon for a single load drawn with a pole distance of H_1 and located so that $A'A'' = \frac{m_1}{H_1}$ and

$C'C'' = \frac{m_2}{H_1}$. Then

$$AA' = A'A'' - AA'' = \frac{m_1}{H_1} - \frac{\Sigma y \Delta}{\Sigma \Delta},$$

or

$$H_1(AA') = m_1 - H_1 \frac{\sum y \Delta}{\sum \Delta} = -M_1.$$

In like manner $H(CC') = +M_2$.

Let $\frac{M_1}{H_1} = y_1$ and $\frac{M_2}{H_1} = y_2$. Then

$$\begin{aligned} \frac{M_x}{H_1} &= y_1 \frac{l-x}{l} + y_2 \frac{x}{l} - y + \left(\frac{m_x}{H_1} = be \right) \\ &= -df + ef - ad + be = -ab. \end{aligned}$$

Therefore $M_x = H_1(ab)$, or the bending moment at any

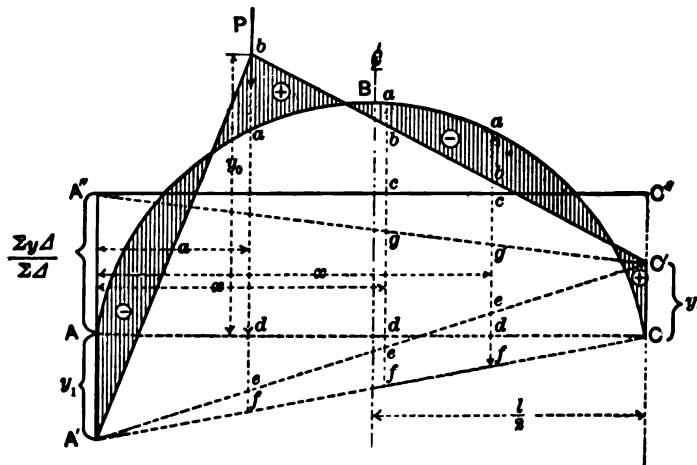


FIG. 8.

point equals the ordinate between the axis of the arch and the true equilibrium polygon.

Usually the ordinate ab is so small that no very accurate results can be obtained from a drawing. From the

above demonstration it is evident that

$$ab = ac - cb = \left\{ y - \frac{\Sigma y d}{\Sigma d} \right\} - \left\{ \frac{m_x}{H_1} - \frac{m_1 l - x}{H_1 l} - \frac{m_2 x}{H l} \right\},$$

quantities which can be quite accurately determined from a large-scale drawing. However, more satisfactory results will always be obtained by algebraic methods, using graphics merely as a check.

18. The Loads Producing a Maximum M_x and the Ordinates Locating the True Equilibrium Polygon for a Single Vertical Load.—In Fig. 8 take moments of all the forces upon the left of b about b , or

$$M_1 - H_1 y_0 + V_1 a = 0. \quad \therefore y_0 = \frac{M_1}{H_1} + \frac{V_1 a}{H_1},$$

which becomes

$$y_0 = y_1 + \frac{V_1 a}{H_1}.$$

Since y_1 and y_2 are known, Art. 17, the equilibrium polygon is completely located.

Assume that we wish to determine the loading which will produce the maximum positive and negative moments, respectively, at the point K , Fig. 9. Now, since the moment is proportional to the ordinate between the arch axis and the equilibrium polygon, it is evident that the moment will be zero for any load which has its equilibrium polygon passing through K . As shown in Fig. 9, the shaded portion of the span loaded will cause one kind of moment and the unshaded portion loaded will produce

the opposite kind. In case the moving load is a uniform load these two moments will be greatest at this point.

For arch ribs which do not have too great a variation in section from the crown the absolute maximum moment

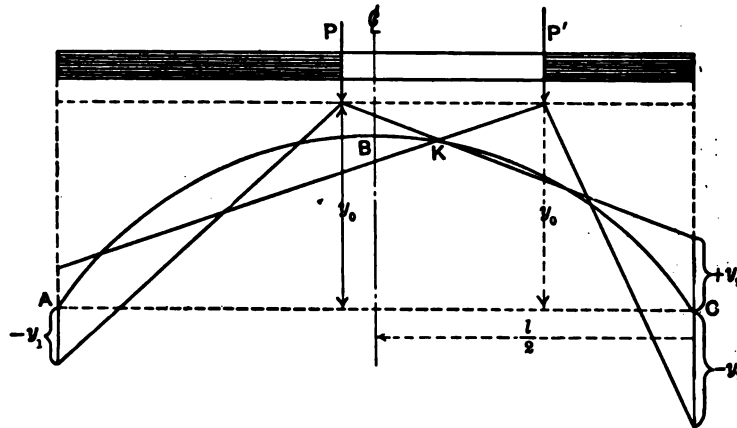


FIG. 9.

between the crown and the support is between 0.25 and 0.35, the span for uniform moving loads, while the greatest moment of all is at the support.*

It also appears from examples solved in detail that sensibly the same loading can be used in both cases. The division of the loads is indicated by the sign of M_1 , the moment at the support. Loads which produce *positive* moments at the left support will produce *negative* moments at about the three-quarter point of the span.

19. The Effect of the Axial Stress for Vertical Loads only.—The effect of the axial or direct stress is to *shorten* the arch rib, Art. 3, and may be considered, with a close degree of

* "A Treatise on Arches," by Malverd A. Howe. John Wiley & Sons, New York.

approximation, to a certain drop of temperature. Consequently, if we can determine the horizontal thrust produced by axial stress due to any particular loading, we can compute the resulting stresses in the arch rib. We are not concerned with the actual magnitudes of the axial stress at the various points of the rib if we can find the horizontal thrust, The moments and stresses will at once follow by methods outlined for temperature changes.

Formulas which include the effect of the axial stress show that in the expression for H_1 the numerator is so slightly affected that the axial stress terms can be neglected without serious error.*

For convenience let N represent the numerator of H_1 ; then the common expression is

$$H_1 = \frac{N}{2 \Sigma y d \left(y - \frac{\Sigma y d}{\Sigma d} \right)}$$

With the effect of the axial stress included this becomes

$$H_1' = \frac{N}{2 \Sigma y d \left(y - \frac{\Sigma y d}{\Sigma d} \right) + 2 \Sigma \frac{\delta x}{F} \cos \phi}$$

Let H_a = the horizontal thrust due to the axial stress; then

$$H_a = H_1 - H_1', \text{ or } \frac{H_a}{H_1} = 1 - \frac{H_1'}{H_1}$$

$$\therefore H_a = H_1 \left(1 - \frac{2 \Sigma y d \left(y - \frac{\Sigma y d}{\Sigma d} \right)}{2 \Sigma y d \left(y - \frac{\Sigma y d}{\Sigma d} \right) + 2 \Sigma \frac{\delta x}{F} \cos \phi} \right). \quad (6)$$

* "A Treatise on Arches," by Malverd A. Howe. John Wiley & Sons, New York.

This value of H_a , which is quickly obtained, is to be treated as the horizontal thrust due to a drop of temperature which would produce a thrust of equal magnitude.

20. Loads which Produce Maximum Values of T_x or Radial Shear.

$$T_x = (V_1 - \Sigma P) \cos \phi - H_1 \sin \phi.$$

For loads upon the right of B , Fig. 10,

$$T_x = V_1 \cos \phi - H_x \sin \phi.$$

If S_1 is normal to the radius passing through B , it is evident from the figure that $T_x = 0$, since $V_1 \cos \phi = H_1 \sin \phi$. Hence all loads upon the right of P'' will produce one kind

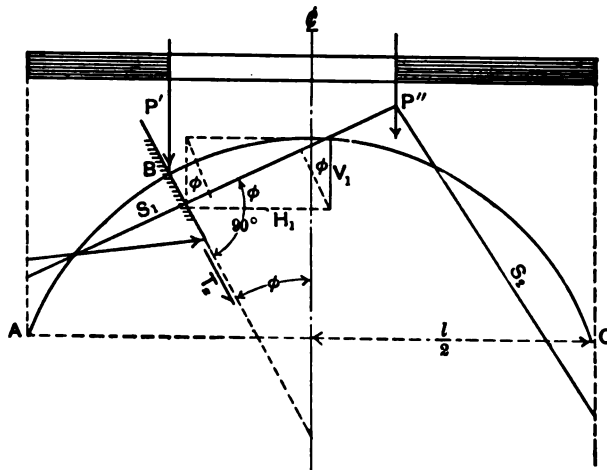


FIG. 10.

of shear and those upon the left the opposite kind until P' is reached. Since $V_1 - \Sigma P$ results in a downward force, the loads upon the left of B produce the same kind of shear as those upon the right of P'' . The fields of loading

producing the same kind of shear are clearly shown in Fig. 10.

21. Formulas which Apply for Horizontal Loads only.—

From Art. 10,

$$h_1 = \frac{1}{2} \left\{ Q + \frac{\Sigma m_x \Delta \left(y - \frac{\Sigma y \Delta}{\Sigma \Delta} \right)}{\Sigma y \Delta \left(y - \frac{\Sigma y \Delta}{\Sigma \Delta} \right)} \right\}, \dots \dots (3a)$$

where

$$m_x = \Sigma Q(y-b). \quad y > b.$$

From Art. 12,

$$M_1 = h_1 \frac{\Sigma y \Delta}{\Sigma \Delta} - \frac{\Sigma m_x \Delta \left(x - \frac{\Sigma x^2 \Delta}{\Sigma x \Delta} \right)}{\Sigma \Delta \left(\frac{l}{2} - \frac{\Sigma x \Delta}{\Sigma \Delta} \right)}, \dots \dots (5c)$$

where

$$m_x = Q \frac{b}{l} + \Sigma Q(y-b). \quad y > b.$$

$$M_x = M_1 \frac{l-x}{l} + M_2 \frac{x}{l} - h_1 y + Q \frac{b}{l} x + \Sigma Q(y-b),$$

$$V_1 = \frac{M_2 - M_1}{l} + Q \frac{b}{l}.$$

The above formulas are for a single horizontal load which produces a thrust at the left support. In practice the reverse may be the case, but the solution of the equations presents no difficulties if care is taken to give m_x its proper sign. Of course, when there is a *thrust* at the *left* support there will be a *pull* at the *right* support.

22. A Graphical Representation of M_x for a Single Horizontal Load.—From (III),

$$M_x = M_1 + V_1x - h_1y + Q(y - b). \quad y > b,$$

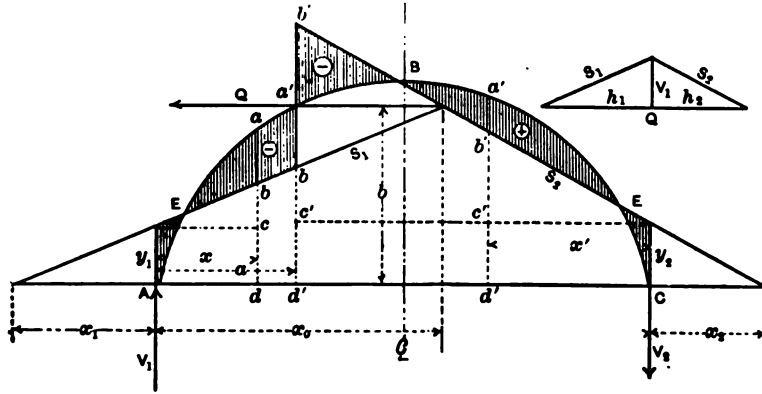


FIG. 11.

For all points between $x = 0$ and $x = a$

$$M_x = M_1 + V_1x - h_1y,$$

or
$$\frac{M_x}{h_1} = \frac{M_1}{h_1} + V_1 \frac{x}{h_1} - y.$$

Let the equilibrium polygon be constructed as shown in Fig. 11, where $y_1 = \frac{M_1}{h_1}$, $y_2 = \frac{M_2}{h_2}$, $x_1 = \frac{M_1}{V_1}$, and $x_2 = \frac{M_2}{V_2}$.

On the left of Q , $cd = y_1 = \frac{M_1}{h_1}$, $bc = \frac{V_1x}{h_1}$; hence

$$\frac{M_x}{h_1} = ab = cd + cb - y.$$

For points upon the right of Q we can write

$$-M_x = M_2 + V_2x' - h_2y,$$

or

$$-\frac{M_x}{h_2} = \frac{M_2}{h_2} + \frac{V_2 x'}{h_2} - y.$$

$$c'd' = y_2 = \frac{M_2}{h_2}, \quad b'c' = \frac{V_2 x'}{h_2}.$$

$$\therefore -\frac{M_x}{h_2} = b'a' = c'd' + b'c' - y.$$

The character of the bending moment is clearly shown in Fig. 11 by the shaded areas. The points E, E' , etc., are the points of zero moment.

From Fig. 11,

$$x_1 : y_1 :: x_1 + x_0 : b,$$

or

$$x_0 = (b - y_1) \frac{x_1}{y_1} = \left(b - \frac{M_1}{h_1}\right) \frac{h_1}{V_1}.$$

If x_0 is computed, it will check the previous work for locating the equilibrium polygon.

23. A Graphical Representation of M_x for Two Equal and Symmetrical Horizontal Loads.—In (3a) m_x for the left

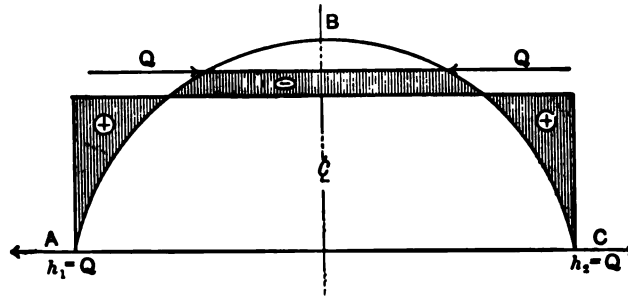


FIG. 12.

load (Fig. 12) will evidently equal m_x for the load upon the right, but will be opposite in character; therefore

$h_1 = Q = h_2$ in magnitude. h_1 and h_2 will be opposite in direction.

Also, from (5c),

$$M_1 = h_1 \frac{\sum y \Delta}{\sum \Delta} = Q \frac{\sum y \Delta}{\sum \Delta}.$$

From (III),

$$M_x = M_1 + V_1 x - h_1 y + \sum_{x > a} Q(y - b),$$

which becomes, since $V_1 = 0$,

$$M_x = Q \left\{ \frac{\sum y \Delta}{\sum \Delta} - y + y - b \right\} = Q \left(\frac{\sum y \Delta}{\sum \Delta} - b \right)$$

for all points between the loads, and

$$M_x = Q \left\{ \frac{\sum y \Delta}{\sum \Delta} - y \right\}$$

for all points between the support and a load. This is shown by the shaded ordinates in Fig. 12.

24. Arch Ribs for which Δ is Constant.—Since $\Delta = \frac{\delta s}{I}$, it is evident that if we so divide the axis in parts of δs_1 , δs_2 , etc., in length, that the quotient of each δs by the moment of inertia of the section of the rib for this distance is constant for all sections, the value of Δ will be constant. Under this assumption the formulas to be given later can be applied to—

1° Arch ribs of constant cross-section when the axis is divided in equal parts, each δs in length.

2° Parabolic arch ribs for which $EI \cos \phi$ is constant

when the *span* is divided into equal parts each δx in length.

3° Any arch rib for which $\frac{\delta s}{l}$ is constant when the axis is divided into spaces δs , δs_1 , δs_2 , etc., so that the *moment of inertia* (usually taken at the center of each division) for each division bears a constant ratio to the length of the division δs .

25. Formulas for H_1 and M_1 for Vertical Loads when l is Constant.—Remembering that $\frac{\Sigma l}{l} = n$, the number of divisions, we have at once from (2a), Art. 13,

$$H_1 = \frac{\frac{1}{2} \Sigma m_x \left(y - \frac{\Sigma y}{n} \right)}{\Sigma y \left(y - \frac{\Sigma y}{n} \right)} = \frac{\frac{1}{2} \Sigma m_x (y - y_a)}{\Sigma y (y - y_a)}$$

$$= \frac{\frac{1}{2} \Sigma y \left(m_x - \frac{\Sigma m_x}{n} \right)}{\Sigma y (y - y_a)}, \dots \dots \dots (2b)$$

where $m_x = Px - \Sigma P(x - a)$, $x > a$, and

$$* M_1 = H_1 y_a - \frac{\Sigma m_x \left(x - \frac{\Sigma x^2}{\Sigma x} \right)}{n \left(\frac{l}{2} - \frac{\Sigma x^2}{\Sigma x} \right)}.$$

Also

$$\left. \begin{matrix} M_1 \\ M_2 \end{matrix} \right\} = H_1 y_a - \left[\frac{\Sigma m_x}{n} \pm \frac{\Sigma m_x \left(x - \frac{l}{2} \right)}{n \left(\frac{l}{2} - \frac{\Sigma x^2}{\Sigma x} \right)} \right]. \quad (5d)$$

* When the *span* is divided into n parts δx each and $x = \frac{\delta x}{2}$, $\frac{3}{2} \delta x$, $\frac{5}{2} \delta x$, etc.,

$$\frac{\Sigma x^2}{\Sigma x} = \frac{n(4n^2 - 1)}{12} (\delta x)^2 \quad \text{and} \quad n \left(\frac{l}{2} - \frac{\Sigma x^2}{\Sigma x} \right) = -\frac{n-1}{6} \delta x.$$

where $m_x = R_1 x - \sum_{x>a} P(x-a)$ and $\Sigma x = \frac{1}{2}nl$. (See Art. 88.)
 For any symmetrical loading

$$M_1 = H_1 y_a - \frac{\Sigma m_x}{n} \dots \dots \dots (5dd)$$

$$H_1 = \frac{1}{2}(\text{total load}).$$

26. Formulas for h_1 and M_1 for Horizontal Loads when Δ is Constant.—From Art. 21,

$$h_1 = \frac{1}{2} \left\{ Q + \frac{\Sigma m_x (y - y_a)}{\Sigma y (y - y_a)} \right\}, \dots \dots \dots (3b)$$

where $m_x = \sum Q(y-b)$, $y > b$.

$$M_1 = h_1 y_a - \frac{\Sigma m_x \left(x - \frac{\Sigma x^2}{\Sigma x} \right)}{n \left(\frac{l}{2} - \frac{\Sigma x^2}{\Sigma x} \right)}, \dots \dots \dots (5e)$$

where $m_x = Q \frac{b}{l} + \sum Q(y-b)$, $y > b$, and
 $\Sigma x = \frac{1}{2}nl$.

For any symmetrical loading

$$M_1 = h_1 y_a \dots \dots \dots (5ee)$$

$$h_1 = \frac{1}{2}(\text{total load}).$$

27. Formulas for H_t and M_1 for Changes of Temperature when Δ is Constant.—From Art. 11,

$$H_t = \frac{e t^\circ E l}{\Delta \Sigma y (y - y_a)}$$

From Art. 12,

$$M_1 = H_t y_a.$$

28. Effect of the Axial Stress when Δ is a Constant.—From Art. 19,

$$H_a = H_1 \left(1 - \frac{\Sigma y(y - y_a)}{\Sigma y(y - y_a) + \Sigma \frac{\delta x \cos \phi}{F\Delta}} \right),$$

where H_1 is the horizontal thrust obtained from formulas which neglect the effect of the axial stress.

29. Determination of N_x , the Normal or Axial Stress, and T_x the Radial Shear at any Point.—In Fig. 13 let S_x be the

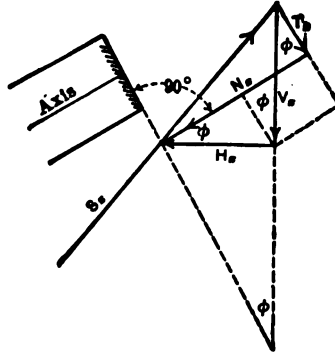


FIG. 13.

stress in the equilibrium polygon in position and magnitude; then we have at once

$$N_x = V_x \sin \phi + H_x \cos \phi,$$

where $V_x = V_1 - \Sigma_{x > a} P$ and $H_x = H_1 - \Sigma_{x > a} Q$.

Also, $T_x = V_x \cos \phi - H_x \sin \phi,$

V_x and H_x having the values given above.

30. A Graphical Determination of N_x and T_x for Vertical Loads.—In Fig. 14 let S_2 be the side of the equilibrium

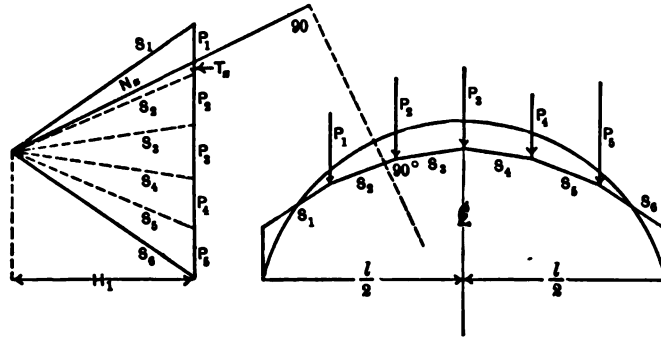


FIG. 14.

polygon cut by the section where N_x and T_x are desired. From the pole in the force diagram draw a line normal to the section, and at the upper extremity of S_2 drop a perpendicular upon this line, forming a right triangle with S_2 as the hypotenuse. The two legs of the triangle will be the magnitudes of N_x and T_x , as indicated in the figure.

31. Fiber Stresses for any Section.—(a) In the case of a steel rib, to which the formulas given above probably more nearly apply than for ribs of any other material, the formula based upon the common theory of flexure may be used. This formula may be written

$$p = \frac{N_x}{F} \pm \frac{M_x z}{I} = \frac{N_x}{F} \pm M_x \frac{1}{S}$$

where p = the stress in the outer fiber;

N_x = the axial stress or the normal component of the resultant stress upon the section being considered;

F = the area of the section;

M_x = the bending moment at the section;

z = distance of outer fiber from the neutral axis;

I = the moment of inertia of the section;

$S = \frac{I}{z}$ = the "section modulus."

The above formula considers that the modulus of elasticity E is constant throughout the section for all intensities which do not exceed the elastic limit of the steel.

(b) If the arch rib is composed of natural stone voussoirs, it will be incapable of resisting tension at the joints owing to the uncertainty of the adhesion between the mortar and the stone. Consequently the above formula applies only when the resultant pressure upon any joint lies within the middle third of the joint; that is, the entire joint or section will be in compression.

In case the resultant does not lie within the middle third but does lie within the section we may yet have a perfectly stable structure. Suppose that the resultant cuts the section outside the middle third but not outside the stone, as in Fig. 15.

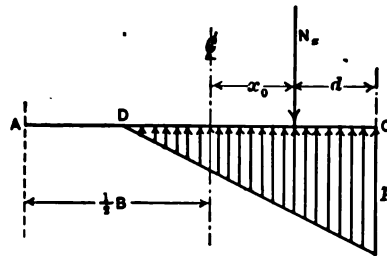


FIG. 15.

Let d = distance from edge C . The pressure may be assumed to be uniformly varying from C towards A , so that N_x will pass through the center of gravity of the intensities;

then

$$N_x = \frac{pCD}{2} = \frac{3pd}{2} = \frac{3}{2}p(\frac{1}{2}B - x_0),$$

or

$$p = \frac{2N_x}{3d}.$$

As long as p is so small that there is no danger of the stone being crushed the arch is stable. It is a recognized fact that this condition exists in a large number of arches now standing.

(c). Arch ribs constructed of plain concrete are capable of resisting a limited amount of tension, but it is better to treat them the same as if of natural stone. The ring may crack entirely through and yet be perfectly stable. Small rods of steel distributed laterally and circumferentially near the surfaces of the rib will prevent a considerable number of small cracks which might be produced by change of shape after removing the false work or changes of temperature.

(d) Reinforced-concrete ribs have circumferential steel rods or bars placed a short distance from the upper and lower surfaces of the rib to resist any tension which may occur. Even in this case the best designers limit the equilibrium polygons for dead and live load to nearly the middle third of the ring, so that there will be no tensile stresses.

The actual distribution of stress on a section of reinforced concrete is at present unknown. Many experiments have been made upon beams reinforced at the bottom, and various formulas advanced to aid in designing such beams, all giving fairly rational results. The elastic theory of the arch assumes that the linear arch is the neutral axis

of the material arch, and any great departure from the assumed form will affect the stresses; hence, since the experiments upon beams indicate that the neutral axis shifts for different loadings, it is evident that great refinement either in the calculation of stresses or the distribution of stress over a section is entirely out of place.

In the Melan system of reinforcement steel ribs are used spaced about 3 feet on centers. Here the steel may be assumed to resist the bending moments, and the concrete the direct compression. The concrete also prevents the steel ribs from buckling. It is questionable if the above assumption actually obtains. It is well on the side of safety, however.

One of the simplest methods in use merely replaces the steel reinforcement by an equivalent area of concrete and then employs the formula given above.

If the modulus of steel is E_s and that of concrete E_c , then the equivalent area of concrete will be $\frac{E_s}{E_c} = n$ times the actual area of the steel. The fiber stress in the steel will actually be n times the fiber stress found for concrete in the position the steel occupies.

If a equals the area of the steel and A the area of the concrete, then

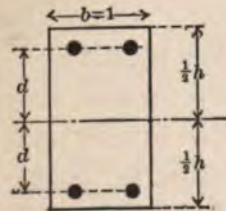


FIG. 16.

$$F = A + na,$$

$$I = \frac{h^3}{12} + nad^2,$$

and hence

$$p = \frac{N_x}{A + na} \pm M_x \frac{h}{\frac{h^3}{6} + 2nad^2}.$$

This formula assumes that the concrete resists tensile stresses which it is not capable of doing to any great extent, its tensile strength being somewhere near one tenth the compressive strength.

The above formula may be applied until the maximum safe tensile strength of the concrete or steel is reached, and then the method employed for stone arches when the resultant pressure lies within the ring until the safe compressive strength is reached.

All of the methods are quite approximate for reasons given above, and since the modulus of elasticity of concrete is not constant.

32. Reliability of the Elastic Theory when Applied to Steel Ribs.—There is but little doubt that the theory is correct for solid steel ribs having a depth which is comparatively small when compared with the radius of curvature, when the loading is applied at isolated points through vertical posts which are unbraced in the plane of the rib. The modulus of elasticity of steel is quite constant and it is capable of resisting both tension and compression. The deformation of steel either under direct stress or bending follows very closely that found by theory. In truth the theory is probably as exact for steel arch ribs as the common theory of flexure is for steel beams.

33. Reliability of the Elastic Theory when Applied to Ribs Composed of Natural Stone Voussoirs.—Here we have a material which cannot be trusted in tension; this is especially true of the joints between the voussoirs. In direct compression the modulus of elasticity is not constant but varies with the load, and then not according to any very definite law. However, within narrow limits it may be

considered as constant without serious error. Such being the case we may apply the elastic theory with confidence as long as the *equilibrium polygon lies within the middle third* of the ring, or when every section or joint is subjected to compressive stresses. We may also consider the theory as applicable when the polygon *lies within the ring*, provided the compression is not sufficient to crush the stone.

In case the equilibrium polygon passes without the ring at any joint, theoretically a free arch ring would fail. In practice this condition often obtains in stone bridges, yet they do not collapse or show serious signs of failure. It is true that some joints open slightly, but this appears to have little if any detrimental effect. This apparently proves that the elastic theory cannot be applied under such conditions. It is no fault in theory, but a failure to carry out in practice the assumptions made in applying the theory or basing the application of the theory upon wrong assumptions. For example, the elastic theory assumes a free rib capable of changing shape under various loads, while in practice the great majority of stone bridges have the ring securely clamped beneath the solid spandrel walls and by a mass of concrete backing of varying thickness. Such a structure may be said to become more and more stable under an increasing uniform loading, until the safe crushing strength of the arch stone is reached. This backing exerts a great passive force preventing any upward movement of the arch ring. It is evident, then, that if the ring is stable under the elastic theory assuming a free ring, it will be quite safe when clamped as explained above, and furthermore it does not necessarily follow, because the equilibrium polygon lies without the ring proper

at some joint, that the arch will fail, for the spandrel masonry will prevent a change in shape of the rib to any great extent. The question at once presents itself: What does happen? Probably the masonry readjusts itself until equilibrium exists, the arch joints are compressed unequally, and the friction of the spandrel masonry aids very materially in reducing the opening or compression of the joints at the extrados—in fact introducing an effective tension or compression, as the case may be.

Again, in bridges having a considerable depth of side wall above the crown a large portion, if not all, of the ring under the walls might be removed in many cases without complete failure, the wall masonry forming an arch in itself. In conclusion, for the dead and live loads the arch ring which is safe when assumed to be a free ring will be safe under the usual construction of the spandrels, or if the loads are transmitted to the ring through verticals as in steel structures. All arch rings should be so designed, using a factor of safety of *ten* for the crushing strength of the stone.

Provision for the stresses produced by changes in temperature was entirely neglected by the old builders, and for that matter by practically all modern builders. A temperature change of but $\pm 40^{\circ}$ F., according to the elastic theory, produces a very wide range of stress both of tension and compression. These are a maximum at the supports. If any considerable change of temperature actually occurs and the elastic theory can be correctly applied, the arch ring, if free, should collapse. As stone arch bridges have stood for thousands of years without failure, we must conclude that either the stone does not

change in temperature through anything like the range of change in the air, or the arch ring adjusts itself with the aid of the spandrel masonry so as to resist the temperature stresses without excessive unit stresses, or the theory does not apply. Probably all three conclusions are more or less true. Even in the Northern States it is doubtful if any of the stonework, excepting possibly the more exposed surfaces, has a change of temperature of a great range,— $\pm 20^{\circ}$ F., say. The ring without any doubt adjusts itself to suit new conditions.

To show how small a change would be required in the mortar joints alone to provide for a change of 40° F., take a free rib of granite having a span of 60 ft. and a rise of 8 ft. (measurements taken for the axis). The length of the rib axis is 62.8 ft. The coefficient of expansion for 1° F. is 0.000038. Then the total change in length of the rib is 0.0095 ft.; if there are 42 joints, the change in each joint would be 0.0002 ft. .0024 in., which is too small to be readily detected. Of course the joints do not all distort the same. Again, assume the rib under masonry spandrel walls, and let there be an increase of 40° F. in temperature, and also assume that the rib cannot rise; then the entire temperature effect must be used up in-compressing the ring. The change in length per unit is $40(0.000038) = 0.0015$. If the $E = 6800000$, the stress per square inch is a little over 1000 lbs. This might be increased to 10000 lbs. without the granite being crushed, even with the dead- and live-load stresses added.

Considering our ignorance of the actual temperature changes and the behavior of the stone under these changes, it is useless to attempt any theoretical treatment until our

knowledge of the subject has been very much increased. The temperature stresses appear to be able to take care of themselves as long as the rib is stable for the dead and live loads.

34. Reliability of the Elastic Theory when Applied to Plain Concrete Ribs.—Here we have a material which is fully as variable in its physical qualities as natural stone. Generally we have no joints to consider and no masonry spandrel backing, but we do have monolithic spandrel side walls clamping the rib, in many instances. As concrete resists tensile stresses but indifferently, it is not safe to permit more than *one tenth* its safe compressive strength in designing. As this amounts to about 50 lbs. per square inch, it may as well be neglected entirely, and the rib designed for the dead and live loads so that no tension can exist at any section.

The effects of changes of temperature are as uncertain as in stone arches. Having no joints, the ring cannot readily adjust itself, and hence probably resists some tension. As the modulus of elasticity is much less than for natural stone, and the coefficient of expansion but some 60% greater, the theoretical stresses are very much smaller. For free rings no tension exceeding 50 lbs. per square inch should be allowed under any conditions, unless the concrete is reinforced with steel to prevent cracking. At present there appears to be no rational way of determining the amount of steel required so all that can be done is to experiment and follow previous builders where they have been successful. If the rib should crack through, it would not necessarily mean failure, as then the behavior would follow that of a voussoir ring.

35. Reliability of the Elastic Theory when Applied to Reinforced Concrete Ribs.—Concrete when reinforced with steel is very much more reliable than concrete without the steel. The principal difficulty experienced is the location of the neutral axis of any particular section. The location without any doubt shifts about under the action of different loads. As the elastic theory assumes the arch axis to pass through the neutral axis of each section of the rib, it is evident that we must assume the axis to lie at the center of gravity of the section and treat the material according to the common theory of flexure.

While a reinforced rib will safely resist tension by virtue of the steel, yet the best designers so proportion the arch rib that it is never subjected to tension under dead and live loads. For temperature stresses the compression in the concrete must not exceed about 800 pounds per square inch, including the effect of the dead and live loads. Under this assumption the concrete may crack on the tension side, and the steel resist all of the tension.

Even when considering the difficulties briefly mentioned above and our almost absolute ignorance of the actual distribution of stress over a reinforced section, we are compelled to accept the elastic theory as our best guide in designing reinforced-concrete ribs.

36. Reliability of the Elastic Theory: Summary.—For steel ribs it is without doubt quite reliable. For natural stone, concrete, and reinforced concrete the theory can be used with confidence as long as no tensile stresses occur in the rib. When tensile stresses obtain the theory applied under the usual assumptions is but an approximation.

37. Depth of the Arch Rib.—This must be assumed from the best data available, and then calculations made to see if it will answer under all conditions of loading and changes of temperature. If found necessary, the rib can be modified somewhat without making new calculations by changing the moments of inertia of all sections in the same ratio. The dead- and live-load stresses will remain sensibly unchanged, the change in weight of the rib being very small in comparison with the total dead load. The temperature and axial thrust stresses will be slightly modified. The question of the necessity of a new calculation must be decided by the designer according to his best judgment. In Table II are given the data for a large number of arch ribs to aid in assuming the dimensions of a proposed design.

The articles immediately following give the principal empirical formulas for the dimensions of arch rings, etc.

38. Empirical Formulas for the Thickness of the Ring at the Crown in Stone Arches.—Many formulas have been advanced for the depth of the arch ring at the crown. These are usually based upon the dimensions of arches constructed, and hence they merely indicate that an arch built like one which has been standing some time will probably stand also.

NOMENCLATURE.

t_0 = depth of arch ring at the crown, in feet;

R = radius of curvature of intrados at the crown, in feet;

l = clear span of arch, in feet;

f = clear rise of arch, in feet.

*Trautwine's Formulas.**—The following formulas apply to circular and elliptical arches:

For first-class cut stone:

$$t_0 = 0.25\sqrt{R + 0.5l} + 0.2.$$

For second-class work:

$$t_0 = 0.281\sqrt{R + 0.5l} + 0.225.$$

For brickwork or fair rubble:

$$t_0 = 0.333\sqrt{R + 0.5l} + 0.267.$$

Low's Formula: †

$$t_0 = 0.125\sqrt{10(l-f) + 2H},$$

where H = the surcharge above the extrados at the crown.

Rankine's Formulas:

$$t_0 = \sqrt{0.12R} \text{ for a single arch;}$$

$$t_0 = \sqrt{0.17R} \text{ for an arch in a series.}$$

Perronnet's Formula for circular or elliptical arches: ‡

$$t_0 = 1 + 0.035l.$$

Dejardin's Formulas for circular arches: ‡

$$\text{For } \frac{f}{l} = \frac{1}{2} \dots \dots \dots t_0 = 1 + 0.10R.$$

$$\text{For } \frac{f}{l} = \frac{1}{6} \dots \dots \dots t_0 = 1 + 0.05R.$$

* Trautwine's "Engineer's Pocket-book."

† Engineering News, June 15, 1905.

‡ From paper by E. Sherman Gould, Van Nostrand's Mag., vol. xxix, p. 450. 1883.

For $\frac{f}{l} = \frac{1}{8}$ $t_0 = 1 + 0.035R$.

For $\frac{f}{l} = \frac{1}{10}$ $t_0 = 1 + 0.02R$.

*Dejardin's Formula * for elliptical and basket-handled arches:*

For $\frac{f}{l} = \frac{1}{3}$ $t_0 = 1 + 0.07R$.

*Croizette-Desnoyer's Formulas:**

For $\frac{f}{l} > \frac{1}{6}$ $t_0 = 0.50 + 0.28\sqrt{2R}$.

For $\frac{f}{l} = \frac{1}{6}$ $t_0 = 0.50 + 0.26\sqrt{2R}$.

For $\frac{f}{l} = \frac{1}{12}$ $t_0 = 0.50 + 0.20\sqrt{2R}$.

For elliptical arches use R for circle having same rise and span.

*German and Russian Practice:**

$$t_0 = 1 + 0.035l + 0.02H,$$

where H = the surcharge over the extrados at the crown, including the moving load if any.

Austrian Specifications for large arches of brick and stone: †

f/l between $\frac{1}{2}$ and $\frac{2}{3}$.

For $l = 30$ metres. . . . $t_0 = 1.1$ m.

For $l = 40$ " $t_0 = 1.4$ "

For $l = 65$ " $t_0 = 2.2$ "

* From paper by E. Sherman Gould, Van Nostrand's Mag., vol. xxix, p. 450. 1883.

† "A Treatise on Arches," by Malverd A. Howe. Wiley.

For $l = 80$ metres $t_0 = 2.7$ m

For $l = 100$ " $t_0 = 3.4$ "

For $l = 120$ " $t_0 = 4.1$ "

39. Thickness of Arch Ring of Stone at the Support.—For semicircular stone arches it is generally assumed that the masonry for 30° from the spring line is self-supporting and consequently has no arch action. If this is so, then the maximum angle which a stone arch ring can be considered to subtend is 60° each way from the crown. If the loading is so arranged that the equilibrium polygon follows the axis of the ring, then the pressures will vary directly as the secant of the angle ϕ ; consequently the ring thickness 60° from the crown should be $t_s = t_0 \sec 60^\circ = 2t_0$.

* *Croizette-Desnoyer's Formulas for segmental arches:*

For $\frac{f}{l} = \frac{1}{6}$ $t_s = 1.40t_0$.

For $\frac{f}{l} = \frac{1}{8}$ $t_s = 1.24t_0$.

For $\frac{f}{l} = \frac{1}{10}$ $t_s = 1.15t_0$.

For $\frac{f}{l} = \frac{1}{12}$ $t_s = 1.10t_0$.

For basket-handled arches:

when $\frac{f}{l} = \frac{1}{3}$ $t_s = 1.80t_0$;

$\frac{f}{l} = \frac{1}{4}$ $t_s = 1.60t_0$;

$\frac{f}{l} = \frac{1}{5}$ $t_s = 1.40t_0$.

* Van Nostrand's Engineering Magazine, vol. xxix, p. 454.

41. Thickness of Piers.—In a series of arches it is customary to use several narrow piers and then introduce a much heavier pier, called an abutment pier. This should be of sufficient strength to resist the thrust from one side without any aid from the arches upon the other side. The thickness will then be the same as if it were an abutment in reality without earth backing. For the regular piers various rules have been used. Twice the thickness of the arch ring at the crown plus a fraction of a foot has been used in very important bridges. Usually piers are from $2\frac{1}{2}$ to 3 times the thickness of the arch ring at the crown.

The vertical load upon piers is not very large when measured in tons per square foot, and as far as strength is concerned they could be made considerably smaller than outlined above. The only horizontal thrust to be resisted is the unbalanced thrust produced by the moving load, unless adjacent arches are of different dimensions. With the exception of high bridges the effect of the wind is of no moment.

42. Remarks concerning Empirical Formulas.—The formulas given in the previous articles are based, for the most part, upon actual structures and will without doubt lead to safe structures if the equivalents in materials and workmanship are held throughout. Apparently the formulas apply to all kinds of stone, as no mention is made of the quality of the materials (excepting Trautwine's formulas) used. Unquestionably the arch rings were constructed of average materials, probably no better if as good as those used now; hence the formulas will be of service in assuming dimensions which can be relied upon as

being safe for structures quite similar to those upon which the formulas are based.

43. **Albula Railroad Practice*** (gage 1 m.).—The following dimensions were used in the construction of a great number of arches on the Albula Railroad.

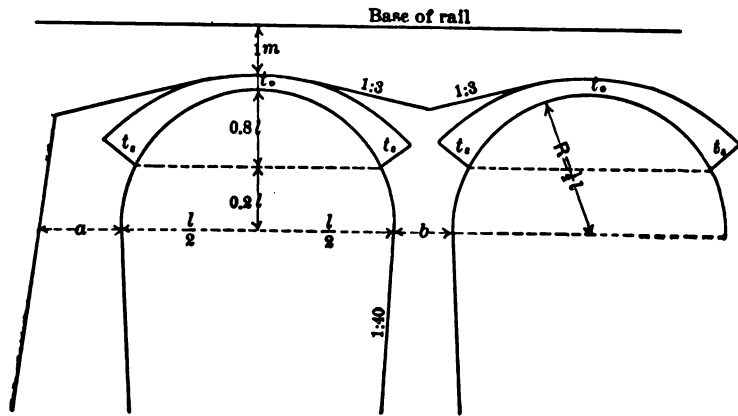


FIG. 18.

Span.....	$l = 6$	8	10	12	15	20	25
Key.....	$t_0 = 0.55$	0.60	0.70	0.75	0.80	0.90	1.00
Spring.....	$t_s = 0.80$	0.90	1.00	1.10	1.20	1.35	1.50
Pier.....	$b = 1.20$	1.35	1.50	1.70	2.10	2.70	3.60
Abutment.....	$a = 1.70$	1.90	2.10	2.80	3.50	4.20	5.30

Twenty-six viaducts were built of the spans given below:

Span.....	$l = 10$	11	12	14	15	16	20	22	25	27	30	42
Number of spans.....	= 33	3	7	1	16	14	15	1	1	1	1	1

(All dimensions are in metres.)

44. **The Dead Load.**—Very little is required in the way of discussion in reference to the dead load for steel ribs. The floor and all supports, and even the lateral systems,

* The Engineer, 1904.

can all be designed and the actual weights computed. There remains, then, only the weight of the rib proper to be estimated. The weight of the assumed rib will be sufficiently close for all purposes, as a large error in the weight of the rib will be comparatively small for the entire load. The weight above the rib is usually transmitted to the rib through verticals extending up to the roadway.

In the case of masonry ribs with the spandrels completely filled with earth, sand, gravel, etc., the actual load supported by the rib is not very definite. If the filling is put in in horizontal layers well compacted, the load upon the ring will certainly not exceed the actual weight of the material, and it is very doubtful if such filling creates any considerable horizontal thrust against the rib. If perfectly dry and clean sand or gravel is employed, then there may be horizontal forces acting against the rib. These will be very small, however, for segmental arches. This thrust can be found according to the theory of earth pressure.*

The consideration of the horizontal thrust of the spandrel filling is a refinement not warranted in works of this class. The weight of the spandrel filling with pavement, arch rib, etc., should be considered as divided into vertical loads, the horizontal projection of δs being the measure of each division. For computations the load may be assumed to act at the center of the projection of δs .

In case the spandrels are partially filled with concrete its weight may be taken as divided into vertical forces.

* "Retaining-walls for Earth," by Malverd A. Howe. John Wiley & Sons, New York.

This is probably not as near the truth as when the fill is made of sand or gravel, but the assumption is on the safe side. Overloading the haunches will cause an upward movement at the crown, and overloading the crown causes the haunches to rise; but when the spandrel filling is partially concrete the *passive* resistance to an upward movement is very much in excess of its weight; so also is that of sand or gravel. The arch rib, then, in this type of bridge is anything but a free member, and consequently any great refinement in its design is time wasted. If we can assure ourselves that the rib is safe by adding a few inches to the thickness of the ring, the very small percentage of extra cost need not be considered at all.

When the roadway is supported by longitudinal walls resting upon the rib, the problem is at least as complex as before, for there is no way of knowing how the weights transmitted by the walls are distributed. The only recourse is to treat the material as in the case of sand or gravel filling.

The use of lateral walls or columns to support the roadway places the problem in a shape to be carefully considered theoretically. The actual magnitudes of the loads can be computed and the points of application to the rib are definitely fixed. For long spans this is unquestionably the best and most economical type which can be built. There is an exception to this in very flat arches where the ring occupies the greater portion of the vertical projection of the bridge.

45. Dead-load Equilibrium Polygon Following the Axis of the Arch Rib.—It is assumed that the rib has been dimensioned and that the fill over the crown is known. Compute

the weight of the shaded portion in Fig. 19 and call it P_1 . Lay off the vertical line DE , and P_1 from D . Draw DO horizontal and CO parallel to the tangent to the arch axis at b . Then from O draw lines parallel to the tangents at c, d, e , etc.; then these lines will cut off on DE the loads P_2, P_3 , etc., for which an equilibrium polygon will pass

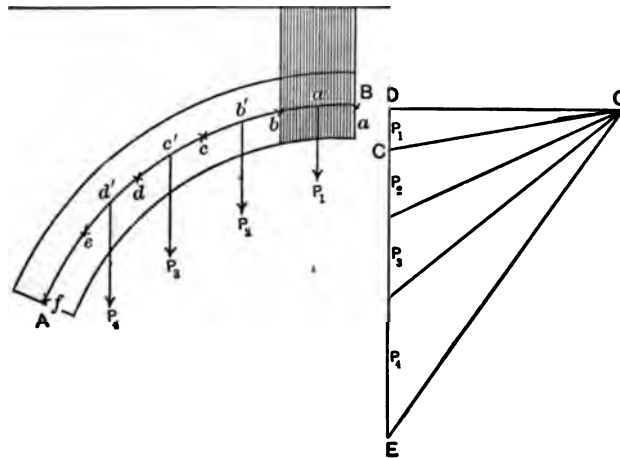


FIG. 19.

through the points a, b, c, d , etc., and DO will be the horizontal thrust for this loading. A check calculation will show that this is the true horizontal thrust according to the elastic theory, *neglecting the effect of the axial stress*.

By a similar construction the polygon may be made to pass through the points where the loads are applied to the axis. In either case the bending moments due to the dead load are sensibly zero. This assumes that the loads are reasonably close together.

Filled spandrels can usually be made so that the above conditions are fulfilled by selecting proper filling materials.

CHAPTER III.

EXAMPLES SHOWING THE APPLICATION OF THE FORMULAS, ETC.

46. Preliminary.— In the examples which follow, the computations will be given in detail, with suggestions as to methods and checks. In some cases it will be found that the algebraic work necessary to get the data into shape for applying the arch theory requires as much time as the computation of H_1 for each load respectively. Some of this work will be found quite unnecessary by many. It is given in one case for the benefit of the few who may use the example as a guide for their first arch calculation.

47. First Example: Data.— Let us assume that the design shall be for a single-track railway bridge with an arch ring of Quincy, Mass., granite, and that the axis of the ring has a span of 60 ft. and a rise of 8 ft. Let the spandrel filling be cinders, sand, or gravel, in such proportions that the total dead load will have its equilibrium polygon following the axis of the ring. Since this is to be a railway bridge, there should be at least 3 ft. of fill between the base of the rail and the arch ring at the crown. This will distribute the moving load which may be assumed at 5000 lbs. per foot of span. If the ties are 8 ft. long, we may assume that the fill will distribute 5000 lbs. over at

least 13 ft. under the ties, or that the moving load will be about 400 lbs. per square foot. 30 lbs. per square foot will cover the weight of the track.

48. Subdivision of the Arch Axis.—This should not be decided upon until the shape of the arch ring is determined. In this case let the ring be of uniform depth throughout; then, in order that Δ may be constant, the axis should be divided into *equal parts*. In all summation formulas it is well known that the smaller the divisions are made the more accurate will be the results. In this

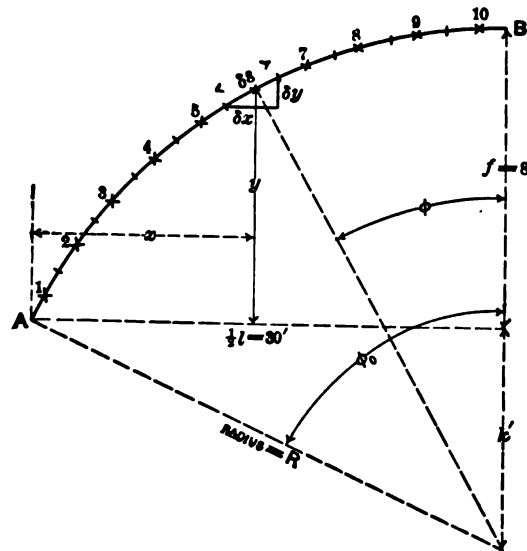


FIG. 20.

particular case δs might be replaced by ds , and the problem solved, as far as H_1 , M_1 , etc., are concerned, by means of integration.

Ordinarily *twenty* divisions will give results sufficiently accurate for practical purposes. This number will be used.

From Fig. 20,

$$\frac{1}{2}l = 30 = \sqrt{R^2 - (R - 8)^2}. \quad \therefore R = 60.25 \text{ ft.}, \text{ and } k' = 52.25 \text{ ft.}$$

$$\sin \phi_0 = \frac{\frac{1}{2}l}{R} = \frac{30}{60.25} \quad \therefore \phi_0 = 29^\circ 51'.76.$$

$$\text{Arc } AB = \frac{2\pi R}{360} 29.8616 = 31.40 \text{ ft.}$$

Hence $\delta s = 3.14$ ft., and the angle at the center for each division is $2^\circ.98616$.

49 Computation of x and y .—The values of x and y are computed for the center points of the divisions made above, as shown in detail in Table A.

TABLE A.

Point.	ϕ .	$\sin \phi$.	$\cos \phi$.	$R \sin \phi$.	$R \cos \phi$.	x $30 - R \sin \phi$.	y $R \cos \phi - 52.25$.
1	28° 22'.172	0.47515	0.87991	28.628	53.015	1.372	0.765
2	25 22 .996	.42867	.90346	25.827	54.433	4.173	2.183
3	22 23 .820	.38102	.92457	22.956	55.795	7.044	3.455
4	19 24 .644	.33234	.94316	20.023	56.625	9.977	4.575
5	16 25 .468	.28275	.95919	17.036	57.791	12.964	5.541
6	13 26 .292	.23239	.97262	14.001	58.600	15.999	6.350
7	10 27 .116	.18141	.98335	10.930	59.247	19.070	7.000
8	7 27 .940	.12993	.99152	7.828	59.739	22.172	7.489
9	4 28 .764	.07810	.99694	4.705	60.065	25.295	7.815
10	1 29 .588	.02606	.99966	1.570	60.220	28.430	7.979
C	0 0	0	1.00000	0	60.25	30.000	8.000

In this particular case we are probably not warranted in using three decimal places in the values of x and y , although the labor is but a very little greater than if but two were used. This is assuming that multiplications are performed by machine or a multiplication-table. After a little practice Crelle's "Rechentafeln" will be found quite satisfactory for all multiplications and many divisions.

50. **Computation of H_1 for Unit Loads.**—Table B gives in detail the calculations for H_1 corresponding to a unit load at each point respectively. Since the arch and the loading are symmetrical, the summations have been made from $x=0$ to $x=\frac{1}{2}l$.

In column 2 the positive and negative values of $y-y_a$ should sum up the same. As the fourth decimal place has been neglected, the sums differ by 3 in the third decimal place. The method of Art. 14 has been employed in computing m_x , which requires the use of but *ten* multipliers (the values of x) and *fifty-five* multiplications in the complete determination of H_1 for each load.

For the first load each value of $y-y_a$ is multiplied by the first value of x , and therefore, since $\Sigma(y-y_a)=0$, $\Sigma m_x(y-y_a)$ should be zero, and consequently the value of $H_1=0$ for this load. Using the figures shown in the table, $H_1=.000035$ for $P_1=\text{unity}$, which is zero for all practical purposes.

The true values of $\Sigma y(y-y_a)$ and $\Sigma m_x(y-y_a)$ are *twice* the numerical values given in the table, but since one expression is in the denominator and the other in the numerator the common factor zero has been neglected.

The method employed in Table B is considerably longer than necessary, but has been used on account of its clearness and because all sums are taken between the same limits.

TABLE B.
COMPUTATION OF H_1 FOR UNIT LOADS.

Point.	1	2	3	4		5		6	
	Values of y .	$y - y_a$.	$y(y - y_a)$.	$P_1 = 1 - P_1'$.	m_x .	$m_x(y - y_a)$.	$P_2 = 1 - P_2'$.	m_x .	$m_x(y - y_a)$.
0	765	- 4.550	- 3.481	1.372	1.372	- 6.243	1.372	1.372	- 6.243
1	2.183	- 3.132	- 6.828	1.372	4.173	- 4.207	4.173	4.173	- 13.070
2	3.455	- 1.860	- 6.426	1.372	4.173	- 2.552	4.173	7.044	- 13.102
3	4.575	- .740	- 3.386	1.372	4.173	- 1.015	4.173	7.044	- 5.213
4	5.541	.226	1.252	1.372	4.173	.310	4.173	7.044	1.592
5	6.350	1.035	6.572	1.372	4.173	1.420	4.173	7.044	7.201
6	7.000	1.685	11.795	1.372	4.173	2.312	4.173	7.044	11.869
7	7.480	2.174	16.281	1.372	4.173	2.983	4.173	7.044	15.314
8	7.815	2.500	19.538	1.372	4.173	3.430	4.173	7.044	17.610
9	7.979	2.665	21.267	1.372	4.173	3.650	4.173	7.044	18.772
10	53.152	- 10.282	- 20.121	13.720	38.929	- 14.107	38.929	61.897	- 37.628
	$\sum y$	+ 10.285	+ 76.705	$\sum m_x$	$\sum m_x$	+ 14.111	$\sum m_x$	$\sum m_x$	+ 72.448
	$y_a = \frac{\sum y}{10}$		+ 56.584			+ .004			+ 34.820
	$= 5.315$		$\sum y(y - y_a)$			$\sum m_x(y - y_a)$			$\sum m_x(y - y_a)$
	$\sum m_x + 10$			1.372	3.893			6.190	
	$H_1 = \frac{1}{2} \frac{\sum m_x(y - y_a)}{\sum y(y - y_a)}$					0.000035			0.1125
									0.3075

TABLE B.—COMPUTATION OF H_1 FOR UNIT LOADS—(Continued).

Point.	7 $P_7 = 1 - P_4$.		8 $P_8 = 1 - P_3$.		9 $P_9 = 1 - P_2$.		10 $P_{10} = 1 - P_1$.	
	m_x .	$m_x(y - y_a)$.	m_x .	$m_x(y - y_a)$.	m_x .	$m_x(y - y_a)$.	m_x .	$m_x(y - y_a)$.
0								
1	1.372	- 6.243	1.372	- 6.243	1.372	- 6.243	1.372	- 6.243
2	4.173	-13.070	4.173	-13.070	4.173	-13.070	4.173	-13.070
3	7.044	-13.102	7.044	-13.102	7.044	-13.102	7.044	-13.102
4	9.977	- 7.383	9.977	- 7.383	9.977	- 7.383	9.977	- 7.383
5	9.977	2.255	12.964	2.930	12.964	2.930	12.964	2.930
6	9.977	10.320	12.964	13.418	15.991	16.551	15.991	16.551
7	9.977	16.811	12.964	21.844	15.991	26.945	19.070	32.133
8	9.977	21.690	12.964	28.184	15.991	34.764	19.070	41.458
9	9.977	24.943	12.964	32.410	15.991	39.978	19.070	47.675
10	9.977	26.580	12.964	34.540	15.991	42.616	19.070	50.822
	82.428 Σm_x	-39.798 + 102.614	100.35 Σm_x	-39.798 + 133.335	115.485 Σm_x	-39.798 + 163.784	127.801 Σm_x	-39.798 + 191.569
		+62.816 $\Sigma m_x(y - y_a)$		+93.537 $\Sigma m_x(y - y_a)$		+123.986 $\Sigma m_x(y - y_a)$		+151.771 $\Sigma m_x(y - y_a)$
$\frac{\Sigma m_x}{10}$	8.243		10.03		11.55		12.78	
H_1		.535		.8265		1.0055		1.341

TABLE B.—COMPUTATION OF H_1 FOR UNIT LOADS—(Concluded).

Point.	11 $P_8 = 1 = P_8'$		12 $P_9 = 1 = P_9'$		13 $P_{10} = 1 = P_{10}'$		14 $P = \text{unity.}$	
	m_x	$m_x(y - y_0)$	m_x	$m_x(y - y_0)$	m_x	$m_x(y - y_0)$	Load.	H_1 .
0							P_1 or P_1'	0
1	1.372	- 6.243	1.372	- 6.243	1.372	- 6.243	P_2 " P_2'	0.1125
2	4.173	-13.070	4.173	-13.070	4.173	-13.070	P_3 " P_3'	0.3075
3	7.044	-13.102	7.044	-13.102	7.044	-13.102	P_4 " P_4'	0.555
4	9.977	- 7.383	9.977	- 7.383	9.977	- 7.383	P_5 " P_5'	0.8265
5	12.964	2.930	12.964	2.930	12.964	2.930	P_6 " P_6'	1.0955
6	15.991	16.551	15.991	16.551	15.991	16.551	P_7 " P_7'	1.341
7	19.070	32.133	19.070	32.133	19.070	32.133	P_8 " P_8'	1.5425
8	22.172	48.202	22.172	48.202	22.172	48.202	P_9 " P_9'	1.685
9	25.205	55.430	25.205	55.430	25.205	55.430	P_{10} " P_{10}'	1.7585
10	22.172	59.088	25.205	67.411	28.430	75.766		
	137.107 Σm_x	-39.798 +214.334	143.333 Σm_x	-39.798 +236.165	146.488 Σm_x	-39.798 +238.820		
		+174.536 $\Sigma m_x(y - y_0)$		+190.667 $\Sigma m_x(y - y_0)$		+199.022 $\Sigma m_x(y - y_0)$		
$\frac{\Sigma m_x}{10}$	13.71		14.33		14.65			
H_1		1.5425		1.685		1.7585		

Table B also contains the values of $\Sigma m_x \div n$, which will be used in computing the values of M_1 . Having the values of H_1 for unit loads, its value for any other load is simply the product of the load by the values given in Table B.

51. Computation of M_1 , V_1 , y_1 , y_2 , and y_0 for Unit Loads.—The formula for M_1 is, Art. 25,

$$M_1 = H_1 y_a - \frac{\Sigma m_x x - \Sigma m_x \frac{\Sigma x^2}{\Sigma x}}{n \left(\frac{1}{2} l - \frac{\Sigma x^2}{\Sigma x} \right)},$$

in which H_1 and y_a are known from Table B. $\Sigma x = \frac{1}{2} nl = \frac{1}{2}(20)60 = 600$. There remains to be found the value of m_x at each point for each load and also the value of Σx^2 . Of course Σx^2 can be found by squaring each value of x , but this is rather tiresome, as there are twenty different values. The following method will be found shorter and easier and at the same time a portion of the work in computing m_x will be done.

Taking any symmetrical values of x , that is, the values of x for points 1 and 1', say,

$$\begin{aligned} x^2 + x_1^2 &= x^2 + (l-x)^2 = x^2 + l^2 - 2lx + x^2 \\ &= l^2 - 2x(l-x) \\ &= l^2 - 2x\left(\frac{1}{2}l - x\right) - lx. \end{aligned}$$

Then, for all points,

$$\Sigma(x^2 + x_1^2) = \frac{nl^2}{2} - 2 \sum_0^{\frac{1}{2}l} x \left(\frac{1}{2}l - x \right) - l \sum_0^{\frac{1}{2}l} x = \Sigma x^2,$$

$$\frac{nl^2}{2} = \frac{1}{2}(20)(60)^2 = 36000,$$

$$-2 \sum_0^{l/2} x(\frac{1}{2}l - x) = -2(1498.987) = -2997.974, \quad (\text{Table C.})$$

$$-l \sum_0^{l/2} x = -(60)(146.48) = -8788.800. \quad (\text{Table C.})$$

$$\therefore \Sigma x^2 = 24213.23 \quad \text{and} \quad \frac{\Sigma x^2}{\Sigma x} = 40.3554.$$

The denominator in the equation for M_1 now becomes

$$20(30 - 40.3554) = -207.1075.$$

The next step is the determination of m_x at each point for each load. This can be done by constructing an equilibrium polygon for each load and scaling the proper ordinates, which leads to $10 \times 20 = 200$ separate quantities and then 200 multiplications when $m_x x$ is found.

$\Sigma m_x x$ can be found as follows:

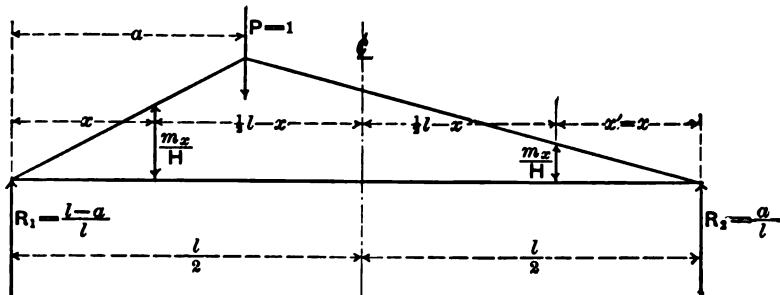


FIG. 21.

From Fig. 21 for load unity,

$$R_1 = \frac{l-a}{l}, \quad R_2 = \frac{a}{l}.$$

From $x=0$ to $x=a$, From $x=a$ to $x=l$,

$$m_x = R_1 x = \frac{l-a}{l} x. \quad m_x = R_2 (l-x) = \frac{a}{l} (l-x).$$

Now

$$m_x x = m_x \left[\frac{1}{2}l - (\frac{1}{2}l - x) \right] = \frac{1}{2}m_x l - m_x (\frac{1}{2}l - x).$$

Therefore

$$\Sigma m_x x = \frac{1}{2}l \Sigma m_x - \Sigma m_x (\frac{1}{2}l - x).$$

The value of $\frac{1}{2} \Sigma m_x$ is given in Table B for two equal and symmetrical loads. This value is equal to Σm_x for a single load. This quickly disposes of $\frac{1}{2}l \Sigma m_x$.

The value of $\Sigma m_x (\frac{1}{2}l - x)$ can be found quite easily by remembering that for $m_x (\frac{1}{2}l - x)$ upon the left there will be an $m_x' (\frac{1}{2}l - x)$ upon the right but *opposite in sign until* $x = a$. For $x < a$ and $x = l - x$,

$$\begin{aligned} (m_x + m_x') (\frac{1}{2}l - x) &= R_1 x (\frac{1}{2}l - x) - R_2 x (\frac{1}{2}l - x) \quad (x < a) \\ &= (R_1 - R_2) x (\frac{1}{2}l - x); \end{aligned}$$

hence

$$\sum_{x=0}^{x=a} (m_x + m_x') (\frac{1}{2}l - x) = (R_1 - R_2) \sum_{x=0}^{x=a} x (\frac{1}{2}l - x).$$

For $x = a$ to $x = l - a$,

$$\sum_{x=a}^{x=l-a} m_x (\frac{1}{2}l - x) = \sum_{x=a}^{x=l-a} \{ R_2 (l - 2x) (\frac{1}{2}l - x) = 2R_2 (\frac{1}{2}l - x)^2 \}.$$

Then

$$\Sigma m_x (\frac{1}{2}l - x) = (R_1 - R_2) \sum_{x=0}^{x=a} x (\frac{1}{2}l - x) + 2R_2 \sum_{x=a}^{x=l-a} (\frac{1}{2}l - x)^2.$$

With the above explanations, Table C becomes very simple and gives us all of the coefficients required in treating vertical loads. In col. 21 the values of M_1 give also the values of M_2 by merely numbering the points 1', 2',

TABLE C.
COMPUTATION OF M_1 , V_1 , AND γ_1 .

Point.	1	2	3	4	5	6	7	8
	R_1	R_2	z	$\frac{1}{2}l - z$	$\pi(\frac{1}{2}l - z)$	$(\frac{1}{2}l - z)^2$	$\sum_{0}^{\frac{1}{2}l} \pi(\frac{1}{2}l - z)$	$R_1 - R_2$
1	.977	.023	1.37	28.63	39.223	819.667	39.223	.954
2	.931	.069	4.17	25.83	107.711	667.189	14.934	.862
3	.883	.117	7.04	22.96	161.038	527.162	308.572	.766
4	.834	.166	9.98	20.02	199.800	400.800	508.372	.668
5	.784	.216	12.96	17.04	220.838	290.362	729.210	.568
6	.733	.267	16.00	14.00	224.000	196.000	953.210	.466
7	.682	.318	19.07	10.93	208.435	119.465	1161.645	.364
8	.631	.369	22.17	7.83	173.591	61.309	1335.236	.262
9	.578	.422	25.29	4.71	119.116	22.184	1454.352	.156
10	.526	.474	28.43	1.57	44.635	2.465	1478.087	.052

Point.	9	10	11	12	13	14	15	16
	Column 7 times Column 8.	$\frac{1}{2}(\frac{1}{2}l - z)^2$	zR_2	Column 10 times Column 11.	Column 9 plus Column 12, $\sum_{0}^{\frac{1}{2}l} \pi(\frac{1}{2}l - z)$.	$\sum_{0}^{\frac{1}{2}l} \pi^2$	$H_{1/2}$	$\sum_{0}^{\frac{1}{2}l} \pi$, Table B.
1	37.419	2286.936	.046	105.199	142.618	411.60	.000	13.720
2	126.657	1619.747	.138	223.525	350.182	1167.87	.598	38.929
3	336.366	1002.585	.234	355.655	492.031	1856.01	1.634	61.897
4	339.592	691.785	.332	229.073	569.205	2472.84	2.950	82.428
5	414.191	401.423	.432	173.415	587.606	3010.50	4.393	100.350
6	444.196	295.423	.534	109.606	553.892	3464.55	5.823	115.485
7	422.839	85.958	.636	54.669	477.508	3834.03	7.127	127.861
8	349.832	24.640	.738	18.191	368.023	4113.21	8.198	137.107
9	226.879	2.465	.844	2.080	228.959	4299.99	8.956	143.333
10	77.947948	77.947	4394.64	9.346	146.488

TABLE C.—COMPUTATION OF M_1 , V_1 , AND y_1 —(Concluded).

Point.	17	18	19	20	21	22	23	24
	$\frac{\sum m_x x}{-207.1075}$	$\sum m_x x$. Col. (14-13).	$\frac{\sum x^2}{n} - \frac{(\sum x)^2}{n^2}$	$-\bar{m}_1$. Col. (19-17).	M_1 . Col. (15-20).	y_1 .	V_1 .	\bar{y}_0 .
1	- 1.209	268.982	- 2.673	1.374	- 1.374	-26.996	1.000	
2	- 3.948	817.688	- 7.583	3.635	3.037	-12.408	.987	9.588
3	- 6.590	1304.879	-12.058	5.468	3.834	- 7.056	.902	
4	- 9.191	1903.575	-16.057	6.866	3.916	- 4.181	.822	9.595
5	-11.699	2422.804	-19.548	7.849	3.456	- 2.391	.779	
6	-14.054	2910.658	-22.496	8.442	2.019	- 1.165	.690	9.614
7	-16.207	3356.522	-24.896	8.689	- 1.562	- .277	.600	
8	-18.083	3745.187	-26.708	8.695	- .427		.539	9.639
9	-19.657	4071.031	-27.921	8.264	.092	.411	.461	
10	-20.843	4316.693	-28.536	7.693	1.053	.940	.385	9.654
10'	-21.505	4472.587	-28.536	6.941	2.405	1.368		
8'	-21.868	4528.949	-27.921	6.053	2.903	1.723		
7'	-21.637	4481.233	-26.708	5.071	3.127	2.027		
6'	-20.818	4311.538	-24.896	4.078	3.049	2.274		
5'	-19.403	4018.442	-22.496	3.093	2.730	2.492		
4'	-17.373	3598.106	-19.548	2.175	2.218	2.684		
3'	-14.689	3042.105	-16.057	1.368	1.582	2.850		
2'	-11.342	2348.941	-12.058	.716	.918	2.985		
1'	- 7.330	1518.052	- 7.583	.253	.345	3.067		
	- 2.676	554.218	- 2.673	.003	.003000	

$$M_1 = H_1 y_0 e^{-\dots} - \frac{\sum m_x \left(v - \frac{\sum x^2}{2v} \right)}{n \left(\frac{1}{2} - \frac{\sum x^2}{2v} \right)} = H_1 y_0 e^{-\dots} - \frac{\sum m_x}{207.1075} + \frac{\sum x^2}{2} \frac{\sum m_x}{n ID}$$

$$D = -207.1075.$$

$$y_1 = \frac{M_1}{H_1}; \quad y_0 = y_1 + \frac{V_1 \alpha}{H_1};$$

$$V_1 = \frac{M_2 - M_1}{L} + R_1.$$

3', etc. The quantities in cols. 22 and 23 reversed give γ_2 and V_2 respectively. Col. 24 shows how nearly constant γ_0 is in this case.

For mathematical accuracy the value of V_1 for a load at point 1 should be unity as given in Table C, which evidently is not the actual condition. When the first point is quite near the support, however, the value of V_1 approaches unity very nearly.

In col. 22 the value of γ_1 for point 1 is not given, since it is not possible to obtain its value directly from the formula $M_1 \div H_1 = \gamma_1$, as H_1 is zero. The same is true for point 1'. This will be the condition whenever graphical or algebraic summation methods are used. This difficulty does not occur in integration formulas. Fortunately, the peculiarity of the summation methods is of no practical importance if δs is not assumed too great. The defect is quite marked where ribs have a much greater depth at the springing than at the crown, and δs is so taken that everywhere $\delta s \div l$ is constant.

52. Depth of Ring and the Dead Load.—An examination of Table II shows that a number of railway bridges have been constructed with spans of about 60 feet with arch rings 3 feet deep. Let this be assumed as the depth of the ring.

The load at point 10 can be found as follows: Divide the vertical projection of the arch as shown in Fig. 22, and carefully scale the distances ab , bc , and de . Then the weight of the ring at point 10 is $[(bc)(de) = (3.00)(3.14)]170 = 1601$ pounds, taking granite at 170 lbs. per cubic foot. Assume the fill to be made of material weighing 95 lbs. per cubic foot, then the weight at 10 is $(3.02)(3.14)95 = 905$ lbs., say. The weight from the track is $(3.14)30 = 94$ lbs.

The total dead load at 10 now is $1601 + 905 + 94 = 2600$ pounds. In order that the equilibrium polygon shall pass

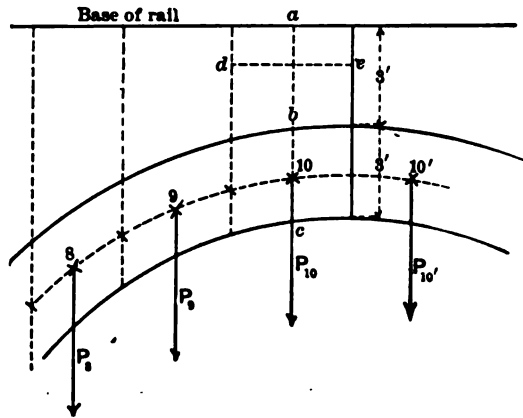


FIG. 22.

through 10 and 9, Fig. 23, the pole distance must be

$$H = \frac{2600}{\tan 2^\circ - 59'.2} = \frac{2600}{0.052} = 50000.$$

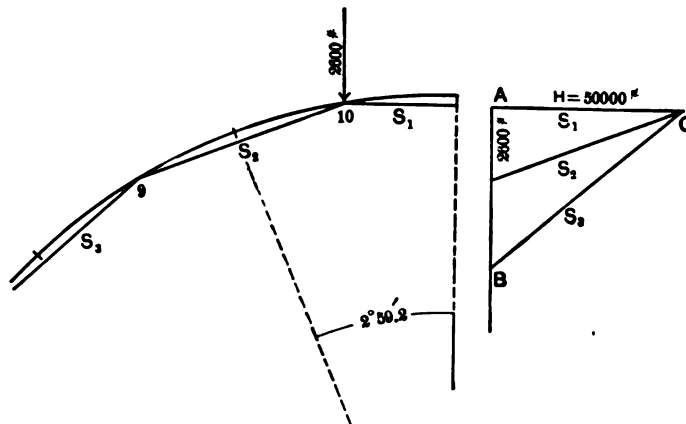


FIG. 23.

For the polygon to pass through point 8, load 9 must equal $[50000 \tan 2(2^\circ - 59'.2) = 50000(0.1046)] - 2600 = 5250$

- 2600 = 2650 pounds. In like manner all loads may be computed, or obtained by drawing strings parallel to the chords connecting the points of division as indicated in Fig. 23.

COMPUTATION OF DEAD LOAD.

Point.	ϕ .	$\tan \phi$.	$50000 \tan \phi$.	Dead Load P.	Unit H_1 , Table B.	Computed H_1 .
1	29° 51' .760	0.574	28700	3350	0	0
2	26 52 .584	0.507	25350	3200	0.113	362
3	23 53 .408	0.443	22150	3050	0.308	939
4	20 54 .232	0.382	19100	2950	0.555	1037
5	17 55 .056	0.323	16150	2800	0.827	2316
6	14 55 .880	0.267	13350	2800	1.096	3069
7	11 56 .704	0.211	10550	2700	1.341	3621
8	8 57 .528	0.157	7850	2600	1.543	4012
9	5 58 .352	0.105	5250	2650	1.685	4465
10	2 59 .176	0.052	2600	2600	1.759	4573
				28700		24994

The above table gives the computations necessary for obtaining the proper dead loads and also the corresponding values of H_1 . The value of H_1 for the entire dead load is in round figures $2(25000) = 50000$.

The next step will be the separating of the above dead loads into parts, the ring, filling, and track. The ring and track are fixed, so that their combined weight taken from the total will leave the weight of fill required. The tabular statement on page 68 shows the process in detail.

No great degree of accuracy has been attempted in this table, as a hard rain may change the weight of the fill a considerable amount. The last column gives the average weight per cubic foot of the fill which is necessary to just fulfill the requirement that the equilibrium polygon coincides with the arch axis. It will be noticed that the weight of the arch ring is very nearly uniform for each section.

The lack of uniformity in the variation of the values given is due to inaccuracies of scaling *ab*, *bc*, and *de* from a drawing.

FINAL DEAD LOADS.

Point.	Fig. 22.			170 lbs. per cu. ft. Ring.	30 lbs. per sq. ft. Track.	Ring and Track.	Fill.	Area of Fill.	Average Weight of Fill per Cubic Foot.
	<i>ab</i> .	<i>bc</i> .	<i>de</i> .						
1	10.10	3.40	2.77	1601	83	1684	1666	28.5	59
2	8.72	3.28	2.83	1578	85	1663	1537	24.7	62
3	7.45	3.25	2.91	1608	87	1695	1355	21.7	63
4	6.36	3.16	2.96	1590	89	1679	1271	18.8	68
5	5.42	3.13	3.01	1602	90	1602	1108	16.3	68
6	4.62	3.08	3.05	1597	92	1689	1111	14.1	79
7	4.00	3.05	3.00	1602	93	1695	1005	12.4	81
8	3.52	3.00	3.11	1586	93	1679	921	10.9	85
9	3.20	3.00	3.13	1596	94	1690	960	10.0	96
10	3.02	3.00	3.14	1601	94	1695	905	9.5	95

53. Live Load and Loads Producing Maximum Moments.—

The live load is 400 lbs. per linear foot and hence the load at each point is obtained by multiplying *de*, Fig. 22, by 400. These products are given in Table D.

In order to select the loads which produce maximum moments draw the equilibrium polygons for a load unity at each point respectively, as shown on Plate I. One-half of the polygons are shown. These reversed will be the polygons for loads upon the right of the crown.

By inspection we see that loads 1-8 inclusive produce negative moments at the left support, and the remaining loads produce positive moments.

At the crown loads 1-7 and 7'-1' inclusive produce negative moments, and loads 8-8' inclusive positive moments.

For point 6', between $\frac{1}{3}$ and $\frac{1}{4}$ point of the span, loads 1-8' produce negative moments, and loads 7'-1' positive moments.

TABLE D.
LIVE LOADS.

400 POUNDS PER FOOT.

Pt.	Load.	\sum Loads.	H_1 .	$\sum H_1$.	M_1 .	$\sum M_1$.	V_1 .	$\sum V_1$.
0								
1	1108	1108	00.0	00.0	-1522.4	-1522.4	1108.0	1108.0
2	1132	2240	127.4	127.4	-3437.9	-4960.3	1117.3	2225.3
3	1164	3404	357.9	485.3	-4462.8	-9423.1	1119.8	3345.1
4	1184	4588	657.1	1142.4	-4636.6	-14059.7	1096.4	4441.5
5	1204	5792	995.1	2137.5	-4161.0	-18220.7	1058.3	5499.8
6	1220	7012	1336.5	3474.0	-3195.2	-21415.9	1002.8	6502.6
7	1236	8248	1657.5	5131.5	-1930.6	-23346.5	938.1	7440.7
8	1244	9492	1918.9	7050.4	-531.2	-23877.7	858.4	8299.1
9	1252	10744	2109.6	9160.0	866.4	-23011.3	770.0	9069.1
10	1256	12000	2208.7	11368.7	2076.2	-20935.1	677.0	9746.1
10'	1256	13256	2208.7	13577.4	3020.7	-17914.4	579.0	10325.1
9'	1252	14508	2109.6	15687.0	3634.6	-14279.8	482.0	10807.1
8'	1244	15752	1918.9	17605.9	3800.0	-10389.8	385.6	11192.7
7'	1236	16988	1657.5	19263.4	3768.6	-6621.2	297.9	11490.6
6'	1220	18208	1336.5	20599.9	3330.6	-3290.6	217.2	11707.8
5'	1204	19412	995.1	21595.0	2670.6	-620.0	145.7	11853.5
4'	1184	20596	657.1	22252.1	1873.1	1253.1	87.6	11941.1
3'	1164	21760	357.9	22610.0	1068.6	2321.7	44.2	11985.3
2'	1132	22892	127.4	22737.4	390.5	2712.2	14.7	12000.0
1'	1108	24000	00.0	22737.4	3.4	2715.6	0.0	12000.0
0'								

If the ring is safe at these three points or even at the spring line and points 6 and 6', it will be safe at all other points.

54. M_1 , V_1 , and H_1 for Live Loads.—These values are obtained by multiplying the values for a load unity given in Table C by the live load. The results are given in Table D. For convenience these values are summed from 0 to x , as shown.

55. Maximum Moments at Point 0 Produced by the Live Load.—For loads 1-8 inclusive

$$M_1 = -23878 \text{ (Table D).}$$

For loads 9-1' inclusive

$$M_1 = 2716 - (-23878) = +26594.$$

For a full load

$$M_1 = -23878 + 26594 = +2716.$$

For a load up to the crown

$$M_1 = -20935 \text{ (Table D).}$$

For load 10'-1' inclusive

$$M_1 = +23651 \text{ (Table D).}$$

Evidently loading one half the span does not produce maximum moments at point o. The difference between the moment for a load extending from one support up to the crown and the maximum moments will not make any serious difference in the fiber stresses, as the dead load contributes a large portion of these stresses. If temperature effects are considered, the live-load effect becomes almost insignificant.

56. Maximum Moments at the Crown Produced by the Live Load.—For loads 1-7 inclusive

$$M_1 = -23347 \text{ (Table D),}$$

$$V_1 = 7441 \quad \text{“} \quad \text{“}$$

$$H_1 = 5132 \quad \text{“} \quad \text{“}$$

$$M_z = M_1 + V_1x - H_1y - \sum P(x-a). \quad x=30 \text{ and } y=8.$$

$\sum P(x-a)$ can be found graphically by means of the ordinary equilibrium polygon. In this instance we will compute its value as shown in the following table.

$$\sum P(x-a).$$

Point	P.	$l-a.$	$P(x-a).$
1	1108	28.63	31722
2	1132	25.83	29239
3	1164	22.96	26725
4	1184	20.02	23703
5	1204	17.04	20516
6	1220	14.00	17080
7	1236	10.93	13509
	Table D	Table C	162494 $\sum P(x-a)$

$$V_1x = 7441(30) = 223230,$$

$$H_1y = 5132(8) = 41056,$$

$$\sum P(x-a) = 162494;$$

$$M_x = -23347 + 223230 - 41056 - 162494 = -3667.$$

If this is the moment for loads 1-7, then for loads 1-7 and 7'-1' inclusive, $M_x = 2(-3667) = -7334.$

If our coefficients are absolutely correct, the moment for loads 7'-1' inclusive should be the same as for loads 1-7 inclusive, as assumed. For loads 7'-1' inclusive

$$M_x = M_1 + V_1x - H_1y,$$

$$M_1 = +13105 \text{ (Table D),}$$

$$V_1x = 807(30) = 24210,$$

$$H_1y = 5132(8) = 41056,$$

and

$$M_x = +13105 + 24210 - 41056 = -3741.$$

This is $3741 - 3667 = 74$ larger than obtained by above method, an error of about 2%.

Considering that the summation method leads necessarily to approximate results, it will be more consistent when possible to always use the formula for M_x in which $\sum P(x-a)$ does not appear.

57. Moment at the Crown Produced by Live Loads 1-10 Inclusive.—From Table D,

$$M_2 = +23651, \quad V_2x = 2254(30) = 67620,$$

$$H_1y = 11369(8) = 90952.$$

$$\therefore M_x = +23651 + 67620 - 90952 = +319.$$

For a load over all,

$$M_x = 2(319) = +638.$$

58. Moment at the Crown Produced by Loads 8-8' Inclusive.
—We will first compute the moment for loads 10', 9', and 8' by the formula

$$M_x = M_1 + V_1x - H_1y.$$

From Table D,

$$M_1 = +10545, \quad V_1x = 1447(30) = 43410,$$

$$H_1y = 6237(8) = 49896.$$

$$\therefore M_x = +10545 + 43410 - 49896 = +4059.$$

Check:

From Art. 44, $M_x = -3741$ for loads 1-7 inclusive.

“ “ 45, $M_x = +319$ “ “ 1-10 “

$\therefore M_x = +4060$ “ “ 8-10 “

or practically the same as found above.

The above computations show that the moment at the crown produced by a load covering the half-span is hardly *one tenth* the maximum moment.

59. Maximum Moment at Point 6' Produced by Live Loads 1-8' Inclusive.—Use the formula

$$M_x = M_2 + V_2x' - H_1y.$$

From Table D,

$$M_2 = +2715 - (-23347) = +26062,$$

$$V_2x' = 4559(16) = 72944,$$

$$H_1y = 17606(6.35) = 111798.$$

$$\therefore M_x = +26062 + 72944 - 111798 = -12792.$$

60. Maximum Moment at Point 6' Produced by Live Loads 7'-1' Inclusive.—From Table D,

$$M_1 = +13105, \quad V_1x = 807(44) = 35508,$$

$$H_1y = 5132(6.35) = 32588,$$

$$\sum P(x-a) = 1236(3.07) = 3795,$$

$$M_x = M_1 + V_1x - H_1y - \sum P(x-a)$$

$$= +13105 + 35508 - 32588 - 3795 = +12230.$$

61. Moment at Point 6' Produced by Live Loads 1-10 Inclusive.

$$M_x = M_2 + V_2x' - H_1y.$$

From Table D,

$$M_2 = +23651, \quad V_2x' = 2254(16) = 36064,$$

$$H_1y = 11369(6.35) = 72193.$$

$$\therefore M_x = +23651 + 36064 - 72193 = -12478,$$

which is about $2\frac{1}{2}\%$ less than the maximum moment as found in Art. 59.

62. Moments at all Points Produced by Live Loads 1-8' Inclusive Determined Graphically.—The constructions are given on Plate II. Lay off a load line in the usual way and scale off V_1 downward. Horizontally opposite this point, at a distance H_1 , take a pole and draw the strings S_1, S_2, S_3 , etc. The equilibrium polygon can now be drawn. As check upon the correctness of the polygon the *common closing line*, when transferred to the force polygon, should cut off the value of R_1 , the common reaction, on the load line. (In this particular case the check was not perfect, but so close that it was deemed unnecessary to draw a new polygon. The effect will appear later.) The closing line is AB .

Following the methods of Arts. 16 and 17, scale each ordinate of the equilibrium polygon and find the mean ordinate = $\Sigma B'C' \div 20$. At the center of the span scale upward this distance, and through the point just found draw CD parallel to the string S_0 in the force diagram, and scale the ordinates $A'B'$. Then M_x at any point equals the difference between the ordinate $A'B'$ for that point and the corresponding value of $y - y_a$ multiplied by H_1 .

The values of $M_x \div H_1$ can be found, also, by drawing the arch axis so that the y_a line coincides with the line CD of the equilibrium polygon and scaling the ordinates indicated in the shaded area.

The line CD can also be located by making $AC = m_1$ and $BD = m_2$, where

$$m_1 = \frac{\Sigma M_1 - \Sigma H_1 y_a}{H_1} \quad \text{and} \quad m_2 = \frac{\Sigma M_2 - \Sigma H_2 y_a}{H_2}.$$

The computation of M_x in detail is given in Table E.

TABLE E.
LIVE LOADS, 1-8' INCLUSIVE.

Point.	A'B'. See Plate II.	$y-y_e$.	$\frac{M_x}{H_1} =$ $(y-y_e) - A'B'$.	M_x .
0	-5.005	-5.315	.590	-10387
1	-5.09	-4.550	.54	-9506
2	-3.48	-3.132	.348	-6127
3	-2.01	-1.860	.150	-2641
4	-.74	-.740	.000	-0000
5	.40	.226	-.174	+3066
6	1.32	1.035	-.285	+5017
7	2.06	1.685	-.375	+6602
8	2.60	2.174	-.426	+7509
9	2.88	2.500	-.380	+6600
10	2.96	2.665	-.295	+5194
10'	2.80	2.665	-.135	+2377
9'	2.43	2.500	.070	-1232
8'	1.83	2.174	.344	-6056
7'	1.05	1.685	.635	-11180
6'	.27	1.035	.765	-13468
5'	-.50	.226	.726	-12781
4'	-1.28	-.740	.540	-9506
3'	-2.05	-1.860	.190	-3345
2'	-2.78	-3.132	-.352	+6198
1'	-3.52	-4.550	-1.030	+18134
0'	-3.834	-5.315	-1.481	+26075

The point of maximum moment is at 6', as stated above, and $M_x = -13468$. From Art. 59, by computation, $M_x = -12792$, showing a difference of 676 or an error of about 5%, corresponding to an ordinate of 0.033 feet. The scale employed was 3 feet to the inch, hence 0.033 feet corresponds to 0.011 of an inch on the drawing. This shows that the greatest care must be employed when graphical methods are applied and all possible checks applied.

63. **Maximum Moment at Point 6 Produced by Loads 7'-1' Inclusive. Graphical Determinations.**—Plate II shows the construction, and Table F the computation of M_x in detail. Here again there is a difference in the results obtained by

the two methods. From Art. 60, $M_x = +12230$, while by graphics $M_x = +11520$, a difference of 710, or about 6%.

TABLE F.
LIVE LOADS, 7'-1' INCLUSIVE.

Point.	A'B'. See Plate II.	$y-y_0$.	$\frac{M_x}{H_1} =$ ($y-y_0$)-A'B'.	M_x .
0	-2.761	-5.315	-2.554	+13105
1	-2.59	-4.550	-1.960	+10058
2	-2.16	-3.132	-.972	+4987
3	-1.71	-1.860	-.150	+770
4	-1.26	-.740	.520	-2668
5	-.80	.226	1.026	-5262
6	-.33	1.035	1.365	-7009
7	.15	1.685	1.535	-7882
8	.60	2.174	1.574	-8077
9	1.10	2.500	1.400	-7184
10	1.55	2.665	1.115	-5722
10'	2.05	2.665	.615	-3158
9'	2.53	2.500	-.030	+154
8'	3.00	2.174	-.826	+4238
7'	3.50	1.685	-1.815	+9318
6'	3.28	1.035	-2.245	+11520
5'	2.30	.226	-2.074	+10643
4'	.65	-.740	-1.390	+7133
3'	-1.62	-1.860	-.240	+1231
2'	-4.45	-3.132	1.318	-6763
1'	-7.90	-4.550	3.350	-17188
0'	-9.864	-5.135	4.549	-23341

64. Fiber Stresses Produced by Dead and Live Loads.—
From Art. 31,

$$p = \frac{N_x}{F} \pm \frac{M_x z}{I}.$$

For this problem, $N_x = (V_1 - \sum P) \sin \phi + H_1 \cos \phi$.

$$F = 3 \text{ sq. ft.}, \quad z = 1.5 \text{ ft.}, \quad I = \frac{1}{12} b h^3 = \frac{3^3}{12} = \frac{9}{4}.$$

Then

$$\frac{z}{I} = \frac{1.5 \times 4}{9} = \frac{2}{3}$$

and

$$p = \frac{1}{3}N_x \pm \frac{2}{3}M_x.$$

Point o. *Dead Load.*

From Art. 52, $\frac{1}{3}$ the total load = $V_1 = 28700$, say 29000, and $H_1 = 50000$; then

$$N_x = 29000(0.498) + 50000(0.867) = 14442 + 43350 = 57792.$$

$\therefore p = \frac{1}{3}(57792) + \frac{2}{3}(0) = 19264$, say 19300 comp. for both the upper and lower extreme fibers.

Live Loads.

From Art. 55 $M_x = M_1 = -23878$ for loads 1-8 incl.
 " " " $M_x = M_1 = +26594$ for loads 9-1' "
 $N_x = 8299(0.498) + 7050(0.867) = 10245$ for loads 1-8 "
 $N_x = 3701(0.498) + 15687(0.867) = 15443$ for loads 9-1' "

Then

$$p = \frac{1}{3}(10245) - \frac{2}{3}(23878) = 3415 - 15919 = -12500 \text{ tension in upper fiber and } 3415 + 15919 = +19300 \text{ compression in the lower fiber for loads 1-8 inclusive.}$$

For loads 9-1' inclusive

$$p = \frac{1}{3}(15443) + \frac{2}{3}(26594) = 5143 + 17729 = 22900 \text{ compression in the upper fiber and } p = 5143 - 17729 = 12600 \text{ tension in the lower fiber.}$$

Combined Stresses.

Combining the above results we have for the maximum fiber stresses produced by the dead and live loads the following:

Load.	Upper Fiber.	Lower Fiber.
Dead Load.....	19300 compression	19300 compression
L.L. 1-8.....	12500 tension	19300 "
L.L. 9-1'.....	22900 compression	12600 tension
Maximum compression..	42200	38600
Maximum tension.....	0	0

These intensities are pounds per square foot.

For pounds per square inch we have, 293 and 268 as the maximum compression in the upper and lower fibers respectively.

Considering that granite has an ultimate crushing strength of from 13000 to 17000 pounds per square inch, the above fiber stresses are of little consequence if the mortar joints have an equal strength, or even one fourth the strength of the granite. The fiber stresses at other points are obtained in the manner followed for point o. A tabulated statement for points o, 6', and the crown is given below:

FIBER STRESSES.

Load.	N _s .	M _s .	½N _s .	½M _s .	p.		Point.
					Upper.	Lower.	
Dead load.....	57792	0	19300	0	+19300	+19300	o
L.L. 1-8.....	10245	-23878	3415	-15919	-12500	19300	o
L.L. 9-1'.....	15443	+26594	5148	+17729	+22900	-12600	o
Max. compression..					42200	38600	o
Max. tension.....					0	0	o
Dead load.....	50000	0	16666	0	+16666	+16666	Crown
L.L. 1-7 and 7'-1'...	10264	-7482	3421	-4988	-1567	+8409	"
L.L. 8-8'.....	12474	+8118	4158	+5412	+9570	-1254	"
Max. compression..					26200	25100	"
Max. tension.....					0	0	"
Dead load.....	50500	0	16833	0	+16833	+16833	6'
L.L. 1-8'.....	18170	-12792	6057	-8528	-2471	+14585	6'
L.L. 7'-0'.....	5093	+12230	1698	+8154	+9852	-6546	6'
Max. compression..					26700	31400	6'
Max. tension.....					0	0	6'

In this table all stresses are given in pounds per *square foot*.

From the above table we see that there is no tension at the three points considered, and that the maximum compression is well within the safe strength of the material assumed. Also, that the greatest fiber stress is at the supports.

65. Effect of Temperature Changes.—Our knowledge of the effect of changes of temperature upon stone arches is very meager. The coefficients of expansion for different stones are known, but how long it takes for a stone bridge to become of uniform temperature we do not know. Probably all portions of the arch ring are never of the same temperature. The range of the average temperature is probably small. (See Arts. 33 and 34.)

In this case we will assume that the temperature changes 40° above or below the temperature of the arch when built. This is without doubt an excessive range. The horizontal thrust is (Art. 27)

$$H_t = \frac{et^{\circ}IE}{\Sigma Ay(y - y_a)} = \frac{et^{\circ}IE}{1.4(113.168)},$$

where $A = \delta s \div I = 3.14 \div 2.25 = 1.4.$

For Quincy granite

$$e = 0.00000381,$$

$$E = 6776000.$$

Then

$$H_t = \frac{(0.00000381)(40)(60)(6776000)(144)}{158.4} = 56100.$$

From Art. 27,

$$M_1 = H_t y_a = 56100(5.315) = 298200,$$

$$M_x = M_1 - H_t y = H_t (y_a - y).$$

The above values of H_t and M_1 will have signs depending upon whether the change of temperature is an increase or a decrease.

For *falling* temperature the *upper fibers* at the support are in *tension*, and at the *crown* in *compression*.

The following table gives the fiber stresses at the support and the crown.

FIBER STRESSES DUE TO CHANGES OF TEMPERATURE.

POINT O.

Temperature.	N_s .	M_s .	$\frac{1}{2}N_s$.	$\frac{1}{2}M_s$.	p .	
					Upper.	Lower.
-40°	-48638	298200	-16213	198800	-215000	+182000
+40°	+48638	298200	+16213	198800	+215000	-182000

CROWN.

-40°	-56100	149600	-18700	99700	+81000	-118400
+40°	+56100	149600	+18700	99700	-81000	+118400

Combining the above values with those obtained for the dead load and live load we have

	Upper Fibers.	Lower Fibers.
For point o:		
Maximum compression.....	257200	220600
“ tension.....	208200	175300
For the crown:		
Maximum compression.....	107200	143500
“ tension.....	65900	103000

The above values correspond to a maximum compression of 1786 pounds per square inch and a maximum tension of 1446 pounds per square inch. In compression the factor of safety is from 8 to 10, but in tension the ultimate strength of the joints is exceeded. As a large number of railway bridges have been built upon practically the dimensions we assumed and no indications of failure having been found, we must conclude that the range of temperature change assumed in this example is very much too great. Furthermore, it requires a drop in temperature of only *four* degrees to completely balance the compression produced by the dead load in the upper fibers at the support. Without question, then, our assumptions about the effect of temperature changes are not correct. Until we know more about the subject it is useless to make calculations according to the ordinary assumptions. (See Art. 33.)

66. Effect of the Axial or Direct Stress.—In all of the work above, the effect of the direct compression or tension has been neglected. If the rib is subjected to a uniform stress, it will be shortened or lengthened according to the character of the stress. All vertical loads produce direct stresses which in effect shorten the rib.

As explained in Art. 19, the horizontal thrust produced by this shortening, when found, will be treated the same as the thrust for a change of temperature.

From Art. 19,

$$H_a = H_1 \left(1 - \frac{\Sigma y(y - y_a)}{\Sigma y(y - y_a) + \Sigma \frac{\delta x \cos \phi}{FA}} \right),$$

in which all quantities are known from previous calculations, with the exception of the last term in the denominator. The computation of this term is given in detail below.

Point.	δx .	$\cos \phi$.	$\delta x \cos \phi$.
1	2.77	0.880	2.44
2	2.83	.903	2.56
3	2.90	.925	2.68
4	2.96	.943	2.79
5	3.01	.959	2.89
6	3.05	.973	2.97
7	3.08	.983	3.03
8	3.11	.992	3.09
9	3.13	.997	3.12
10	3.14	.999	3.14
			28.71

$$\Sigma \delta x \cos \phi = 2(28.71) = 57.42, \quad F = 3, \quad A = 1.4, \quad FA = 4.2,$$

$$\frac{\Sigma \delta x \cos \phi}{FA} = \frac{57.42}{4.2} = 13.67, \quad \Sigma y(y - y_a) = 113.168.$$

Then

$$\frac{113.168}{126.84} = 0.892. \quad \therefore H_a = 0.108H_1 = 11\% H_1, \text{ say.}$$

The value of H_1 for the dead load is 50000; then the corresponding axial stress produces a thrust, opposite in character, of 5500. The horizontal thrust produced by a drop of 40° in temperature is 56100; therefore the effect of the axial stress equals $\frac{5500}{56100} = .091$ of the stresses due to this drop of temperature. At joint zero the upper fiber stress due to -40° is 215000 tension. $215000(0.091) = 19600$ tension.

FIBER STRESSES DUE TO THE AXIAL STRESS.

	H_1	H_2	$\frac{H_2}{H_1}$	Point o.		Crown.	
				Upper.	Lower.	Upper.	Lower.
Dead load.....	50000	5500	0.091	-19600	+16600	+7400	-10800
L.L. 1-8.....	7050	776	0.014	-3000	+2500	+1100	-1700
" 9-1'.....	15687	1726	0.031	-6700	+5600	+2500	-3700
" 1-7 and 7'-1'.....	10263	1128	0.020	-4300	+3600	+1600	-2400
" 8-8'.....	12474	1372	0.024	-5200	+4400	+1900	-2900
" 1-8'.....	17606	1936	0.034	-7300	+6200	+2800	-4000
" 7'-1'.....	5132	565	0.001	-220	+182	+81	-118
-40°.....	51600	5676	0.110	+24000	-20000	-8900	+13000

Combining these stresses with the dead- and live-load stresses previously obtained, we have (see Art. 64):

FINAL STRESSES, INCLUDING EFFECT OF AXIAL STRESS.

	Loads.	Upper Fibers.	Maximums.
Point o.	Dead load.....	+19300-19600 = -300	Max. comp. = 12200
	L.L. 1-8.....	-12500-3000 = -15500	" ten. = 18500
	" 9-1'.....	+22900-6700 = +15200	
		Lower Fibers.	
Point o.	Dead load.....	+19300+16600 = +35900	Max. comp. = 57700
	L.L. 1-8.....	+19300+2500 = +21800	" ten. = 0
	" 9-1'.....	-12600+5600 = -7000	
		Upper Fibers.	
Crown.	Dead load.....	+16666+7400 = +24100	Max. comp. = 35600
	L.L. 1-7 and 7'-1'.....	-1567+1600 = +33	" ten. = 0
	" 8-8'.....	+9570+1900 = +11470	
		Lower Fibers.	
Crown.	Dead load.....	+16666-10800 = +5900	Max. comp. = 11900
	L.L. 1-7 and 7'-1'.....	+8409-2400 = +6000	" ten. = 0
	" 8-8'.....	-1254-2900 = -4200	
	Temperature.		
	±40°	±215000 ± 24000 = ±191000	Upper fibers at o.
	±40°	±182000 ± 20000 = ±162000	Lower " " o.
	±40°	±81000 ± 8900 = ±72100	Upper " " crown
	±40°	±118400 ± 13000 = ±105400	Lower " " "

These stresses show that the effect of the axial stress is considerable, and also that the fiber stresses at the support are reversed in one case so that the upper fibers are in tension about 128 lbs. per square inch. As this tension is not large and exists for but a short distance, the ring may be considered safe. This assumes that no temperature effects are considered. The maximum compression is 400 lbs. per square inch in the lower fibers at the support.

The effect of the axial stress is to *lower* the equilibrium polygon at the *support* and *raise* it at the *crown*, or it *increases* the *compression* and *decreases* the *tension* in the lower fibers and *decreases* the *compression* and *increases* the *tension* in the upper fibers at the support. While at the crown the reverse is true.

If this arch ring had been assumed free, then the above tension could not have been allowed (see Arts. 31 and 33).

67. A Check upon the Effect of the Axial Stress for Dead Loads.—To show how nearly the results of the above method of considering the axial stress agrees with those obtained by direct calculation, we will briefly compute H_1 and M_1 for the dead load, and also the fiber stresses at the support (see upper table on page 85).

$$M_1 = \Sigma H_1 y_a - \Sigma m_1 = 237049 - 266020 = -29000,$$

$$N_x = 29000(0.498) + 44600(0.867) = 14442 + 38668 = 53100.$$

$$\therefore p = \frac{1}{3}(53100) \pm \frac{2}{3}(29000) = 17700 \pm 19300$$

$$= 1600 \text{ tension in upper fibers}$$

$$= 37000 \text{ compression in lower fibers.}$$

From Art. 66 the corresponding stresses are 300 tension and 35900 compression, the results in the table being about 1100 too large numerically. This equals a stress of less than 8 pounds per square inch and for the compression a relative error of 3% +.

COMPUTATION OF H_1 and M_1 WHEN AXIAL STRESS IS CONSIDERED.

Point.	Common H_1 , Art. 52.	True H_1 .	True H_1 's.	m_1 for Load Unity, Table C.	Dead Load, Art. 52.	m_1 for Dead Load.
1	0	Common H_1 (1 - 0.108), Art. 66	$\frac{2a}{V} = 5.315$, Table B.	1.377	3359	4613
2	362			3.888	3209	12442
3	939			6.184	3050	18861
4	1637			8.234	2950	23669
5	2316			10.024	2800	28067
6	3069			11.535	2800	32298
7	3621			12.767	2700	34471
8	4012			13.696	2600	35610
9	4465			14.317	2650	37940
10	4573			14.634	2600	38048
	24994 2	44600	237049	Symmetrical values combined	28700 say 29000 $\frac{1}{2}$ D.L. or	266020
	49988 say 50000				V_1	Σm_1

Evidently the method employed in Art. 66 is quite accurate enough for practical purposes.

68. Effect of Making Spandrel Filling of Uniform Material Weighing 100 Pounds per Cubic Foot.

COMPUTATION OF H_1 .

Point.	Ring and Track.	Fill 100 Lbs. per Cu. Ft.	Total Dead Load.	Common H_1 , Load Unity.	Common H_1 .	H_1 with Effect of Axial Stress.
1	1684	2850	4500	0.0	0	$54200(1 - 0.108) = 48300$
2	1663	2470	4100	0.1125	461	
3	1695	2170	3900	3075	1199	
4	1679	1880	3600	5550	1998	
5	1692	1630	3300	8265	2727	
6	1689	1410	3100	1.0955	3396	
7	1695	1240	2900	1.3410	3889	
8	1679	1090	2800	1.5425	4319	
9	1690	1000	2700	1.6850	4550	
10	1695	950	2600	1.7585	4572	
			33500 2	Table B	27111 2	
			67000		54200	

COMPUTATION OF m_1 .

Point.	m_1 , Load Unity. Table C.	Dead Load.	m_1 for Dead Load.
1	1.377	4500	6197
2	3.888	4100	15941
3	6.184	3900	24129
4	8.234	3600	29642
5	10.024	3300	33079
6	11.535	3100	35759
7	12.767	2900	37024
8	13.696	2800	38349
9	14.317	2700	38656
10	14.634	2600	38048
	Table C		296824

$$M_1 = \Sigma H_1 y_a - \Sigma m_1 = 48300(5.315) - 296824$$

$$= 256715 - 296824 = -40100,$$

$$y_1 = \frac{M_1}{H_1} = \frac{-40100}{48300} = -0.83 \text{ ft.},$$

$$N_x = 33500(0.498) + 48300(0.867) = 16683 + 41876$$

$$= 58600.$$

$$\therefore p = \frac{1}{3}(58600) \pm \frac{2}{3}(40100) = 19500 \pm 26700$$

$$= 7200 \text{ tension in upper fibers}$$

$$= 46200 \text{ compression in bottom fibers.}$$

This shows that the fill over the haunches and near the supports is too heavy for the load upon the crown. The original loading could be made less to an advantage.

At the crown the moment is

$$M_x = M_1 + V_1 x - H_1 y - \Sigma P(x-a)$$

$$= -40100 + 1005000 - 386400 - 566400 = +12100,$$

$$N_x = H_1 \text{ sensibly} = 48300.$$

$$\therefore p = \frac{1}{3}(48300) \pm \frac{2}{3}(12100) = 16100 \pm 8100$$

$$= 24200 \text{ compression in upper fibers}$$

$$= 8000 \quad \text{“} \quad \text{“} \quad \text{lower fibers.}$$

The equilibrium polygon is $M_x + H_1 = 12100 \div 48300 = 0.25$ ft. *above* the neutral axis.

Combining these stresses with the live-load stresses of Art. 66, we have

- 7200 + 15200 = 8000 comp. in upper fibers	}	at support
- 7200 - 15500 = 22700 tension in upper fibers		
+ 46200 + 21800 = 68000 comp. in lower fibers		
+ 46200 - 7000 = 39020 " " " "		
+ 24200 + 11470 = 35670 comp. in upper fibers	}	at crown.
+ 8000 + 6000 = 14000 " " lower fibers		

If the above tension is considered more than allowable, then the spandrel filling should be made lighter. Since the maximum compression is very much less than the allowable stress for granite, the ring will unquestionably adjust itself by increasing this compression, and not resist much tension, if any (see Art. 31.)

69. The Radial Shear.—From Art. 29,

$$T_x = V_x \cos \phi - H_x \sin \phi.$$

For point zero, or the support, this becomes

$$T_x = V_1(0.867) - H_1(0.498).$$

For dead load (see Art. 52)

$$T_x = 28700(0.867) - 50000(0.498) = 24880 - 24900 = 0.$$

For live load over all (see Table D)

$$T_x = 12000(0.867) - 22737(0.498) = 10400 - 11320 = -920.$$

At the crown ϕ is zero, hence

$$T_x = V_x = V_1 - \sum P.$$

For the dead load $T_x = 0$.

For a live load 10'-1' inclusive $T_x = V_1 = 2254$.

In like manner any other point may be considered. When equilibrium polygons are drawn a glance is sufficient to determine if there is danger of slipping at the joints. Usually the radial shear requires but little attention in *stone arches*.

70. Second Example. Data.—For this example we will take a reinforced-concrete rib of the Thacher type.* Clear span 50 ft. and rise 10 ft. The thickness at the crown is taken as 12 inches, and at the spring line 4 feet 6 inches. Plate IV gives all data concerning dimension and reinforcement. The dead weight of the entire structure is assumed at 140 pounds per cubic foot, and the live load 112 pounds per square foot. The first step in the solution of a problem of this type is to obtain all the data shown in Plate IV either by algebraic or graphical methods. In the present instance many of the data were obtained from a carefully constructed drawing as indicated in the figure. The modulus of elasticity of the concrete is assumed to be $\frac{1}{20}$ that of steel, and hence the area of the steel is equivalent to twenty times that area in concrete.

71. Subdivision of the Arch Axis.—Contrary to the usual custom we will not attempt to so divide the arch ring that $\delta s \div I$ will be constant, but simply divide the span into twenty equal parts and determine all quantities necessary for points at the centers of these divisions. This is clearly shown in Plate IV.

The moment of inertia at each point is found as shown

* Essentially the arch taken by Professor Cain in "Theory of Concrete Arches and of Vaulted Structures."

in Table I, page 90. Prof. Cain in his book referred to above gives a very complete exposition of the method for dividing the axis so that $\delta s \div I$ shall be constant.

72. Computation of H_1 for Unit Loads.—The process is precisely that followed in the first example, only we use the general formula (Art. 13)

$$2H_1 = \frac{\Sigma m_x \Delta \left(y - \frac{\Sigma y \Delta}{\Sigma \Delta} \right)}{\Sigma y \Delta \left(y - \frac{\Sigma y \Delta}{\Sigma \Delta} \right)} = \frac{\Sigma m_x B}{C}.$$

Tables I and II give the work in detail (see pp. 90, 91).

73. Computation of M_1 .—The general formula in this case is (Art. 13)

$$M_1 = H_1 \frac{\Sigma y \Delta}{\Sigma \Delta} - \frac{\Sigma m_x \Delta \left(x - \frac{\Sigma x^2 \Delta}{\Sigma x \Delta} \right)}{\Sigma \Delta \left(\frac{1}{2} l - \frac{\Sigma x^2 \Delta}{\Sigma x \Delta} \right)}.$$

H_1 and $\frac{\Sigma y \Delta}{\Sigma \Delta}$ have been found in Tables I and II, so there remains simply the multiplication of the two factors. The determination of the second term we will take up in detail, as it is well to know a few checks and short methods.

Designating this term by m_1 ,

$$m_1 = \frac{\Sigma m_x \Delta \left(x - \frac{\Sigma x^2 \Delta}{\Sigma x \Delta} \right)}{\Sigma \Delta \left(\frac{1}{2} l - \frac{\Sigma x^2 \Delta}{\Sigma x \Delta} \right)} = \frac{\Sigma m_x \Delta \left(x - \frac{\Sigma x^2 \Delta}{\frac{1}{2} l \Sigma \Delta} \right)}{\Sigma x \Delta \left(x - \frac{1}{2} l \right) \frac{1}{l}}.$$

To find $\Sigma x^2 \Delta$, let $x = \frac{\delta x}{2} z$; then $x^2 = \left(\frac{\delta x}{2} \right)^2 z^2$, where

TABLE I.—COMPUTATION OF J .

Point No.	1	2	3	4	5	6	7	8	9	10	11	12
	h .	h^2 .	$\frac{h^3}{12} = I_c$.	$\frac{h}{2}$.	$\frac{h}{2} - 0.17 = h'$.	$(h')^2$.	$\frac{2}{10} (h')^2 = I_s$.	$\frac{h^3}{12} + \frac{2}{10} (h')^2 = I_x$.	δx .	$\frac{\delta x}{I_c} = J$.	y .	yJ .
1	3.80	14.44	4.57	1.90	1.73	2.99	0.598	5.17	3.41	0.66	1.10	0.726
2	2.80	7.84	2.19	1.40	1.23	1.51	0.302	2.13	3.21	1.51	3.05	4.606
3	2.00	4.00	0.75	1.04	0.87	0.77	0.154	0.90	3.08	3.42	4.66	15.937
4	1.54	2.37	0.30	0.77	0.60	0.36	0.072	0.37	2.92	7.85	3.95	96.946
5	1.38	1.90	0.22	0.69	0.52	0.27	0.054	0.27	2.81	10.41	6.98	72.662
6	1.30	1.69	0.18	0.65	0.48	0.23	0.046	0.23	2.75	11.96	7.77	92.929
7	1.19	1.41	0.14	0.59	0.42	0.18	0.036	0.18	2.74	15.22	8.30	126.326
8	1.10	1.21	0.11	0.55	0.38	0.14	0.028	0.14	2.70	19.28	8.71	167.929
9	1.03	1.06	0.09	0.51	0.34	0.12	0.024	0.11	2.68	24.36	8.98	218.753
10	1.00	1.00	0.08	0.50	0.33	0.11	0.022	0.10	2.68	26.80	9.12	244.416
										121.51		991.23
										2		2
										243.02		1982.46
										ΣJ		ΣyJ

$\frac{\Sigma yJ}{\Sigma J} = \frac{1982.46}{243.02} = 8.1576$

TABLE II.—COMPUTATION OF H_1 .

Point No.	1	2	3	4	5	6	7	8	9
	J .	$y \frac{\Sigma yJ}{\Sigma J}$ or $\frac{\Sigma yJ}{y - 8.1576}$.	$J(y - 8.1576)$ B .	$yJ(y - 8.1576)$ C .	$P_1 = 1 = P_1'$.		$P_2 = 1 = P_2'$.		x .
					m_z .	$m_z B$.	m_z .	$m_z B$.	
1	0.66	-7.0576	-4.658	-5.1238	1.34		1.34	-6.242	1.34
2	1.51	-5.1076	-7.712	-23.5256	1.34		4.02	-31.002	4.02
3	3.42	-3.4976	-11.962	-55.7412	1.34		4.02	-48.087	6.70
4	7.89	-2.2076	-17.418	-103.6379	1.34		4.02	-70.020	9.38
5	10.41	-1.1776	-12.259	-85.5667	1.34		4.02	-49.281	12.06
6	11.96	-0.3876	-4.636	-36.0192	1.34		4.02	-18.637	14.74
7	15.22	+0.1424	+2.167	+17.9888	1.34		4.02	+8.711	17.42
8	19.28	+0.5524	+10.650	+92.7639	1.34		4.02	+42.813	20.10
9	24.36	+0.8224	+20.034	+179.9024	1.34		4.02	+80.537	22.78
10	26.80	+0.9624	+25.792	+235.2259	1.34		4.02	+103.684	25.46
	121.51		-58.645	-309.6144				-223.269	
			+58.643	+525.8810				+235.745	
			ΣB	ΣC				+12.476	
			0.002	+216.2666				$\Sigma m_z B$	
								$\Sigma m_z B$	
									$2H_1 = 0$
									0.0576

TABLE II.—COMPUTATION OF H_1 —*Concluded*.

Point No.	10		11		12		13		14		15		16		17		z.
	$P_3 - 1 - P_3'$		$P_4 - 1 - P_4'$		$P_5 - 1 - P_5'$		$P_6 - 1 - P_6'$		$P_7 - 1 - P_7'$		$P_8 - 1 - P_8'$		$P_9 - 1 - P_9'$		$P_{10} - 1 - P_{10}'$		
	m_z	$m_z B$	m_z	$m_z B$	m_z	$m_z B$	m_z	$m_z B$	m_z	$m_z B$	m_z	$m_z B$	m_z	$m_z B$	m_z	$m_z B$	
1	1.34	- 6.242	1.34	- 6.242	1.34	- 6.242	1.34	- 6.242	1.34	- 6.242	1.34	- 6.242	1.34	- 6.242	1.34	- 6.242	1.34
2	4.02	- 31.002	4.02	- 31.002	4.02	- 31.002	4.02	- 31.002	4.02	- 31.002	4.02	- 31.002	4.02	- 31.002	4.02	- 31.002	4.02
3	6.70	- 80.145	6.70	- 80.145	6.70	- 80.145	6.70	- 80.145	6.70	- 80.145	6.70	- 80.145	6.70	- 80.145	6.70	- 80.145	6.70
4	6.70	- 116.701	9.38	- 103.381	9.38	- 103.381	9.38	- 103.381	0.38	- 163.381	9.38	- 163.381	9.38	- 163.381	9.38	- 163.381	9.38
5	6.70	- 82.135	9.38	- 114.98	9.38	- 114.98	9.38	- 114.98	12.06	- 147.844	12.06	- 147.844	12.06	- 147.844	12.06	- 147.844	12.06
6	6.70	- 31.061	9.38	- 43.486	9.38	- 43.486	9.38	- 43.486	12.06	- 55.910	12.06	- 55.910	14.74	- 68.335	14.74	- 68.335	14.74
7	6.70	+ 14.519	9.38	+ 20.326	9.38	+ 20.326	9.38	+ 20.326	12.06	+ 26.134	12.06	+ 26.134	14.74	+ 31.942	14.74	+ 31.942	17.42
8	6.70	+ 71.355	9.38	+ 99.897	9.38	+ 99.897	9.38	+ 99.897	12.06	+ 128.439	12.06	+ 128.439	14.74	+ 156.981	14.74	+ 156.981	20.10
9	6.70	+ 134.228	9.38	+ 187.919	9.38	+ 187.919	9.38	+ 187.919	12.06	+ 241.610	12.06	+ 241.610	14.74	+ 295.301	14.74	+ 295.301	22.78
10	6.70	+ 172.806	9.38	+ 241.929	9.38	+ 241.929	9.38	+ 241.929	12.06	+ 311.052	12.06	+ 311.052	14.74	+ 380.174	14.74	+ 380.174	25.46
		+ 392.908		+ 550.071		+ 550.071		+ 550.071		+ 707.235		+ 707.235		+ 864.398		+ 864.398	
		- 347.286		- 439.245		- 439.245		- 439.245		- 484.524		- 484.524		- 496.949		- 496.949	
		+ 45.622		+ 110.826		+ 110.826		+ 110.826		+ 222.711		+ 222.711		+ 367.449		+ 367.449	
		$\Sigma m_z B$		$\Sigma m_z B$		$\Sigma m_z B$		$\Sigma m_z B$		$\Sigma m_z B$		$\Sigma m_z B$		$\Sigma m_z B$		$\Sigma m_z B$	
		$2H_1 = 0.2109$		0.5123		1.0208		1.6990									

Point No.	18		19		20		21		22		23		24		25		
	$P_7 - 1 - P_7'$		$P_8 - 1 - P_8'$		$P_9 - 1 - P_9'$		$P_{10} - 1 - P_{10}'$		$P_7 - 1 - P_7'$		$P_8 - 1 - P_8'$		$P_9 - 1 - P_9'$		$P_{10} - 1 - P_{10}'$		
	m_z	$m_z B$	m_z	$m_z B$	m_z	$m_z B$	m_z	$m_z B$	m_z	$m_z B$	m_z	$m_z B$	m_z	$m_z B$	m_z	$m_z B$	
1																	
2																	
3																	
4																	
5																	
6																	
7	17.42	+ 37.749	17.42	+ 37.749	17.42	+ 37.749	17.42	+ 37.749	17.42	+ 37.749	17.42	+ 37.749	17.42	+ 37.749	17.42	+ 37.749	
8	17.42	+ 185.523	20.10	+ 214.065	20.10	+ 214.065	20.10	+ 214.065	20.10	+ 214.065	20.10	+ 214.065	20.10	+ 214.065	20.10	+ 214.065	
9	17.42	+ 348.992	20.10	+ 402.683	20.10	+ 402.683	20.10	+ 402.683	22.78	+ 456.374	22.78	+ 456.374	22.78	+ 456.374	22.78	+ 456.374	
10	17.42	+ 449.297	20.10	+ 518.419	20.10	+ 518.419	20.10	+ 518.419	22.78	+ 587.542	22.78	+ 587.542	25.46	+ 650.664	25.46	+ 650.664	
		+ 1021.561		+ 1172.916		+ 1172.916		+ 1172.916		+ 1295.730		+ 1295.730		+ 1364.852		+ 1364.852	
		- 496.949		- 496.949		- 496.949		- 496.949		- 496.949		- 496.949		- 496.949		- 496.949	
		+ 524.612		+ 675.967		+ 675.967		+ 675.967		+ 798.781		+ 798.781		+ 867.903		+ 867.903	
		$\Sigma m_z B$		$\Sigma m_z B$		$\Sigma m_z B$		$\Sigma m_z B$		$\Sigma m_z B$		$\Sigma m_z B$		$\Sigma m_z B$		$\Sigma m_z B$	
		$2H_1 = 2.4257$		3.1256		3.6035		4.0131									

$\frac{\delta x}{2} = 1.34$, or one half of one of the twenty divisions into which we divided the span of the axis. The first five columns of Table III give the complete determination of $\frac{\Sigma x^2 \Delta}{\Sigma x \Delta} = 30.373$.

$$\Sigma \Delta \left(\frac{1}{2} l - \frac{\Sigma x^2 \Delta}{\Sigma x \Delta} \right) = 243.02(26.8 - 30.373) = -868.304.$$

We now have

$$m_1 = \frac{\Sigma m_x \Delta (x - 30.373)}{-868.304}.$$

Cols. 6, 7, 8, and 9 give the deduction of $\Delta(x - 30.373)$, and in col. 9 the algebraic sum is found to be -868.308 , which should equal the denominator when all work is correct. In this case the difference is 4 in the third decimal place (see cols. 10, 11, and 12).

The next step is the computation of

$$\frac{\Sigma m_x \Delta (x - 30.373)}{-868.304} = \frac{\Sigma \frac{m_x}{1.34} \Delta (x - 30.373)}{-648}.$$

This may be written

$$-m_1 = R_1 \sum_{x=0}^{x=a} \frac{\Delta(x - 30.373)}{648 \times 1.34} x + R_2 \sum_{x=0}^{x' < l-a} \frac{\Delta(x - 30.373)}{648 \times 1.34} x',$$

since

$$m_x = R_1 x \quad \text{for } x=0 \text{ to } x=a$$

and

$$m_x = R_2 x' \quad \text{for } x=a \text{ to } x=l, \quad x' = l-x.$$

TABLE III.—COMPUTATION OF M_1 .

Point.	1	2	3	4	5	6	7	8	9
	$\frac{x}{1.34}$ z.	$\frac{x^2}{(1.34)^2}$ $\frac{x^2}{z^2}$.	A.	Σ^2 .	$\Sigma^2 A$.	x.	$\frac{\Sigma x^2 A}{x - 30.373}$ or $\frac{\Sigma x^2 A}{x - 30.373}$.	A.	$A \left(\frac{\Sigma x^2 A}{A(x - 30.373)} \right)$ or $A \left(\frac{\Sigma x^2 A}{A(x - 30.373)} \right)$.
1	1	1	0.66	1522	1004.52	1.34	-20.033	0.66	-19.162
2	3	9	1.51	1378	2080.78	4.02	-26.353	1.51	39.793
3	5	25	3.42	1250	4275.00	6.70	-23.073	3.42	80.961
4	7	49	7.89	1138	8978.82	9.38	-20.993	7.89	165.635
5	9	81	10.41	1042	10847.22	12.06	-18.313	10.41	190.638
6	11	121	11.96	962	11505.52	14.74	-15.033	11.96	186.971
7	13	169	15.22	898	13667.56	17.42	-12.953	15.22	197.145
8	15	225	19.28	850	16388.00	20.10	-10.273	19.28	108.063
9	17	289	24.36	818	19926.48	22.78	-7.593	24.36	184.965
10	19	361	26.80	802	21493.60	25.46	-4.913	26.80	131.668
10'	21	441				28.14	-2.233	26.80	59.844
9'	23	529	121.51	Symmetrical	110167.50	30.82	+0.447	24.36	10.889
8'	25	625	2	values	33.50	33.50	+3.127	19.28	60.289
7'	27	729		combined	36.18	36.18	+5.807	15.22	88.383
6'	29	841	243.02		38.86	38.86	+8.487	11.96	101.505
5'	31	961			41.54	41.54	+11.167	10.41	116.248
4'	33	1089			44.22	44.22	+13.847	7.89	109.253
3'	35	1225			46.90	46.90	+16.527	3.42	56.522
2'	37	1369			49.58	49.58	+19.207	1.51	29.003
1'	39	1521			52.26	52.26	+21.887	0.66	14.445
								243.02	+586.537
								ΣA	-1454.845
									-868.308
									$\Sigma A \left(\frac{\Sigma x^2 A}{\Sigma x^2 A} \right)$

TABLE III.—COMPUTATION OF M_1 —(Continued).

Point.	10	11	12	13	14	15	16	17	18	19
	$x - \frac{1}{2}$ or $x - 20.8$.	$x \Delta$.	$x \Delta(x - \frac{1}{2})$ or $x \Delta(x - 20.8)$.	$\left(\frac{x^2 x^2 \Delta}{x \Delta} \right) \Delta$ 868.304 + 1.34 or $\Delta(x - 30.373)$ 648	$x + 1.34$.	$(1-x) + 1.34$.	R_1 .	R_2 .	$\frac{\Delta(x - 30.373)}{648 \times 1.34}$.	$\frac{\Delta(x - 30.373) \Delta^2}{648 \times 1.34}$.
1	- 25.46	0.88	855.711	- 0.0296	1	39	.975	.025	- 0.0296	- 1.1544
2	- 22.78	6.07	1507.204	- .0614	3	37	.925	.075	- .1842	- 2.2718
3	- 20.10	22.91	2763.549	- .125	5	35	.875	.125	- .625	- 4.375
4	- 17.42	74.01	4788.584	- .256	7	33	.825	.175	- 1.792	- 8.448
5	- 14.74	125.54	4523.559	- .394	9	31	.775	.225	- 2.646	- 9.114
6	- 12.06	176.29	3479.069	- .289	11	29	.725	.275	- 3.179	- 8.381
7	- 9.38	265.13	2678.271	- .304	13	27	.675	.325	- 3.952	- 8.208
8	- 6.70	387.53	1730.945	- .306	15	25	.625	.375	- 4.590	- 7.050
9	- 4.02	554.92	787.357	- .285	17	23	.575	.425	- 4.845	- 6.555
10	- 1.34	682.33	96.231	- .203	19	21	.525	.475	- 3.857	- 4.263
10'	+ 1.34	754.15	23270.543	- .0924	21	19	.475	.525	- 1.9404	- 1.7556
9'	+ 4.02	750.78	0168	+ .0168	23	17	.425	.575	+ 0.3864	+ 0.2856
8'	+ 6.70	645.88	$\Sigma x \Delta \left(x - \frac{1}{2} \right)$	+ .0934	25	15	.375	.625	+ 2.335	+ 1.401
7'	+ 9.38	550.66	$\Sigma x \Delta \left(x - \frac{1}{2} \right)$	+ .130	27	13	.325	.675	+ 3.072	+ 1.768
6'	+ 12.06	464.77	86.304	+ .157	29	11	.275	.725	+ 4.553	+ 1.727
5'	+ 14.74	432.43	86.304	+ .179	31	9	.225	.775	+ 5.549	+ 1.611
4'	+ 17.42	348.90	86.304	+ .169	33	7	.175	.825	+ 5.577	+ 1.183
3'	+ 20.10	160.40	86.304	+ .0872	35	5	.125	.875	+ 3.052	+ 0.436
2'	+ 22.78	74.87	86.304	+ .0447	37	3	.075	.925	+ 1.6539	+ 0.1341
1'	+ 25.46	34.49	86.304	+ 0.0221	39	1	.025	.975	+ 0.8697	+ 0.0223
	- 134.00		$\Sigma \left(\frac{x^2}{2} - \frac{1}{2} \right) \Delta$	10.9954					- 27.6402	+ 8.5686
	+ 134.00		$\Sigma \left(\frac{x^2}{2} - \frac{1}{2} \right) \Delta$	- 2.2454					+ 27.6480	- 62.1758
	0.00		$\Sigma(x - 20.8)$	- 1.3400					+ .0076	- 53.0076
									$\Sigma = 0$	$\Sigma = L$

TABLE III.—COMPUTATION OF M_1 —(Concluded).

Point.	20	21	22	23	24	25	26	27
	$\frac{r}{6} \frac{d(x-30.373)}{dx} \times 1.34$ See Col. 18.	$\frac{r}{6} \frac{d(x-30.373)}{dx} \times 1.34$ See Col. 19.	R_1 "A".	R_2 "B".	-wt.	$H_1 \frac{\Sigma y^2}{\Sigma d}$ or $8.1576H_1$.	M_1 Unit Loading.	M_1 For Symmetrical Loading.
1	0.0206	-52.4534	0.0280	-1.311	-1.339	0	1.339	-1.339
2	0.2138	-50.1816	0.198	-3.764	-3.902	0.235	3.727	-3.536
3	0.8388	-45.8066	0.734	-5.726	-6.460	0.860	5.600	-4.918
4	2.6308	-37.3586	2.170	-6.538	-8.708	2.089	6.619	-5.016
5	5.2768	-28.2446	4.090	-6.355	-10.445	4.200	6.245	-3.177
6	8.4558	-19.8636	6.130	-5.463	-11.593	6.930	4.663	+0.131
7	12.4078	-11.6556	8.375	-3.788	-12.163	9.804	2.269	+4.171
8	16.9978	-4.0056	10.624	-1.502	-12.126	12.749	0.623	+8.328
9	21.8428	+2.5494	12.560	+1.084	-11.476	15.065	+3.589	+11.833
10	25.6908	+6.8124	13.492	+3.236	-10.256	16.368	+6.112	+13.849
10'	27.6402	+8.5680	13.129	+4.498	-8.631	16.968	+7.737	
9'	27.2538	+8.2824	11.583	+4.762	-6.821	15.065	+8.244	
8'	24.0188	+6.8814	9.345	+4.301	-5.044	12.749	+7.795	
7'	21.2468	+5.1134	6.905	+3.451	-3.454	9.894	+6.440	
6'	16.6938	+3.3864	4.591	+2.455	-2.136	6.930	+4.794	
5'	11.1448	+1.7754	2.508	+1.376	-1.132	4.200	+3.068	
4'	5.5678	+0.5924	0.974	+0.489	-0.486	2.089	+1.603	
3'	2.5158	+0.1504	0.315	+0.137	-0.178	0.860	+0.682	
2'	0.8619	+0.0223	0.0616	+0.0206	-0.044	0.235	+0.191	
1'	0					0	0	
	"A."	"B."						
							-30.462	
							+50.788	
							+20.326	
							ΣM_1	

Dividing both numerator and denominator by 1.34, x becomes z and the denominator 648. Cols. 14 to 26 inclusive show the solution of the above equation in detail. As checks col. 18 should sum zero and col. 19 have an algebraic sum equal to the span, in this case 53.6. The error in each case is 0.0078.

Cols. 26 and 27 give the values of M_1 for unit loads.

74. Values of V_1, y_1, y_2, y_0 , etc., for Unit Loads.—These quantities are quickly determined as shown in Table IV, which also contains for convenience in future calculations the values of \sum_0^x of H_1, V_1, V_2, M_1 , and M_2 .

75. Values of H_1 and M_1 for the Dead Load.—Since the span is divided into equal parts, the dead load at each point equals $140 \times 2.68 \times$ the ordinate from the intrados to the roadway, nearly; so it is unnecessary to carry the common factor 375.2 through the work. Column 2 of Table V, page 98, contains the ordinates which must be multiplied by 375.2 in order to obtain the dead load assumed at each point.

Tables V and VI give the values of H_1 and M_1 as found by considering each load separately, and also by considering the loading as a whole. For M_1 we have -40.289 and -40.301 . For H_1 we have 46.504 and 46.502 , in both cases close agreement.

76. Location of the Equilibrium Polygon for the Dead Load.—Knowing H_1, V_1 , and M_1 we can graphically locate the polygon. The algebraic determination of $M_x \div H_1$, however, is more accurate and requires hardly any more time. From Arts. 16 and 17,

$$\frac{M_x}{H_1} = \left(y - \frac{\sum yd}{\sum d} \right) - \left(m_x - \frac{\sum m_x d}{\sum d} \right) \frac{1}{H_1}.$$

TABLE IV.—VALUES OF $V_1, \gamma_1, \gamma_0, \gamma_0$, ETC.

Point No.	1	2	3	4	5	6	7	8
	$\gamma_1 = \frac{M_1}{H_1}$	$V_1 = \frac{M_2 - M_1}{L} + K_1$	$\gamma_0 = \gamma_1 + \frac{V_1 a}{H_1}$	$\frac{V_1}{\gamma_1}$	$\frac{V_0}{\gamma_0}$	$\frac{H_1}{\gamma_0}$	$\frac{M_1}{\gamma_0}$	$\frac{M_0}{\gamma_0}$
1	∞	1.000	1.000	0	0	- 1.339	0
2	- 129.41	.998	9.86	1.998	.002	.0288	- 5.066	+ 0.191
3	- 53.13	.992	9.93	2.990	.010	.1342	- 10.666	+ 0.873
4	- 25.84	.978	10.02	3.968	.032	.3903	- 17.285	+ 2.476
5	- 12.13	.948	10.07	4.916	.084	.9052	- 23.530	+ 5.544
6	- 5.40	.901	10.15	5.817	.183	1.7547	- 28.193	+ 10.338
7	- 1.87	.837	10.15	6.654	.346	2.9675	- 30.402	+ 16.778
8	+ 0.39	.757	10.13	7.411	.589	4.5303	- 29.839	+ 24.483
9	+ 1.94	.662	10.11	8.073	.927	6.3770	- 26.250	+ 32.727
10	+ 3.04	.555	10.08	8.628	1.372	8.3835	- 20.138	+ 40.464
10'	+ 3.85	.445		9.073	1.927	10.3900	- 12.401	+ 46.576
9'	+ 4.46	.338		9.411	2.580	12.3367	- 4.157	+ 50.165
8'	+ 4.93	.243		9.654	3.346	13.7995	+ 3.548	+ 50.788
7'	+ 5.31	.163		9.817	4.183	15.0123	+ 9.998	+ 48.519
6'	+ 5.64	.099		9.916	5.084	15.8618	+ 14.782	+ 43.856
5'	+ 5.96	.052		9.968	6.032	16.3767	+ 17.850	+ 37.611
4'	+ 6.26	.022		9.990	7.010	16.6328	+ 19.453	+ 30.992
3'	+ 6.47	.008		10.000	8.002	16.7382	+ 20.135	+ 25.392
2'	+ 6.63	.002		10.000	9.000	16.7670	+ 20.326	+ 21.665
1'	—	0		10.000	10.000	16.7670	+ 20.326	+ 20.326

TABLE V.— H_1 , AND M_1 FOR DEAD LOAD.

Point No.	1	2	3	4	5	6	7	8
	$H_1, P - P^0 = 1$, Table II.	$P,$ Dead Load.	$H_1,$ Dead Load. (1) X (2).	$M_1,$ $P - P^0 = 1$, Table III.	$M_1,$ Dead Load. (2) X (4).	$m_1,$ Table VI, Col. 6.	$d,$ Table I, Col. 10.	$m_1 d.$
1+1'	0	11.50	- 1.330	- 15.399	69.04	0.66	45.57
2+2'	0.0576	9.55	.5501	- 3.530	- 33.769	176.29	1.51	266.20
3+3'	0.2109	7.30	1.5306	- 4.918	- 35.901	257.95	3.42	882.19
4+4'	0.5123	5.63	2.8842	- 5.016	- 28.240	320.05	7.89	2525.19
5+5'	1.0298	4.40	4.5311	- 3.177	- 13.979	367.05	10.41	3820.99
6+6'	1.6990	3.55	6.0315	+ 0.131	+ 0.465	402.27	11.96	4811.15
7+7'	2.4257	2.93	7.1073	+ 4.171	+ 12.221	427.97	15.22	6513.70
8+8'	3.1256	2.45	7.6577	+ 8.328	+ 20.404	445.82	19.28	8595.40
9+9'	3.6935	2.18	8.0518	+ 11.833	+ 25.796	457.10	24.36	11134.06
10+10'	4.0131	2.03	8.1466	+ 13.849	+ 28.113	462.54	26.80	12396.07
	16.7675	51.52 2	46.5019	- 30.462 + 50.788	- 127.288 + 86.999		121.51 2	59991.42 2
		103.04		+ 20.326	- 40.289		243.02	101982.84

Check calculations for M_1 .

For symmetrical loading $M_1 = H_1 \frac{\sum y_j}{2d} - \frac{\sum m_1 d}{2d} = 379.345 - 419.646 = - 40.301$ for dead load.

TABLE VII.—LOCATION OF EQUILIBRIUM POLYGON FOR DEAD LOAD.

Point No.	1	2	3	4	5	6	7	8
	m_x , Table VI.	$\frac{\sum m_x d}{\sum J}$	$m_x - \frac{\sum m_x d}{\sum J}$	$\frac{\sum m_x d}{H_1}$	$\gamma - \frac{\sum y d}{\sum J}$, Table II, Col. 2.	$\frac{M_x}{H_1}$	Above or below Axis of Arch.	Remarks.
0	0	419.65	-419.65	-9.000	-8.158	0.844	below	The moment M_x at any point equals the ordinate in Col. 6 multiplied by H_1 .
1	69.04	419.65	-350.61	-7.540	-7.958	0.482	"	
2	176.29	419.65	-243.36	-5.234	-5.108	0.126	"	
3	257.95	419.65	-161.70	-3.477	-3.498	0.021	above	
4	320.05	419.65	-99.60	-2.144	-2.208	0.064	"	
5	367.05	419.65	-52.60	-1.131	-1.178	0.047	"	
6	402.27	419.65	-17.38	-0.373	-0.388	0.015	"	
7	427.97	419.65	+ 8.32	+0.179	+0.142	0.037	"	
8	445.82	419.65	+ 26.17	+0.503	+0.552	0.011	"	
9	457.10	419.65	+ 37.45	+0.805	+0.822	0.017	below	
10	462.54	419.65	+ 42.89	+0.923	+0.962	0.039	"	

$$\frac{M_x}{H_1} = \left(\gamma - \frac{\sum y d}{\sum J} \right) - \left(m_x - \frac{\sum m_x d}{\sum J} \right) \frac{1}{H_1} = (\gamma - 8.158) - (m_x - 419.65) \frac{1}{46.5}$$

Table VII gives the values of $\frac{M_x}{H_1}$ in col. 6, showing that the polygon nearly coincides with the arch axis.

77. Maximum Fiber Stresses Produced by the Dead Load at Point 1.

Moment of inertia = 5.17 = I .

Area of section in equivalent concrete = 3 80 + 0.20
= 4.00 sq. ft. = F .

Dist. outermost fiber of concrete from neut. axis = 1.90 = z .

“ c.g. of steel above or below neutral axis = 1.73 = z' .

$x = 1.34$, $y = 1.10$. $\sin \phi = 0.618$, $\cos \phi = 0.786$.

$$M_x = M_1 + V_1x - H_1y,$$

$$N_x = V_1 \sin \phi + H_1 \cos \phi,$$

$$T_x = V_1 \cos \phi - H_1 \sin \phi,$$

$$M_1 = -40.289(375.2) = -15116,$$

$$H_1 = +46.502(375.2) = 17448,$$

$$V_1 = 51.520(375.2) = 19330,$$

$$H_1y = 17448(1.10) = 19193,$$

$$V_1x = 19330(1.34) = 25902.$$

Then

$$M_x = -15116 + 25902 - 19193 = -8400.$$

From Table VII we have

$$M_x = 17448(-0.482) = -8200,$$

a difference of 200 pounds per square foot.

$$N_x = 19330(0.618) + 17448(0.786) = 25660,$$

$$p = \frac{N_x}{4} \pm 0.367(M_x) = \frac{25660}{4} \pm 0.367(-8400).$$

$\therefore p = 9500$ comp. in the lower fibers of concrete

and 3300 comp. in the upper fibers of concrete

The unit stresses in the steel are as follows:

$$p' = \left\{ \frac{N_x}{4} \pm 0.334M_x \right\} 20 = (6415 \pm 2800) 20.$$

$\therefore p' = 184300$ comp. in lower steel
and 72300 comp. in upper steel.

The above unit stresses are pounds per square foot. Reducing them to pounds per square inch,

the maximum compression in the concrete is 66 lbs.
and " " " " " steel is 1280 lbs.

These values are quite insignificant when compared with the ultimate strengths of the materials.

78. Maximum Fiber Stresses Produced by the Live Load at Point 1.—From Plate III we see that loads 1–7 inclusive produce one kind of stress and loads 8–1' inclusive the opposite kind.

A live load of 112 pounds per square foot of roadway is equivalent to about 300 pounds for each division of the span. For loads 1–7 inclusive the fiber stresses are obtained as follows (see Table IV):

$$M_1 = -30.462(300) = -9139$$

$$H_1 = 2.9675(300) = 890$$

$$V_1 = 6.654(300) = 1996$$

$$M_x = -9139 + 2680 - 979 = -7438$$

$$V_1 \sin \phi = 2000(0.618) = 1236$$

$$H_1 \cos \phi = 890(0.786) = 700$$

$$\therefore N_x = \underline{1936}$$

$$p = \frac{1926}{4} \pm 7438(0.367)$$

$$= 3214 \text{ compression in lower fibers of concrete}$$

and 2246 tension in upper fibers of concrete.

For the steel we obtain

$$p' = \left\{ \frac{1936}{4} \pm 7438(0.334) \right\} 20 = 59400 \text{ comp. in lower steel}$$

$$\text{and } 40000 \text{ tension in upper steel.}$$

For loads 8-1' inclusive we have (see Table IV)

$$M_1 = 50.788(300) = +15236$$

$$H_1 = 13.7995(300) = 4140$$

$$V_1 = 3.346(300) = 1000$$

$$M_x = +15236 + 1340 - 4550 = +11330$$

$$V_1 \sin \phi = 1000(0.618) = 620$$

$$H_1 \cos \phi = 4140(0.786) = 3250$$

$$\therefore N_x = \underline{3870}$$

$$p = \frac{3870}{4} \pm 13330(0.367)$$

$$= 5860 \text{ compression in upper fibers of concrete}$$

and 3920 tension in lower fibers of concrete.

For the steel,

$$p' = [970 \pm 13330(0.334)] 20 = 108400 \text{ comp. in the upper steel}$$

$$\text{and } 69600 \text{ tens. in the lower steel.}$$

79. Maximum Fiber Stresses Produced by the Dead Load at Point 7.

Moment of inertia = 0.18 (see Table I).

Area of section in equiv. conc. = 1.19 + 0.20 = 1.39 sq. ft.

$$z = 0.60, \quad z' = 0.43, \quad x = 17.42, \quad y = 8.3.$$

$$\sin \phi = 0.208, \quad \cos \phi = 0.978, \quad M_1 = -15116$$

$$M_x = M_1 + V_1x - H_1y - \bar{\Sigma}P(x-a), \quad H_1 = 17448$$

$$N_x = (V_1 - \bar{\Sigma}P) \sin \phi + H_1 \cos \phi, \quad V_1 = 19330,$$

$$T_x = (V_1 - \bar{\Sigma}P) \cos \phi - H_1 \sin \phi, \quad \bar{\Sigma}P = 15732,$$

$$V_1x = 336728, \quad H_1y = 144818, \quad \bar{\Sigma}P(x-a) = 176241,$$

$$\therefore M_x = +553.$$

From Table VII,

$$M_x = 17448(+0.037) = +646.$$

This indicates a large percentage of error. The error is of no consequence as it amounts to less than 3 pounds per square inch fiber stress. In order that col. 6 of Table VII should be correct much greater accuracy would be required in the previous work. For practical purposes, however, col. 6 is quite accurate enough.

$$(V_1 - \bar{\Sigma}P) \sin \phi = 749, \quad H_1 \cos \phi = 17064.$$

$$\therefore N_x = 17813.$$

$$p = \frac{N_x}{1.39} \pm M_x(3\frac{1}{8}) = 12820 \pm 1843,$$

or $p = 14663$ compression in upper fibers of concrete
 and $p = 10977$ compression in lower fibers of concrete.

For the steel,

$$p' = \left\{ \frac{N_x}{1.39} \pm M_x(2.4) \right\} 20 = \{12820 \pm 1327\} 20$$

or $p' = 282940$ compression in upper steel
 and $p' = 229860$ compression in lower steel.

80. Maximum Fiber Stresses Produced by the Live Loads at Point 7.—From Plate III we find that loads 1–8 inclusive produce positive moments at this point and loads 9–1' negative moments.

Considering first, loads 1–8 inclusive: from Table IV,

$$M_1 = -29.839(300) = -8952, \quad (V_1 - \sum P)\sin\phi = 88,$$

$$H_1 = 4.53(300) = 1359, \quad H_1 \cos\phi = 1329.$$

$$V_1 = 7.411(300) = 2223, \quad \therefore N_x = 1417.$$

$$V_1x = 2223(17.42) = 38725,$$

$$H_1y = 1359(8.3) = 11280,$$

$$\sum P(x-a) = 16884. \quad \therefore M_x = +1609.$$

$$p = \frac{1417}{1.39} \pm 1610(3\frac{1}{2}) = 1020 \pm 5367.$$

Then

$p = 4347$ tension in the lower fibers of concrete

and $p = 6387$ compression in the upper fibers of concrete.

For the steel we have

$$p' = \{1020 \pm 1610(2.4)\} 20 = \{1020 \pm 3864\} 20,$$

or $p' = 56880$ tension in the lower steel

and $p' = 97680$ compression in the upper steel.

Proceeding in a manner similar to that employed above for loads 8-1' we obtain

$p = 8040$ compression in lower fibers of concrete

and $p = 2640$ tension in upper fibers of concrete,

$p' = 145280$ compression in lower steel

and $p' = 37280$ tension in upper steel.

81. Maximum Fiber Stresses Produced at Points 1 and 7 by the Dead and Live Loads.—Tabulating the above results and combining those producing maximums we have the results given in the table at top of page 107.

The maximum stress in the concrete is 146 pounds compression per square inch and in the steel 2650 pounds compression per square inch, values considerably below the allowable. There is no tension at these points.

82. Temperature Stresses.—For a change of temperature of $\pm 40^\circ$ F. the horizontal thrust is 6500 when $E = 1500000$ and $e = 0.000006$.

MAXIMUM FIBER STRESSES.
(POUNDS PER SQUARE FOOT.)

Loads, etc.	Concrete.		Steel.		Point.
	Upper.	Lower.	Upper.	Lower.	
Dead load.....	+ 3300	+ 9500	+ 72300	+ 184300	1
Live load 1-7.....	- 2240	+ 3214	- 40000	+ 59400	1
“ “ 8-1'.....	+ 5860	- 3920	+ 108400	- 69600	1
Maximum compression...	9160	12714	180700	243700	1
“ tension.....	0	0	0	0	1
Dead load.....	+ 14663	+ 10977	+ 282940	+ 229860	7
Live load 1-8.....	+ 6384	- 4347	+ 97680	- 56880	7
“ “ 9-1'.....	- 2640	+ 8040	- 37280	+ 145280	7
Maximum compression...	21047	19017	380620	375140	7
“ tension.....	0	0	0	0	7

$$M_x = 6500 \left(y - \frac{\Sigma yd}{\Sigma A} \right) = 6500(y - 8.1576),$$

$$N_x = H \cos \phi = 6500 \cos \phi.$$

For point 1,

$$M_x = 6500(7.06) = 45900,$$

$$N_x = 6500(0.786) = 5100.$$

For a drop of 40° F.,

$$p = -\frac{5100}{4} \mp 45900(0.367) = -1275 \mp 16850,$$

or $p = 18125$ tension in upper fibers of concrete

and $p = 15575$ compression in lower fibers of concrete.

For the steel,

$$p' = 332100 \text{ tension in upper steel}$$

and $p' = 281100$ compression in lower steel.

For point 7,

$$M_x = 6500(0.142) = 923,$$

$$N_x = 6500(0.978) = 6400.$$

For a drop of 40° F.,

$$p = \frac{-923}{1.39} \mp 6400(3\frac{1}{2}) = -664 \mp 21333,$$

or $p = 22000$ tension in upper fibers of concrete

and $p = 20700$ compression in lower fibers of concrete.

For the steel,

$$p' = [-623 \mp 6400(2.4)]20 = -12460 \mp 307200$$

or $p' = 319700$ tension in upper steel

and $p' = 294700$ compression in lower steel.

A rise of 40° F. will reverse the above stresses.

83. Maximum Stresses Produced by Dead Load, Live Load, and Changes of Temperature.—Combining the stresses of Art. 81 and 82 we have:

Point 1:

$$\left. \begin{array}{l} p = 27285 \text{ compression} \\ 17065 \text{ tension} \end{array} \right\} \text{upper fibers of concrete;}$$

$$\left. \begin{array}{l} p = 28289 \text{ compression} \\ 10000 \text{ tension} \end{array} \right\} \text{lower fibers of concrete;}$$

$$\left. \begin{array}{l} p' = 512800 \text{ compression} \\ 300000 \text{ tension} \end{array} \right\} \text{upper steel;} \\ \left. \begin{array}{l} p' = 524800 \text{ compression} \\ 166400 \text{ tension} \end{array} \right\} \text{lower steel.}$$

Point 7:

$$\left. \begin{array}{l} p = 43000 \text{ compression} \\ 10000 \text{ tension} \end{array} \right\} \text{upper fibers of concrete;} \\ \left. \begin{array}{l} p = 39700 \text{ compression} \\ 14100 \text{ tension} \end{array} \right\} \text{lower fibers of concrete;} \\ \left. \begin{array}{l} p' = 700300 \text{ compression} \\ 74400 \text{ tension} \end{array} \right\} \text{upper steel;} \\ \left. \begin{array}{l} p' = 669800 \text{ compression} \\ 121700 \text{ tension} \end{array} \right\} \text{lower steel.}$$

The allowable compression in the concrete, when temperature is considered, may be assumed at $800 \times 1.44 = 115200$ pounds per square foot, and the tension at 11500 pounds per square foot.

In compression the maximum stresses are considerably less than the allowable, while in tension they are much larger. Yet if the tensile strength of concrete is taken as one tenth the compressive strength, the above stresses are less than the ultimate strength of the material. If it should happen that a maximum change of temperature and a maximum live load should occur at the same time, the concrete would probably crack, but the steel and the compression concrete have ample margin to cover this contingency. It is quite improbable that a range of $\pm 40^\circ$ F. ever occurs, so the two sections may

be considered safe. The crown should be examined in an actual case. Although the live-load moment will be small, the temperature moment will be considerably larger than at point 7.

84. The Axial Stress.—Thus far the effect of the axial stress has been neglected. Proceeding in the manner followed in example 1, the value of H_a is found to be about 6.7% of H_1 . The effect is seen to be somewhat less than in the previous example. As the rise of the span increases the effect grows less.

85. Assumption that Steel Resists Entire Bending Moment Due to Changes of Temperature at Point 1.

Max. comp. in upper steel due to D.L. + L.L. = 1255 lbs. per sq. in.

Max. comp. in lower steel due to D.L. + L.L. = 1700 lbs. per sq. in.

Moment due to $\pm 40^\circ = \pm 45900$ ft.-lbs.

Area of steel = $\frac{1}{2}[\frac{3}{4}(2\frac{5}{8} - \frac{3}{4})] = 0.70$ sq. in.

Dist. c. c. steel = $3.80 - 0.34 = 3.46$ ft.

Total stress in steel = $\frac{45900}{3.46} = 13300$ lbs.

Stress per sq. in. = $\frac{13300}{0.70} = 19000$ lbs.

Max. comp. = $19000 + 180 + 1700 = 20880$ lbs. per sq. in.

Max. tension = $-19000 - 180 + 1225 = 17960$ lbs. per sq. in.

All well within the elastic limit of the steel.

This shows that even if the ring should crack entirely through at point 1, the steel would safely carry the maximum temperature moment even when combined with the dead- and live-load stresses.

A brief calculation for point 7 and the crown shows that the steel is here stressed well within the elastic limit.

86. **Third Example.**—In this example we will take the data used in the second example and show how the computations of H_1 and M_1 can be quite rapidly made.

87. **The Computation of H_1 .**—The equation used in the former calculations was

$$H_1 = \frac{\sum m_x \Delta \left(y - \frac{\sum y \Delta}{\sum \Delta} \right)}{2 \sum y \Delta \left(y - \frac{\sum y \Delta}{\sum \Delta} \right)},$$

where m_x = the common moment for equal and symmetrically placed loads. Assuming unit loads, the following values of m_x may be written:

Between the load and the left support

$$m_x = R_1 x = x = \frac{\delta x}{2},$$

where δx is the length of the division into which the span is divided, or $l = n \delta x$.

Between the first load and the center of the span

$$m_x = R_1 x - (x - a) = a = k \frac{\delta x}{2}.$$

Then

$$\frac{1}{2} \sum m_x \Delta \left(y - \frac{\sum y \Delta}{\sum \Delta} \right) = \left(\sum_{x=0}^{x-a} z \left(y - \frac{\sum y \Delta}{\sum \Delta} \right) \Delta + k \sum_{x=a}^{x-l} \left(y - \frac{\sum y \Delta}{\sum \Delta} \right) \Delta \right) \frac{\delta x}{2} = D \frac{\delta x}{2},$$

an expression which is very quickly handled numerically.

Although the general data, such as the values of x , y , I , δs , etc., are given in the second example, we will repeat some of it for convenience.

GENERAL DATA.

	x .	y .	l .	ds .	d .	yd .	$y - \frac{\sum yd}{\sum d}$.	$d \left(y - \frac{\sum yd}{\sum d} \right)$
1	1.34	1.10	5.17	3.41	0.66	0.726	-7.0576	-4.658
2	4.02	3.05	2.13	3.21	1.51	4.606	-5.1076	-7.712
3	6.70	4.66	0.90	3.08	3.42	15.937	-3.4976	-11.962
4	9.38	5.95	0.37	2.92	7.89	46.046	-2.2076	-17.418
5	12.06	6.98	0.27	2.81	10.41	72.662	-1.1776	-12.259
6	14.74	7.77	0.23	2.75	11.96	92.929	-0.3876	-4.636
7	17.42	8.30	0.18	2.74	15.22	126.326	+0.1424	+2.167
8	20.10	8.71	0.14	2.70	19.28	167.929	+0.5524	+10.650
9	22.78	8.98	0.11	2.68	24.36	218.753	+0.8224	+20.034
10	25.46	9.12	0.10	2.68	26.80	244.416	+0.9624	+25.792
					121.51	991.23		-58.645
					2	2		+58.643
					243.02	1982.46		.002
					$\sum d$	$\sum yd$		

The values of B in the last column when multiplied by y give the denominator of the expression for H_1 .

COMPUTATIONS FOR H_1 .
(UNIT LOADS.)

Point,	C .	z .	k .	zB .	$\frac{x-a}{x=0}$	$\frac{x-a}{x=a}$	$\frac{x-\frac{l}{2}}{x=a}$	D .	$\frac{H_1 = D \sum C}{\sum C}$
1	-5.1238	1	1	-4.658	-4.658	+4.656	4.656	0	0
2	-23.5256	3	3	-23.136	-27.794	+12.368	37.104	9.310	0.0288
3	-55.7412	5	5	-59.810	-87.604	+24.330	121.650	34.046	0.1055
4	-103.6379	7	7	-121.926	-209.530	+41.748	292.236	82.706	0.2562
5	-85.5667	9	9	-110.331	-319.861	+54.007	486.063	166.202	0.5149
6	-36.0192	11	11	-50.996	-370.857	+58.643	645.073	274.216	0.8495
7	+17.0888	13	13	+28.171	-342.686	+56.476	734.188	391.502	1.2120
8	+92.7639	15	15	+159.750	-182.936	+45.826	687.390	404.454	1.5628
9	+179.9024	17	17	+340.578	+157.642	+25.792	438.464	596.106	1.8468
10	+235.2259	19	19	+490.048	+647.690	0		647.680	2.0066
	-309.6144								
	+525.8810								8.3840
									2
	+216.2666								16.7680
	+432.5332								
	$\sum C$								

The values of H_1 are identical with those obtained in the second example. The number of operations is very much reduced and the multiplications simplified. This method is shorter than any algebraic or graphical method advanced up to this time. (See pages 90 and 91.)

88. The Computation of M_1 and M_2 .—In this case we will employ the formula

$$M_1 = H_1 \frac{\Sigma y \Delta}{\Sigma \Delta} - \left(\frac{\Sigma m_x \Delta}{\Sigma \Delta} + \frac{\Sigma m_x \left(x - \frac{l}{2} \right) \Delta}{\Sigma \Delta \left(\frac{l}{2} - \frac{\Sigma x^2 \Delta}{\Sigma \Delta} \right)} \right),$$

$$\text{————— } H_1 \frac{\Sigma y \Delta}{\Sigma \Delta} \text{. —————}$$

This expression contains only known quantities and requires but one division and ten multiplications.

$$\text{————— } \frac{\Sigma m_x \Delta}{\Sigma \Delta} \text{. —————}$$

As before let $x = \frac{\delta x}{2} z$ and $a = \frac{\delta x}{2} k$.

For all points upon the left of the load

$$m_x = R_1 x, \quad R_1 = \frac{l - a}{l} = \frac{2n - k}{2n}.$$

$$\therefore m_x \Delta = \Delta \frac{2n - k}{2n} \cdot z \frac{\delta x}{2}.$$

Upon the right of the load, between $x' = a$ and $x' = 0$

$$m_x = R_2 x', \quad R_2 = \frac{a}{l} = \frac{k}{2n}.$$

$$\therefore m_x \Delta = \Delta \frac{k}{2n} z \frac{\delta x}{2}.$$

Since Δ has symmetrical values,

$$\sum_0^{x-a} m_x \Delta = \left\{ \sum_{x=0}^{x-a} z \Delta \right\} \frac{\delta x}{2},$$

represents the summation of $m_x \Delta$ from $x = 0$ to $x = a$ and $x = l - a$ to $x = l$.

Upon the right of the load and until $x = l - a$, $m_x = R_2 x'$, and for the two values of m_x corresponding to symmetrical values of A this becomes

$$R_2 x' + R_2 (l - x') = R_2 l = k \frac{\delta x}{2}.$$

$$\therefore \sum_{x=a}^{x=l-a} m_x A = \left\{ k \sum_{x=a}^{x=l/2} A \right\} \frac{\delta x}{2},$$

and therefore

$$\Sigma m_x A = \left\{ \sum_{z=0}^{z=a} z A + k \sum_{z=a}^{z=l/2} A \right\} \frac{\delta x}{2}.$$

ΣA , the denominator of the expression $\frac{\Sigma m_x A}{\Sigma A}$, is already known, hence the value of the expression is quickly determined.

$$\text{---} \Sigma m_x A (x - \frac{1}{2}l), \text{---}$$

$(x - \frac{1}{2}l) = (z - n) \frac{\delta x}{2}$, where the values are evidently symmetrical about the center of the span but *contrary in sign*.

Until $x = a$

$$m_x = \frac{2n - k}{2n} z \frac{\delta x}{2}.$$

Between $x = l - a$ and $x = l$

$$m_x = \frac{k}{2n} z \frac{\delta x}{2}.$$

Then for the symmetrical values of $(z - n)$ which have contrary signs we have for the two values of m_x

$$\left\{ \frac{2n - k}{2n} - \frac{k}{2n} \right\} z \frac{\delta x}{2} = \frac{n - k}{n} z \frac{\delta x}{2}.$$

For $x = a$ to $x = 0$ and $x' = a$ to $x' = 0$

$$\Sigma m_x \Delta (x - \frac{1}{2}l) = \frac{1}{n} \left(\frac{\partial x}{2} \right)^2 (n-k) \Sigma_{z=0}^{x-a} (z-n)z\Delta.$$

From $x=a$ to $x=l-a$ or $x'=a$

$$m_x = R_2 x' \quad \text{and} \quad m_x = R_2 (l - x').$$

For symmetrical points

$$R_2 (l - x') - R_2 x' = 2R_2 (\frac{1}{2}l - x') = \frac{k}{n} (n-z) \frac{\partial x}{2}.$$

Summing the symmetrical values,

$$\Sigma m_x \Delta (x - \frac{1}{2}l) = -\frac{k}{n} \left(\frac{\partial x}{2} \right)^2 \Sigma_{z=a}^{x-l/2} (z-n)^2.$$

∴ For the total summation

$$\Sigma m_x \Delta (x - \frac{1}{2}l) = \left[(n-k) \Sigma_{z=0}^{x-a} (z-n)z\Delta - k \Sigma_{z=a}^{x-l/2} (z-n)^2 \Delta \right] \left(\frac{\partial x}{2} \right)^2 \frac{1}{n}.$$

This expression is somewhat long but very easy to use

$$\text{---} \Sigma \Delta \left(\frac{l}{2} - \frac{\Sigma x^2 \Delta}{\Sigma x \Delta} \right), \text{---}$$

$$\Sigma x^2 \Delta = \left(\frac{\partial x}{2} \right)^2 \Sigma z^2 \Delta,$$

$$\Sigma x \Delta = \frac{\partial x}{2} \Sigma z \Delta = n \frac{\partial x}{2} \Sigma \Delta, \quad \frac{1}{2}l = n \frac{\partial x}{2}.$$

$$\therefore \frac{l}{2} - \frac{\Sigma x^2 \Delta}{\Sigma x \Delta} = \left(n - \frac{\Sigma z^2 \Delta}{n \Sigma \Delta} \right) \frac{\partial x}{2}.$$

and the denominator becomes

$$\left(n - \frac{\sum z^2 \Delta}{n \sum \Delta} \right) \frac{\delta x}{2} \sum \Delta.$$

The expression for M_1 now becomes

$$M_1 \left. \begin{aligned} M_2 \end{aligned} \right\} = H_1 \frac{\sum y \Delta}{\sum \Delta} - \left[\left\{ \begin{array}{l} x=a \\ \sum z \Delta + k \sum \Delta \end{array} \right\} \frac{\delta x}{2 \sum \Delta} \right. \\ \left. \pm \left\{ (n-k) \sum_{x=0}^{x=a} (z-n) z \Delta - k \sum_{x=a}^{x=1/2} (z-n)^2 \Delta \right\} \frac{\delta x}{2n \left(n - \frac{\sum z^2 \Delta}{n \sum \Delta} \right) \sum \Delta} \right]$$

COMPUTATIONS FOR $\frac{\sum m_x \Delta}{\sum \Delta}$.

Point.	1	2	3	4	5	6	7	8
	s.	sd.	$\frac{x-a}{x=0} \sum sd.$	$\frac{x-1/2}{x=a} \sum \Delta.$	k.	$\frac{x-1/2}{k} \sum \Delta.$	$\frac{\sum m_x \Delta}{1.34}$	$\frac{\sum m_x \Delta}{\sum \Delta}$
1	1	0.66	0.66	120.85	1	120.85	121.51	0.662
2	3	4.53	5.19	119.34	3	358.02	363.21	2.003
3	5	17.10	22.29	115.92	5	579.60	601.89	3.318
4	7	55.23	77.52	108.03	7	756.21	833.73	4.597
5	9	93.69	171.21	97.62	9	878.58	1049.79	5.788
6	11	131.56	302.77	85.66	11	942.26	1245.03	6.865
7	13	197.86	500.63	70.44	13	915.72	1416.35	7.810
8	15	289.20	789.83	51.16	15	767.40	1557.23	8.586
9	17	414.12	1203.95	26.80	17	455.60	1659.55	9.150
10	19	509.20	1713.15	0	19	0	1713.15	9.446
							Cols. (3+6)	Col.7 $\left(\frac{\delta x}{2 \sum \Delta} \right)$

$$\frac{\delta x}{2 \sum \Delta} = \frac{2.68}{2(243.02)} = 0.0005514.$$

Col. 8 represents the sum of the moments for each load multiplied by the corresponding value of Δ , divided by $\sum \Delta$. By ordinary methods the determination of $\sum m_x \Delta$ for one load only requires the scaling of 20 ordinates, 10 additions, and 10 multiplications.

COMPUTATION OF $\frac{\sum m_x d(x - \frac{1}{2})}{\sum d \left(\frac{l}{2} - \frac{\sum x^2 d}{\sum x d} \right)}$.

	1	2	3	4	5	6	7	8
	$n-k$	k	$s-n$	s	$(s-n)s$	$s(s-n)d$	$\frac{x-a}{x-o} \sum d(s-n)s$	$(n-k) \sum \frac{x-a}{x-o} d(s-n)s$
1	19	1	-19	1	-19	-12.54	-12.54	-238.26
2	17	3	-17	3	-51	-77.01	-89.55	-1522.35
3	15	5	-15	5	-75	-256.50	-346.05	-5190.75
4	13	7	-13	7	-91	-717.99	-1064.04	-13832.52
5	11	9	-11	9	-99	-1030.59	-2094.63	-23040.93
6	9	11	-9	11	-99	-1184.04	-3278.67	-29508.03
7	7	13	-7	13	-91	-1385.02	-4663.69	-32645.83
8	5	15	-5	15	-75	-1446.00	-6109.69	-30548.45
9	3	17	-3	17	-51	-1242.36	-7352.05	-22056.15
10	1	19	-1	19	-19	-509.20	-7861.25	-7861.25

	9	10	11	12	13	14
	$-(s-n)^2$	$-d(s-n)^2$	$\frac{x-l/2}{x-a} \sum d(s-n)^2$	$\frac{x-l/2}{x-a} \sum d(s-n)^2$	Cols. (8+12)	Col. 13 Multiplied by -0.0001034
1	-361	-238.26	-6241.49	-6241.49	-6479.75	+0.670
2	-289	-436.39	-5805.10	-5805.10	-18937.65	+1.958
3	-225	-769.50	-5035.60	-5035.60	-30368.75	+3.140
4	-169	-1333.41	-3702.19	-3702.19	-39747.85	+4.110
5	-121	-1259.61	-2442.58	-2442.58	-45024.15	+4.656
6	-81	-968.76	-1473.82	-1473.82	-45720.25	+4.728
7	-49	-745.78	-728.04	-728.04	-42110.35	+4.354
8	-25	-482.00	-246.04	-246.04	-34238.05	+3.540
9	-9	-219.24	-26.80	-26.80	-22511.75	+2.328
10	-1	-26.80	0	0	-7861.25	+0.813

$\frac{\partial x}{2n \left(n - \frac{\sum x^2 d}{n \sum d} \right) \sum d} = -0.0001034$. See Table III, page 93, of the second example.

Col. 14 is the complete value of $\frac{\sum m_x d(x - \frac{1}{2})}{\sum d \left(\frac{l}{2} - \frac{\sum x^2 d}{\sum x d} \right)}$ for each load, 1 to 10

respectively.

Note that cols. 1, 2, 3, 4, 5, and 9 will remain the same as long as $n=20$ regardless of the span. The formation of the remaining columns requires but 50 multiplications and 30 additions.

FINAL VALUES OF M_1 AND M_2 .

	1	2	3	4	5	6	7
	$H_1 \frac{\Sigma yd}{\Sigma d}$	$\frac{m_1}{\Sigma d \pm \frac{\Sigma m_2 d(x-\frac{1}{2}l)}{\Sigma d(\frac{1}{2}l - \frac{\Sigma x^2 d}{\Sigma d})}}$		m_1		M_1	M_2
1	+ 0	+0.662	±0.670	1.332	0	-1.332	0
2	+ 0.235	+2.003	1.958	3.961	0.045	-3.726	+0.190
3	+ 0.860	+3.318	3.140	6.458	0.178	-5.598	+0.682
4	+ 2.089	+4.597	4.110	8.707	0.487	-6.619	+1.602
5	+ 4.200	+5.788	4.656	10.444	1.132	-6.244	+3.068
6	+ 6.930	+6.865	4.728	11.593	2.137	-4.663	+4.793
7	+ 9.894	+7.810	4.354	12.164	3.456	-2.270	+6.438
8	+12.749	+8.586	3.540	12.126	5.046	+0.623	+7.703
9	+15.065	+9.150	2.328	11.478	6.822	+3.587	+8.243
10	+16.368	+9.446	±0.813	10.259	8.633	+6.109	+7.735

Combining the values found we obtain the values of M_1 and M_2 for each load 1 to 10 respectively; for loads 1' to 10' M_1 and M_2 simply change places. Compare cols. 6 and 7 with col. 26, page 95.

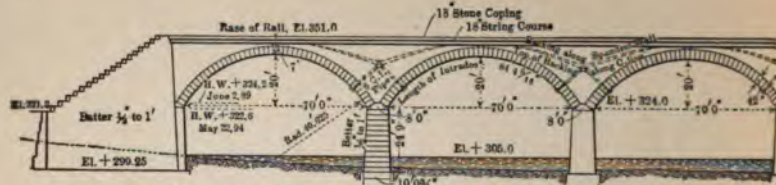
The values of V_1 , γ_1 , γ_2 , etc., can now be found as in the second example.

The above calculations require but little more time than some of the graphical constructions in common use which only give the equilibrium polygon for one set of loads. Here we can quickly determine the effect of each load and then use those producing maximum results

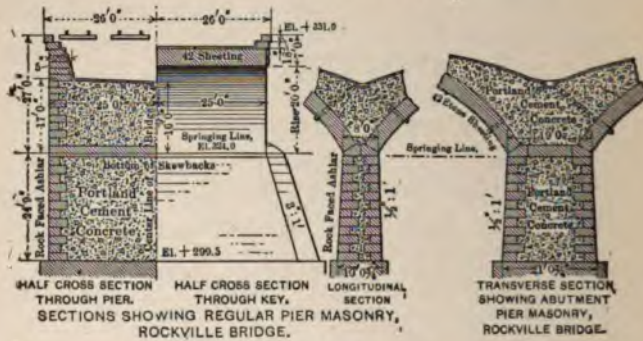
CHAPTER IV.

TYPICAL ARCHES.

A FEW typical bridges will be illustrated in this chapter which will clearly show that, as ordinarily constructed, the arch ring proper is heavily reinforced either by masonry or concrete backing or masonry side walls. Since this masonry does not readily follow the arch ring if it sinks, the actual dead load is never more than the dead weight of the material above the ring; and since the passive resistance of this masonry against moving upward is large in case the arch ring has such a tendency, it is evident that any ring which is stable under the elastic theory must be stable in the structures as built. Furthermore, experience teaches that temperature stresses may be ignored in stone arches well backed, as is customary. A recording thermometer placed in the ring of a reinforced-concrete bridge having earth filling indicated that the total range of temperature change did not exceed about 20° F. in some ten or twelve months. All rings without backing should be designed to resist a change of temperature of about $\pm 35^{\circ}$ F. In rings like that of the Luxemburg bridge full account of temperature must be considered, the range approaching that for steel.



PART SIDE ELEVATION OF 3,820 FT. STONE ARCH BRIDGE FOR THE PENNSYLVANIA R.R. AT ROCKVILLE, PA.



SECTIONS SHOWING REGULAR PIER MASONRY, ROCKVILLE BRIDGE.

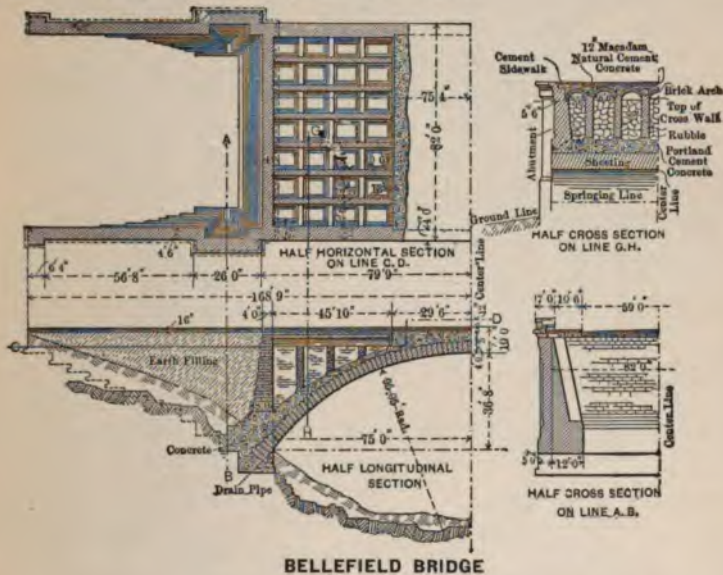


TRANSVERSE SECTION SHOWING ABUTMENT MASONRY, ROCKVILLE BRIDGE.

89. The Rockville Stone Arch Bridge.—This is typical of a large number of arches recently constructed by the Pennsylvania R.R. The arch ring is backed with Portland-cement concrete to such an extent that it is increased in thickness nearly three times near the springing line. (Eng. News, May 10, 1900.)

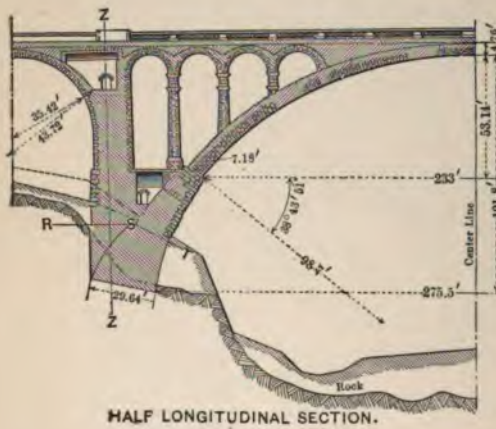
90. The Bellefield Stone Arch Bridge, Pittsburg, Pa.—In this bridge the outside spandrels are of solid masonry. Inside there are six longitudinal walls reinforced with three lateral walls. The lateral walls do not support any vertical load, as they stop at the springing of the

arches between the longitudinal walls. The arch ring is securely held by a backing of concrete and the spandrel walls. (Eng. Record, June 9, 1900.)

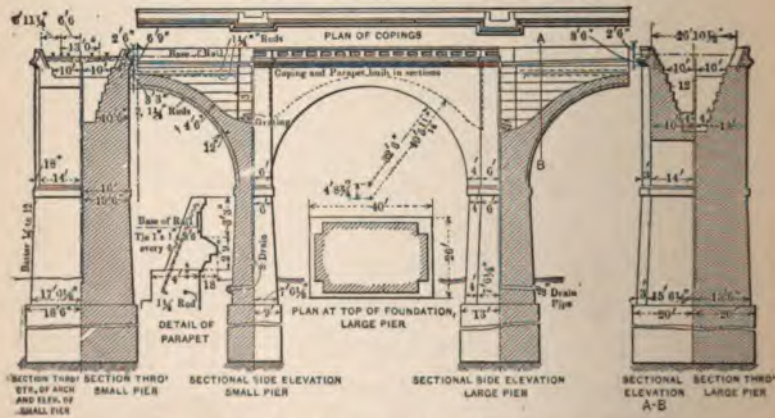


91. The **Luxemburg Stone Arch Viaduct.**—This bridge is an excellent illustration of spandrels pierced with lateral arched openings. The elastic theory can be applied with confidence in bridges of this type. (Eng. Record, Oct. 12, 1901.)

92. **Approaches to the Thebes Bridge.**—The approaches are composed of eleven *plain-concrete* arches having a span of 65 feet, and one with a span of 100 feet. The proportions of the 65-foot arches are clearly shown above. Note that the spandrel side walls cover nearly all of the arch ring at the supports, and at the crown two fifths of the ring, practically preventing distortion under moving loads. (R. R. Gazette, Jan. 9, 1903.)

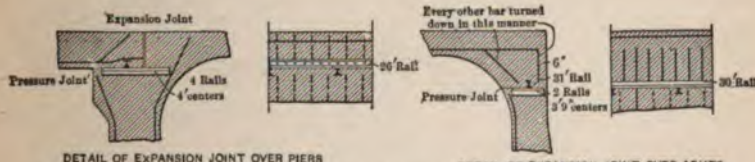
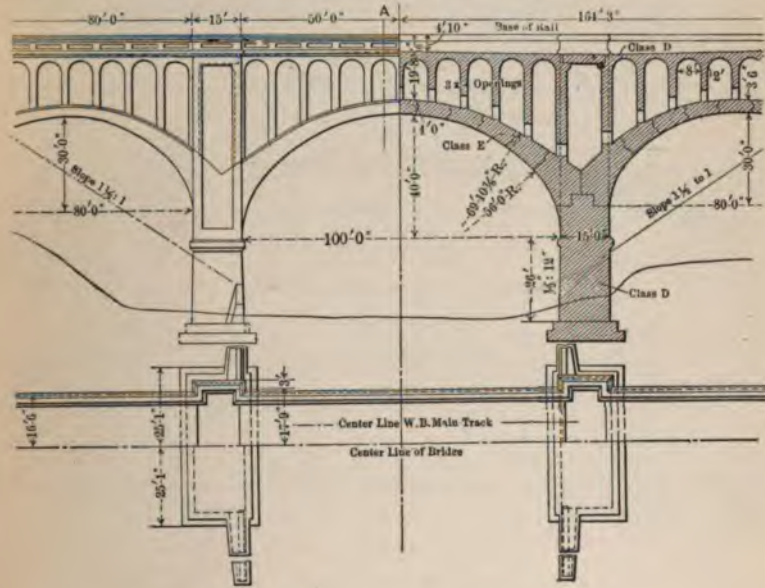


LUXEBURG BRIDGE



DETAILS OF ARCHES IN APPROACHES: THEBES BRIDGE

93. Vermillion River Plain-concrete Arch Bridge. — This bridge is composed of three spans. The entire loading above the ring is supported by lateral walls which makes the application of the elastic theory quite rational.

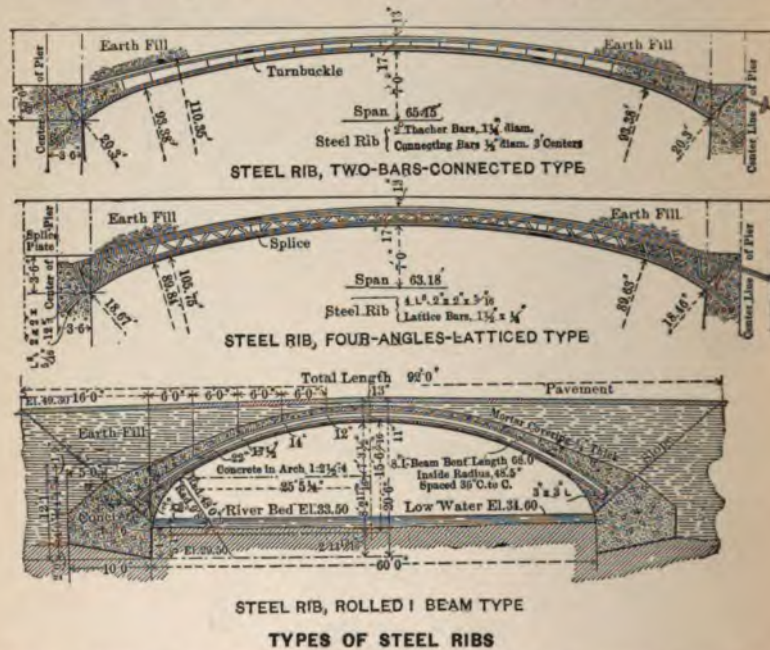


CONCRETE ARCH BRIDGE OVER SALT FORK OF THE VERMILLION RIVER

The ring was designed without reinforcement, but when built the entire concrete work was reinforced with steel bars. This reinforcement is shown in the Railroad Gazette, Oct. 27, 1905.

94. Steel Reinforcement in the Form of Ribs.— Where the steel reinforcement has been concentrated in concrete

rings the three types shown below have been successfully used. The steel is usually assumed to take the entire bending moment. The two upper types were used



in a viaduct at Jacksonville, Fla., and the third type in St. Louis, Mo.

95. **Steel Reinforcement other than in the Form of Ribs.**—The present method of reinforcement appears to follow the idea of thoroughly distributing the steel in layers a few inches from the upper and lower surfaces of the arch ring. This is accomplished by the use of small rods, wire netting, expanded metal, etc. The majority of reinforced concrete bridges in the United States are reinforced with rolled rods, some plain and some “deformed.”

96. **Area of Steel Reinforcement.**—The amount of steel is seldom less than 0.6% or greater than 1% of the

area of the ring at the crown, regardless of the type of reinforcement employed.

97. Abstracts from Specifications.—The following abstracts from specifications will indicate some of the methods employed and assumptions made in the construction of reinforced-concrete bridges.

Conditions of Calculation.—Modulus of elasticity of concrete, 1,400,000 lbs.; modulus of elasticity of steel, 28,000,000 lbs.; maximum stress per square inch on steel, 10,000 lbs.; maximum compression per square inch on concrete, 500 lbs.; maximum shear per square inch on concrete, 100 lbs.; maximum tension per square inch on concrete, 50 lbs. The above to be exclusive of temperature stresses. The steel ribs, under a stress not exceeding their elastic limit, must be capable of taking the entire bending moment of the arch without aid from the concrete, and have a flange area of not less than one one-hundred-and-fiftieth part of the total area of the arch at crown.

Portland-cement Concrete.—The concrete shall be composed of clean hard broken stone, or gravel with irregular surface, clean sharp sand, and cement, mixed in the proportions hereafter specified. Whenever the amount of work to be done is sufficient to justify it, approved mixing-machines shall be used. The ingredients shall be placed in the machine in a dry state, and in the volumes specified, and be thoroughly mixed, after which clean water shall be added and the mixing continued until the wet mixture is thorough and the mass uniform. No more water shall be used than the concrete will bear without quaking in ramming. The mixing must be made as

rapidly as possible, and the batch deposited in the work without delay. If the mixing is done by hand, the cement and sand shall first be thoroughly mixed dry in the proportions specified. The stone, previously drenched with water, shall then be deposited on this mixture. Clean water shall be added and the mass be thoroughly mixed and turned over until each stone is covered with mortar, and the batch shall be deposited without delay, and be thoroughly rammed until all voids are filled. The grades of concrete to be used are as follows: For the arches between skewbacks, one part Portland cement, two parts sand, and four parts broken stone or gravel that will pass through a one-and-one-quarter-inch ring. For the piers, one part Portland cement, three parts sand, and six parts broken stone that will pass through a two-inch ring. For the foundations, abutments, and spandrels, one part Portland cement, four parts sand, and eight parts broken stone or gravel that will pass through a two-inch ring.

Concrete Facing.—Concrete facing will be used and shall be composed of one part Portland cement and two and one-half parts sand, and shall have a thickness of at least one inch on all arch soffits, arch faces, abutments, piers, spandrels, or other exposed surfaces. There must be no definite plane or surface of demarkation between the facing and the concrete backing. The facing and backing must be deposited in the same layer, and be well rammed in place at the same time. If the arch faces, quoins, or other exposed surfaces are marked to represent masonry, such division-marks shall be made by triangular strips two inches wide and one inch deep fastened to the

casing in perfectly straight and parallel lines, and all projecting corners will be beveled to correspond.

Connections.—In connecting concrete already set with new concrete the surface shall be cleaned and roughened, and mopped with a mortar composed of one part Portland cement and one part sand, to cement the parts together.

*Arches.**—The concrete for the arches shall be started simultaneously from both ends of the arch, and be built in longitudinal sections wide enough to inclose at least two steel ribs, and of sufficient width to constitute a day's work. The concrete shall be deposited in layers, each layer being well rammed in place before the previously deposited layer has had time to partially set. The work shall proceed continuously day and night if necessary to complete each longitudinal section. These sections while being built shall be held in place by substantial timber forms, normal to the centering and parallel to each other, and these forms shall be removed when the section has set sufficiently to admit of it. The sections shall be connected as specified above, and also by steel clamps or rib connections built into the concrete.

Steel Ribs.—Steel ribs shall be imbedded in the concrete of the arch. They shall be spaced at equal distances apart, and be of the number shown on plans. Each rib shall consist of two flat bars of the sizes marked on plans. The bars shall be in lengths of about 30 ft., thoroughly spliced together, and extending into the abutments

* The arch rings are also made in the form of voussoirs so as to symmetrically and uniformly load the falsework to prevent its unsymmetrical or excessive distortion.

as shown. Through the center of each bar shall be driven a line of rivets spaced 8 inches c. to c. with heads projecting about $\frac{7}{8}$ inch from each face of bar, except through splice-plates, where ordinary heads will be used. The bars shall be in pairs with their centers placed two inches within the inner and outer lines of the arch respectively as shown. All steel must be free from paint and oil, and all scale and rust must be removed before imbedding in the concrete. The tensile strength, limit of elasticity, and ductility shall be determined from a standard test-piece cut from the finished material and turned or planed parallel. The area of cross-section shall not be less than $\frac{1}{2}$ square inch. The elongation shall be measured after breaking on an original length of 8 inches. Each melt shall be tested for tension and bending. Test-pieces from finished material prepared as above described shall have an ultimate strength of from 60,000 to 68,000 lbs. per square inch, an elastic limit of not less than one-half of the ultimate, shall elongate not less than 20% in 8 inches, and show a reduction of area at point of fracture of not less than 40%. It must bend cold 180 degrees around a curve whose diameter is equal to the thickness of piece tested without crack or flaw on convex side of bend. In tension tests the fracture must be entirely silky. (Engineering Record, Aug. 3, 1901.)

TABLE I.—PHYSICAL PROPERTIES OF STONE AND CONCRETE—(Continued).

SANDSTONE.

Color, Name, Source, etc.		C	R	S	e	E	r	W
		10 ² .	10 ² .	10 ² .	10 ⁻⁸ .	10 ⁶ .	10 ² .	
Blue.	Near Ft. Smith, Sebastian Co., Ark.	128	15	18	620	35	1-40	
	Cabin Creek, Johnson Co., Ark.	185	17	25	613	39	1-50	
	Jasper, Ala.	159	19	22				
	Piedmont Quarry, near Oakland, Cal.	110	11	16	436			
Light Red.	St. Vrain Cañon, Col., laminated.	115						150
Red.	Manitou, Col.	110						140
Gray.	Ft. Collins, Col., laminated.	117						140
	Trinidad, Col.	100						145
Brown.	Portland (Middlesex Quarry), Conn.	109						
	" " " " " "	103						
	" " " " " "	83						
	" " " " " "	43						
Brown.	Portland, Conn., 1st quality.	136						
	" " " " 2d	139						
	" " " " 3d	150						
	Bridge stone.	96						
	Cromwell, Conn.	169	19	15	549	77	1-50	
Red.	Brainard Quarry Co., Conn.	62			526			
	" " " " " "	107		14				
	Near Redfield, Bourbon Co., Kan.	80	21	19	516			
	Carreyville, Ky.	106						
Red.	Potomac Red Sandstone Co., Maryland.	130	23	23	501	30	10-20	
	" " " " " "	190						
	Kibbe, East Longmeadow, Mass.		10		577	11	1-20	134
	" " " " " "					22	1-25	
	" " " " " "	127						
	" " " " " "	104		12	577	18	10-20	133
Soft	Saulsbury " " " "	85						
Hard	" " " " " "	140						
Red Brown.	" " " " " "	114						
	Maynard, East Longmeadow, Mass.	94		12	567	19	10-20	134
	" " " " " "		8		561	13	1-20	133
	Worcester " " " "		11		517	19	1-20	135
	" " " " " "	98		12	517	24	10-20	137
Brown.	Frontinac, Minn.	101						
Light Drab.	Mantorville, Minn.	88						
" Yellow	Mankato, Minn.	96						
Salmon.	Kettle River, Pine Co., Minn.	125	9	16	686			
	Ohio.	58			622			
	" " " " " "	87		9				
	Chitwood, Oregon.	63						
Blue.	Cooper Quarry, Douglas Co., Oregon.		7		177	22	1-30	
	Coquille River, Coos Co., Oregon.	75		13				
	Cooper Quarry, Douglas Co., Oregon.	152		18	177	28	10-20	160

LIMESTONE.

	Beaver, Carrol Co., Ark.	206	27	20	471	67	1-50	
	Batesville, Ark.	95						
	Rockwood, Ala.	60	7	10	58			
Blue.	Bedford, Ind.	108	14	10	389	73	1-30	
	" " " " " "	90	21	12		72	1-30	
Buff.	Indiana.	60		11	407	52	2-30	
	Oolitic, Bedford, Ind.	41			375	36	2-10	
	" " " " " "	71		11				
Drab.	Johnson, Co. Iowa.	47						
	Iowa State Quarry.	72						
	" " " " (1843).	36						
Blue.	Hutchinson, Iowa.	241						
Mottled.	Crowley's, Iowa.	78						
Cream.	Cedar Valley, Iowa.	50						

showing the effect of age and composition upon the ultimate strength. Values according to these formulas are given below. For tests of concrete of all kinds reference is made to *Tests of Metals and other Materials, etc., made at the Watertown Arsenal, Mass.*

ULTIMATE STRENGTH IN POUNDS PER SQUARE INCH.

Mixture.	Age.				Remarks.
	7 Days.	1 Month.	3 Months.	6 Months.	
1-1-3	1600	2750	3360	4300	$S = 1800 - 200x$; 7 days $S = 3100 - 350x$; 1 month $S = 3820 - 460x$; 3 months $S = 4900 - 600x$; 6 months x = parts of sand to one part cement. S = ultimate strength for 12-inch cubes.
1-2-4	1400	2400	2900	3700	
1-2½-5	1300	2225	2670	3400	
1-3-6	1200	2050	2440	3100	
1-3½-7	1100	1875	2210	2800	
1-4-8	1000	1700	1980	2500	
1-5-10	800	1350	1520	1900	
1-6-12	600	1000	1060	1300	

E = MODULUS OF ELASTICITY IN THOUSANDS OF POUNDS PER SQUARE INCH.

(Compiled by E. Thacher.)

Mixture.	Age 7 Days.			Age 1 Month.			Age 3 Months.			Age 6 Months.		
	100 to 600.	100 to 1000.	1000 to 2000.	100 to 600.	100 to 1000.	1000 to 2000.	100 to 600.	100 to 1000.	1000 to 2000.	100 to 600.	100 to 1000.	1000 to 2000.
1-1-3	2450	2050	1380	2830	2580	1910	3500	3140	2120	3850	3580	2700
1-2-4	2580	2050	1350	2660	2450	1460	3670	3160	2160	3670	3570	2580
1-2½-5	2220	1800	2550	2300	1350	3320	2900	1980	3630	3540	2220
1-3-6	1860	1540	2440	2130	1220	2970	2650	1800	3600	3500	1860
1-4-8	2100	1800	2530	2220	3020	2840
1-5-10	1740	1460	2100	1780	2420	2200
1-6-12	1380	1140	1640	1360	1820	1520

These values are means of tests made upon 12-inch cubes made with four brands of cement respectively. A statement of the data upon which the above tables are based is given in an article by Mr. E. Thacher, entitled Effect of Age and Composition on the Strength and Modulus of Elasticity of Concrete, *Cement*, May 1902.

EXPANSION OF CONCRETE.

Prof. Pence gives 0.0000055 as the coefficient of expansion for one degree F. for 1-2-4 concrete composed of Lehigh Portland cement and limestone. With the limestone replaced with gravel the coefficient becomes 0.0000054. This makes the coefficient of expansion of concrete and steel essentially the same.

WEIGHT OF CONCRETE.

The weight of concrete will vary somewhat according to the materials used and the methods of mixing. In "Tests of Metals, etc.," for 1898, the weights of a large number of 12-inch cubes are given, the proportions varying from 1-1 to 1-4, with 33 and 40 per cent of the stone used as mortar. The mortar was made "dry," "plastic," and "wet." The weights per cubic foot ranged from 138.9 to 143.7 pounds. For all ordinary purposes 140 pounds per cubic foot may be used. Some specifications state that concrete shall be taken at 150 pounds per cubic foot.

WEIGHT OF FILLING MATERIAL.

This will vary according to the kind of material and the method of depositing it. For average conditions, when the spandrels are filled with sand or gravel, 100 pounds per cubic foot may be assumed. For gravel deposited in thin layers and rolled, some specifications state that the fill shall be taken as weighing 120 pounds per cubic foot.

TABLE

DATA FOR ABOUT 500 ARCH BRIDGES

MASONRY

Number.	Name.	Place.	Over.	Date.	Engineer.	No. of Spans.
1	Taff Vale Viad.	Near Quaker's Yard, S. Wales	Taff R.		Brunel	6
2	Queretaro	Near Queretaro, Mexico	Valley	1726-35	Antonio Avana	74
3	Malaunay	Near Rouen, France	Malaunay Val.	1840-44	Locke	6
4	Magnolia St.	Elizabeth, N. J., U. S. A.	Magnolia St.	1894	Brown	1
5	L. Juniata No. 8	Penn., U. S. A.	L. Juniata R.		Brown	3
6		Morpeth, England	Wansbeck R.	1831	Telford	3
7	Mass. Ave.	Washington, D. C., U. S. A.	Rock Crk.	1900-1	Douglas	1
8			Cree R.		Rennie	1
9	Chateau Thierry	France	Marne.	1786	Perronet	1
10	Charles	Nuremburg, Bavaria		1728		1
11	Starrucca Viad	Nr. Lanesboro', Pa., U.S.A.	Starrucca Crk.	1847	Adams	17
12	Pont Neuf	Paris, France	Seine R.	1578-1604	Cerceau and Marchand	12
13	Enz	Wildbad, Germany	Enz R.	1886	Leibbrand	1
14	Pont au Change	Paris, France	Seine R.	1639-47		7
15						
16	Court St.	Rochester, N. Y., U.S.A.	Genesee R.	1893	McClintock	6
17		Rochester, N. Y., U. S. A.				7
18		Bet. Norwood-Bromley, England	Lon. Croydon Ry.		Gibbs	1
19		Dôle, France	Doubs R.	1760-64?	Gueret	7?
20		England	Mouse R.	1822	Telford	1
21		Gien, France	Loire, R. Val.	1888-9	Lethier	15
						70
22	Dinan Viad.	Dinan, France	Rance R.	1845-50	Fessard	10
23	Guétin	Bet. Digoin and Mainsbray, France	Valley	1890-98		18
24	Stura	N. of Turin, Italy	Stura R.		Bella	5
25		Montalierie, Italy	Po R.	1849	Barbavara	7
26	Digoin	Digoin, France	Valley	Changed 1890-98		11
27	Roquefavour	Vic. of Marseilles, France	Arc R. and Val.	1841-47	de Montrichet	15
						13
28	Strasbourg Sta.	Paris, France	Station Platform			3
29	Croydon	Near Croydon, England	Lon. & C. Ry.		Gibbs	1
30	Abattoir St.	Paris, France				
31		Nemours, France	Loing R.	1805	Perronet	3
32		Stirling, Scotland	Forth R.	1400†		
33		Moret, France	Loing R.	1771	Perronet	3
34		Moulins, France	Allier R.	1758-60	Regemortes	13
35	Park St.	Hartford, Conn., U.S.A.		1898	Graves	1
36	Pathhead	Pathhead, Scotland, U.S.A.	Tyne R.	1830	Telford	3
37	Mill Creek	W. of Bird-in-Hand, Pa.,	Mill Creek	1889-90	Brown	4
38	L. Juniata No. 13	1 mi. W. of Tyrone, Pa., U.S.A.	L. Juniata R.	1892-93	Brown	3

* Maximum.

REMARKS.—1. Piers 14' octagon. On curve. Skew 40°. 1320' Radius. 2. Max. H. = 95' Av. = 75'-80'. 3. Found upon piles. 4. 4 tracks. Intrados to base of rail, 5'6". 5. Middle Div. Penn. Ry. 7. Skew 17°. Cost \$132,000. 11. 2 tracks. Max. H. = 110'. N. Y., L. E. & W. 12. Repaired 1886. 13. Middle 3d joints at crown and springing filled with lead. 18. Ribbed skew. 20. H. = 134.5'. Piers hollow. 21. Approaches to metal spans. 22. Max.

II.

ARRANGED ACCORDING TO SPAN.

ARCHES.

Span.	Rise.	Thickness of Arch Ring at Crown ft.	At Springing, ft.	Curve.	Radius at Crown.	R/r	Width, Face to Face at Crown.	Thickness of Piers at Springing.	Material.	Class of Bridge.	Reference.	Number.
50.0	25.0			C	25.0		14.0		Blue Grit	Ry.	A. March, 1850	1
50.0	25.0	3.1	3.1	C	25.0	.124	27.7	8.8		Aqued't Ry.	B. June 2, 1888	2
50.0	25.0	2.8	2.8	C	38.5	.073	50.0			Ry.	C. 1851-2	3
50.0	12.5									Ry.	D. E.	4
*50.0	15.0			E	48.0		31.5	8.0		Ry.	F. 1852, p. 290	5
50.0	25.0	3.0	7.0	C ₂	25.0	.150	200.		Brick	H.W.	B. Dec. 25, 1902	6
50.0	6.6	1.3		C							S.	7
46.0	5.9	1.0					8.0 & 7.6					8
39.0	4.9	1.0										9
51.0	17.0	4.0		E						Woodbury, 1858		9
51.1	16.0	4.1		E	37.2	.115	19.2	13.8		H.W.	F. 1852, p. 278	10
51.0	†20.0	2.5	2.5	C	26.3	.095	24.8	7.0	Sandstone	Ry.	B. Sept. 1, 1888	11
*51.1	21.9	2.3	3.0	C	25.8	.089	72.5			H.W.	G. 1891, p. 887	12
51.2	10.7	1.6	3.0	C?	35.0	.045				H.W.	G. 1891, p. 918	13
51.2 to 35.2	25.6	5.3		C	25.6	.207		16.0		H.W.	F. 1852, p. 276	14
35.2	17.6											15
*52.0	20.5			C	26.7		764.0	6.0		H.W.	H. Feb. 2, 1893	16
*52.0	10.0	2.5		C	38.8	.064			Limestone	Aqued't	H.	17
52.0	†12.0	2.3	2.3	C	34.2	.067	†30.0		Brick	H.W.	C. 1855-6	18
52.0	17.5	3.8		E				8.5			I. F. 1852, p. 197	19
52.0	26.0			C ₂	26.2	.114	17.7	3.3		H.W.	G. VI, 1893	20
52.5	26.2	3.0	3.3	C ₂	26.2	.114	17.7	3.3		Ry.		21
52.5 to 42.6	17.5											22
*52.5	14.2			C ₂	26.2		22.1	†13.1		H.W.	G. 1888, p. 363	22
*52.5	26.2			3C	30.7	.117	31.9	10.0		Canal	G. 1899	23
52.5	23.0	3.6	3.6									24
52.5	5.7	3.0		E	102.7	.042	35.1	9.8	Brick(?)	H.W.	F. 1852, p. 296	24
52.5	13.6	3.0		C	32.1	.093	29.5	7.5	Brick	Ry.	F. 1852, p. 296	25
52.5	23.0	3.0	3.0	3C	30.7	.127	31.8	9.8		Canal	F. 1852, p. 286	26
52.5	26.3			C ₂	26.3					Canal	A. 1855, p. 65	27
49.2	24.6	3.3			24.6	.134						28
16.4	8.2	3.4			8.2							29
*52.7	5.0	3.0		E	71.6	.041	42.6	8.2	Mill'e Grit	H.W.	F. 1852, p. 296	28
53.0	12.0	3.0	3.0	E			20.0		Brick	H.W.	C. 1855-6	29
53.0	5.1	3.0		C	71.3	.042				Ry.	I. F. 1852, p. 286	30
53.0	3.2	3.2		C	99.1	.032		6.4	Freestone	H.W.?		31
53.0	10.3	2.8		C	39.2	.071						32
53.3	6.1	4.3		C	61.2	.072			Freestone	H.W.?	J. F. 1852, p. 276	33
53.9	21.3	3.2		E			34.0	12.8		H.W.	F. 1852, p. 276	34
54.0	7.3	3.3	4.3				70.0		Brick	H.W.	B. Jan. 12, 1899	35
54.0 & 50.0	8.0						24.0	8.0 & 4.0		H.W.	F. 1852, p. 195	36
54.0	13.5	2.7	2.7	C	33.7	.081	32.0			Ry.	E.	37
54.0	†13.5	3.2	3.2	C	33.7	.095	49.4			Ry.	E.	38

† About.

H. = 130'.5. Nat. Route No. 176. 23. Max. H. = 30'.4. 24. Route Turin-Milan. 25. Turin-Genoa. 27. 3 tiers of arches. Max. H. = 271'.0. 20. Ribbed skew. 35. Stone facing. 36. Max. H. = 75'.0. The 54'.0 spans are under roadway. 37. Three tracks—1° curve—38. 4 tracks. Mid. Div. Penn. Ry. ribbed skew.

TABLE II.—DATA FOR ABOUT 500 ARCH BRIDGES
MASONRY

Number.	Name.	Place.	Over.	Date.	Engineer.	No. of Spans.
39	Kennet	Near Caversham, England	Kennet R.			3
40	Monocacy Viad.	Monocacy, Penn., U.S.A.			Fisk	
41	Nashawtuc	Concord, Mass., U.S.A.	Sudbury R.	1883	Wheeler	1
42	Oucoine		Rieneros R.	1770-90	Garipuy	1
43	Big Conestoga	E. of Lancaster, Pa., U.S.A.			Brown	5
44	Peas	Bet. Berwick and Edinburgh, Scotland	Deep Dingle		Henderson	4
45	Oder	Kunnersdorf, Saxony	Oder R.			7
46	Bachthal	Dermitz, Saxony	Bach R.	1844-5		11
47	Dauphin		Romanche R.	1842-4	Potie	1
48	Carmes	France	Beauvoir Ravine	1843-47	Cunit	3
49		Löbau, Saxony	Spree R.?	1845-46		7
50		Königstein, Saxony				2
51	Spreethal	Saxony	Spree R.	1845-46		32
52		Neuneck, Germany	Glatt R.	1886	Leibbrand	15
53	No. 28	26.5 m. Pittsburg, Pa., U.S.A.	Raccoon Crk.	1887-88		1
54	Washington	New York, N. Y., U.S.A.	Harlem R.	1886-89	Hutton	1
55	Nôtre Dame	Paris, France	Seine R.	1507	Jaconde	6
56		Chateau Thierry, France	Marne R.	1765	Péronnet	1
57		Pontlieu, France	Huisine R.?	1773	Voglie	3
58	Gravant	France	Yonne R.	1760	Adwine	3
59	Zempoala Aq.	7 m. south of Huauchinango, Mexico	Valley	1553-70	Tembleque	68
60	Monford	England	Severn R.	1790-92	Telford	1
61	Johnstown	Johnstown, Penn., U.S.A.	Conemaugh R.	1888	Brown	2
62		Llanrwst, Wales	Conway R.	1634-36	Inigo Jones	1
63	Carrolton Viad.	Nr. Baltimore, Md., U.S.A.	Patapsco R.	1833-35	Latrobe	3
64	Jamaica St.	Glasgow, Scotland	Clyde R.	1833-36	Telford	8
						1
						2
						2
						2
65	Brives	France	Loire R.	1772	Grangent	5
66	Tournelle	Paris, France	Seine R.	1630-56	Marie	6
67	Marie	Paris, France	Seine R.	1635-58	Marie	5
68	Aelius	Rome, Italy	Tiber R.	136	Hadrian	3
69	Sèvres	Near Paris, France	Seine R.	1820	Beaupre	9
						2
70	Rahway Ave.	Elizabeth, N. J., U.S.A.	Rahway Ave.		Brown	1
71	Washington	New York, N. Y., U.S.A.	Harlem R.	1886-89	Hutton	6
72	Ingersheim	France	Tech R.	1773	Clinchamp	7
73	Trenton	Near Trenton, N. J., U.S.A.	Delaware R.	1902	Brown	18
74	L. S. & M. S. Ry.	Elyria, Ohio, U.S.A.	W. Br. Black R.			3

* Maximum.

REMARKS.—39. Skew. S. E. Ry. Co. 40. Chesapeake & Ohio Canal. 41. Granite from Fitchburg, Mass. 43. Penn. Ry. 44. Max. H. = 124'.o. 45. Löbau-Zittlau, H. = 62.3. 46. Pile found. H. = 59, L. = 725. 49. Saxony-Silesia, H. = 95'.o. 50. Prague-Dresden, H. = 31.6. 51. Saxony-Silesia, H. = 66.9. 52. Sheet-lead "Hinges," 3. 53. 2 tracks. Rail 27'.5 above key. 54. Approach to metal spans. 56. See No. 9. 59. Waterway 84" x 12". H. = 124'.o. On two tents. Max. span is highest. 61. Skew = 55°. Ribbed. Stood through Johnstown Flood.

ARRANGED ACCORDING TO SPAN—(Continued).
ARCHES.

Span.	Rise.	Thickness of Arch Ring at Crown <i>h</i> .	At Springing <i>h</i> .	Curve.	Radius at Crown.	<i>h</i> R.	Width Face to Face at Crown.	Thickness of Piers at Springing.	Material.	Class of Bridge.	Reference.	Number.	
*54.0	11.0	2.6					724.0		Brick	Ry.	K. Dec. 20, 1895	39	
54.0	9.0	2.5		E	50.0	.050			Granite	Canal	L.	40	
54.0	6.0	1.2	1.2	E	63.75	.019	25.0			H.W.	Wm. Wheeler	41	
*54.5	17.1	2.1		E				12.8		Ry.	F. 1852, p. 280	42	
*54.5	27.3			C ₂	27.3					H.W.	E. L.	43	
*55.0												44	
*55.8				E				7.4		Ry.	F. 1852, p. 220	45	
55.8	27.9			C ₂	27.88			9.2		Ry.	F. 1852, p. 226	46	
55.8	27.9	3.0		C ₂	27.88	.108	19.7				F. 1852, p. 202	47	
55.8	27.9	3.1		C ₂	27.9	.111	19.7	4.9		Ry.	F. 1852, p. 202	48	
55.8	27.9			E	27.9			9.5		Ry.	F. 1852, p. 222	49	
37.9	18.9								Brick	Ry.	F. 1852, p. 225	50	
*55.8	27.9			C ₂	27.9			15.8		Stone	Ry.	F. 1852, p. 228	51
*55.8	27.9									H.W.	G. 1891-1, p. 920	52	
56.0	28.0	3.0	2.0	C ₂	28.0	.108	107.6			Ry.	D.	53	
56.0	14.0	2.0	2.0	E	55.8	.036	80.8	13.2		H.W.	Washington Bridge by Hutton	54	
56.7	28.4	5.3		C ₂	28.4	.187	77.4	12.8		H.W.	F. 1852, p. 274	55	
to 31.2	15.6												
57.5	19.2	4.0		E	41.5	.096	35.2	14.4		H.W.	F. 1852, p. 280	56	
51.1	17.1	3.7		E									
57.5	21.3	3.8		E	42.6	.089		12.8			F. 1852, p. 282	57	
57.5 to				E	45.8	.093		12.8			F. 1852, p. 280	58	
53.9	21.3	4.3											
*58.0	29.0			C ₂	29.0		4.7			Aqued't	B. July 7, 1888, p. 2	59	
58.0	22.5	3.0		E			24.0	11.0			F. 1852, p. 284	60	
50.0	20.0												
58.0	14.5	2.7	2.7	C	36.2	.075	48.0	6.0	Sandstone	Ry.	B. July 20, 1889	61	
40.0	14.5	2.7	2.7	C	21.0	.135	48.0						
*58.0	17.0	1.5		P				10.0					
58.3	29.2	2.5	2.5	C ₂	29.2	.085		10.0	Granite	H.W.	L.	62	
58.3	10.8	2.5		C	43.7	.057	40.0			Ry.	I. F. 1852, p. 237	63	
58.3	10.8	2.5		C						H.W.	F. 1852, p. 290	64	
57.8	10.5												
55.5	9.7												
52.0	8.3												
*58.6	26.6	3.2		E	45.8	.060	29.1	11.7			F. 1852, p. 280	65	
58.7 to	29.8	5.4		C ₂	29.8	.281	53.3	12.8		H.W.	F. 1852, p. 276	66	
44.8	22.4												
58.7 to	29.8	4.3		C ₂	29.3	.147	77.7	11.7		H.W.	F. 1852, p. 276	67	
44.8	22.4												
59.0	29.5			C ₂	29.5		133.5	123.0	Travert'e	H.W.	M. Feb. 18, 1899	68	
59.0	29.5	3.3		C ₂	29.5	.112	42.6	12.1		H.W.	A. April, 1847	69	
16.4	8.2										F. 1852, p. 288		
59.2	9.2	3.2	3.2	C	50.9	.063	62.2			Ry.	D.	70	
59.7	29.8	2.0	4.5	C ₂	29.8	.067	80.8			H.W.	See No. 54	71	
59.7 to	11.7	3.2		E				8.5			F. 1852, p. 282	72	
50.1													
60.0	12.0	3.3	3.3	C	43.5	.076	52.0	8.0		Ry.	B. Jan. 30, 1902	73	
60.0	30.0	2.0		C ₂	30.0	.067	22.2		Berea sandstone	Ry.	N. June 8, 1899	74	

† About.

62. On 4¹/₂° curve. Arches Cyl. H. = 66'. 64. 1st Bridge by Mylne, 1768-72 called New Jamaica St. Bridge. Old Bromielaw Bridge. 68. Originally 8 arches, 5 now buried. To give access to St. Ange Castle. 69. Paris-Versailles. 70. Five tracks. Ribbed arch Skew 42° 44'. Pa. Ry. N. Y. Div. 73. Two abut. piers, 22'. Skew 71° 30'. 74. Twin arches 4' 2" apart. Two tracks. L. S. & M. S. Ry.

TABLE II.—DATA FOR ABOUT 500 ARCH BRIDGES

MASONRY

Number.	Name.	Place.	Over.	Date.	Engineer.	No. of Spans.
75		Minneapolis, Minn. U.S.A.	Mississippi R.			1
76	Dee	Val. Llanguallen, Wales	Dee R.			10
77	S. approach Voynes Viad.	Drogheda Ireland	Boyne R.	1851-67	Macneill	13
78	Muddy Crk.	Addystone O. U.S.A.	Muddy Crk.	†1805	Kittredge	1
79	W. Jersey St.	Elizabeth N. J. U.S.A.	W. Jersey St.	180 -	Brown	1
80	Kennet	Near Caversham, England	Kennet R.	†1840	Brunel	1
81	Staines	Staines, England	Thames R.	1796	Sanby	1
82	Ballater	Ballater, Scotland	Dee R.	1800	Telford	5
83	Stirling	Stirling, Scotland	Forth R.	1820-32	Stevenson	1
84	Richmond	Richmond, England	Thames R.	1774-77	Payne & Couse	5
85	Alness	Alness, Scotland		1816	Telford	1
86		Warfield, England		1846	Grainger	21
87	Anker	England				1
88	Dutton Viad.	England	Weaver Val.		Stephenson	10
89	Holy Cross (old)	Feldkirch, Austria	Ill. R.	11th cen.		1
90	Kingston	Kingston England	Thames R.	1825-28	Lapidge	5
91		Saumur, France	Arm of Loire R.	1756-64	Voglio & Cessart	12
92	Conemaugh	W. of Ben's Crk, Penn., U.S.A.	Conemaugh R.	1896	Brown	1
93	Ben's Creek	Lilly-Portage, Pa., U.S.A.	Conemaugh R.	1896	Brown	1
94	L. Juniata No. 7	1 m. E. Schoenberger's Penn., U.S.A.	L. Juniata R.	1889	Brown	3
95	Big Chiques	Penn., U.S.A.	Big Chiques Crk.	1884	Brown	2
96	Big Viaduct	Viad. Sta., Penn., U.S.A.	L. Conemaugh R.	1889	Brown	2
97	L. Conemaugh No. 6	E. of L. Conemaugh, Pa., U.S.A.	L. Conemaugh R.	1889-90	Brown	3
98	Chestnut St.	Philadelphia, Pa., U.S.A.	Schuylkill R.	1861-66	Kneass	1
99		Bewdley England	Severn R.	1797-9	Telford	1
100	Congleton Viad.	Congleton England	Dane R. & H.W.	1839-	Stevenson	42
101		Ratisbon, Germany	Danube R.	1115		15
102	Tweed	Berwick England	Tweed R.	1847-50	Stevenson	28
103		Charmes, France	Moselle R.	1740		10
104		Kew England	Thames R.			5
105	Görlitz	Near Görlitz, Silesia	Neisse R. & Val.	1844-47		6
						6
						18
						1
106		Dôle France	Doubs R.	1760-64	Gucret	7
107	W. Grand St.	Elizabeth, N. J. U.S.A.	W. Grand St.	189-	Brown	1

* Maximum.

REMARKS.—76. H. = 147.6. Intradors to rail = 6'.1. Shrewsbury-Chester, stone facing. 78. Approach to metal spans Av. H. = 90'. 78. Big 4 Ry. 79. Pa. Ry., N. Y. Div. Skew 60°. Ribbed 80 Great Western Ry. Co. 81. Closed 1797 on account of poor foundation. 84. Clear headway above L.W. = 25'.0. 86. Leeds-Thirsk. H. = 90'.0. 87. 816' long. 88. Grand Junc. Ry. H = 73'.0. 89. Replaced. 90. Found upon blue clay. Kingston-Hampton-wick. 91 A. 1856, p. 376. Found upon piles. 92. Pa. Ry. Pitts. Div. Four tracks. 93. Pa.

ARRANGED ACCORDING TO SPAN—(Continued).
ARCHES.

Span.	Rise.	Thickness of Arch Ring at Crown t_c .	At Springing, t_s .	Curve.	Radius at Crown.	$\frac{t_c}{R}$.	Width, Face to Face at Crown.	Thickness of Piers at Springing.	Material.	Class of Bridge.	Reference.	Number.
60.0	15.0			C			40.0	8.0		H.W.	N. Nov. 23, 1895	75
57.0	14.3											
54.0	13.5											
60.0	30.0											
60.0	30.0			C ₂	30.0		27.8	13.1	Brick	Ry.	F. 1852, p. 156	76
				C ₂	30.0					Ry.	A. July 1851, p. 384	77
60.0	12.0	3.0	3.0	C	43.5	.069	30.0	10.0	Berea sandstone	Ry.	Blue	78
55.0	12.0	3.0	3.0	C	37.5	.080						
60.0	9.5	3.0	3.0	C	52.1	.067	51.0		Brick	Ry.	D.	79
18.0		1.5	1.5				36.0		Brick	Ry.	K. Dec. 20, 1895	80
60.0										H.W.	K. Sept. 13, 1895	81
52.0								8.0				
60.0												
60.0	13.5	2.8	3.5	C	40.0	.070	32.8	9.0	Granite Greenst'e from near Stirling	H.W.	C. 1855-56	82
58.0	12.5	2.8	3.5		38.6	.073				H.W.	C. 1855-56	83
53.5	10.3	2.8	3.5		39.8	.073						
*60.0												
60.0	20.0			C			25.0			H.W.	K. July 12, 1895	84
60.0	30.0								Brick	Ry.	F. 1852, p. 288	85
60.0							31.0		Brick Ring		F. 1852, p. 169	86
30.0											F. 1852, p. 188	87
60.0							30.0			Ry.	A. 1837, 8, p. 125	88
60.0	30.0			C ₂	30.0		111.0			H.W.	O. June 1898	89
60.0	19.0			E			25.0	10.0	Brick faced with stone	H.W.	A. Dec. 1842	90
56.0	18.3							9.3				
52.0	16.3							8.7				
*60.0	21.5	4.8		E	55.4	.087	44.7	12.8		H.W.	K. July 26, 1895	91
60.0	20.0	3.0	3.0	C	32.5	.092	83.5			Ry.	L. F. 1852, p. 276	92
60.0	20.0	3.0	3.0	C	32.5	.092				Ry.	E.	93
60.0	15.0	3.0	3.0	C	37.5	.080	36.6	7.0		Ry.	E.	94
60.0	15.0	2.8	2.8	C	37.5	.075	11.0	12.0	Brick Ring	Ry.	E.	95
60.0	30.0	2.7	2.7	C ₂	30.0	.090	36.5	8.0		Ry.	E.	96
60.0	20.0	3.0	3.0	C	32.5	.092	41.0	7.0		Ry.	E.	97
60.0	18.0	2.5		C	34.0	.074			Brick	H.W.	I.	98
60.0	18.0	2.0		C	34.0	.059	28.0	8.0			I. L. F. 1852 p. 284	99
52.0	16.0											
60.8	20.0			C			31.0		Brick	Ry.	A. 1830, p. 444	100
60.8	30.4	3.2		C ₂	30.4	.105	25.6	20.3		H.W.	F. 1852, p. 274	101
61.5	30.8			C ₂	30.8			5.2	Brick	Ry.	F. 1852, p. 155	102
61.8	30.9	4.3		C ₂	30.9	.139		17.1		H.W.	F. 1852, p. 276	103
34.1	17.1											
61.8	30.9	2.7		C ₂	30.9	.087		8.5			F. 1852, p. 282	104
38.4	19.2											
61.8	30.9			C ₂	30.9				Red Gran.	Ry.	F. 1852, p. 215	105
41.2	20.6				20.6							
30.0	15.5				15.5							
24.8	12.4				12.4							
61.8	19.2	4.3										
51.2				E	44.7	.096			11.5 to 10.7	Ry.	F. 1852, p. 280	106
62.0	9.0	3.6	3.6	C	57.9	.062	51.0			D.		107

† Ab ut.
Ry. Pitts. Div. 04. Ribbed. Skew 45°. Three tracks. Pa. Ry. 05. Pa. Ry. Phila. Div. 06. On 2° curve. Replaced 80' arch, destroyed May 31, 1880, Johnstown Flood. 07. On 5° 33' curve. Skew 57° 54'. Ribbed. Pa. Ry. Three tracks. 100. Manchester-Birmingham Ry. 101. J. 1896, p. 126, gives span = 53-33 and C₂. 102. Stone facing. H. = 124'.6. 105. H. = 115'.3. 328'.0 on curve. Berlin-Breslau. 107. Pa. Ry., N. Y. Div. Skew 57° 41'. Ribbed. Four tracks

TABLE II.—DATA FOR ABOUT 500 ARCH BRIDGES

MASONRY

Number.	Name.	Place.	Over.	Date.	Engineer.	No. of Spans.
108	Holy Cross (new)	Feldkirch, Austria	Ill R.	1898		1
109	St. Angelo	Rome, Italy	Tiber R.	135	Hadrian	
110	Barton Aq.	Worsley, England	Irwell R.	1760-	Brinkley	3
111		Athlone, Ireland	Shannon R.	1844	Rhodes	3
112		Mirepoix, France	Lers R.	1776-90	Garipuy	1
113		Frouard, France	Moselle R.	1788	Le Creux	1
114		Ferté, France	Marne R.		Pitrou	1
115		Montélimar, France	Roubion R.	1806	Voglie	3
116	Actius	Rome, Italy		138	M. Rusticus	7
117	Neuf	Paris, France	Seine R.	1578-1604	Cerceau & Marchand	12
118	Rock River	Watertown, Wis., U.S.A.	Rock R.	1902-03	Loweth	4
119	Coldstream	Coldstream, Scotland	Tweed R.	1771-	Smeaton	5
120	L. Conemaugh No. 3	Summerhill, Penn., U.S.A.	L. Con. R. H. W.	1887	Brown	3
121	L. Conemaugh No. 2	Penn., U.S.A.	L. Conemaugh R.		Brown	1
122	Stockport Viad.	Stockport, England				22
123		Carlisle, Scotland	Eden R.		Smirke	5
124	Rivanna Aq.	U.S.A.			Ellet	5
125	Teviot-Tweed	Near Kelso, Scotland	Teviot R.	1794-95	Elliot	3
126	Houghton River				Haskoll	
127	Conon	England	Conon R.	1809	Telford	1
128	Boberthal	Near Bunzlau, Silesia	Bober R. & Val.			2
129	Cher	France	Cher R.		Beaudemoulin	30
130	Scrvia	Italy	Scrvia R.	1850	Ferraris	6
131	Cinq-Mars	France	Loire R.	1845-46	Bailloud	3
132		Val-Benoist, Belgium		1832		19
133		Furand, France	Furand, R.	1834	Montluisant	5
134		Auzon, France	Vienne R.	1846-47	Beaudemoulin	1
135	Chante-Perdrix	France			Lamothe	5
136	Landwasser V.		Landwasser R.	1901		9
137	Raritan River	New Brunswick, N. J., U.S.A.	Raritan R.	1902-3	Brown	5
138	Kew	Kew, England	Thames R.	1789	Paine	10
139	Bow	Stratford, England	Lea R.	1835-39	Walker & Burgess	2
140		Near York, England	Ouse R.		J. & B. Greene	4
141	Montignac	France	Vézère R.	1766-72	Tardif	1
142		Lancaster, England				2
143	Brig o'Balgownie	Old Aberdeen, Scotland	Don R.	1281	Bishop Cheyne	5
144		Horbury, England	Aire R.	1775	Clinchamp	1
145	Bellecour	Lyon, France		1789-1810		5
146	Viad. d'Arles	Near d'Arles, France	Valley			31

* Maximum

REMARKS.—108. Replaced No. 89. 110. Removed for Manch. Ship. Canal. 111. Gravel foundation. Coffor-dams used. H.=98'5. 116. See Nos. 68 and 109. 117. Repaired 1849-51. E arches built under the circular. See No. 12. 118. C. M. & St. P. Ry. 120. Pitts. Div. Pa. Ry. Skew 60°. Ribbed. On piles. 121. Pitts. Div. Pa. Ry. Stone parapet. 122. Manchester-Birmingham. H.=105'0. 123. Intrados has five centres. 124. James River and Kanawha Canal. 128. Berlin-Breslau. Intrados of each at same elevation. 75 ft. high.

ARRANGED ACCORDING TO SPAN—(Continued).

ARCHES.

Span.	Rise.	Thickness of Arch Ring at Crown <i>h_o</i> .	At Springing, <i>h_s</i> .	Curve.	Radius at Crown.	<i>R/h_o</i>	Width, Face to Face at Crown.	Thickness of Piers at Springing.	Material.	Class of Bridge.	Reference.	Number.
62.3	15.6									H.W.	O. June 1898	108
*62.3							750.8			H.W.	L. O.	109
*63.0	31.5			<i>C₂</i>	31.5				Limestone	H.W.	R. Dec. 1888	110
63.0				<i>E</i>			742.0				A. 1844, p. 444	111
63.9	10.7	5.3		<i>C</i>	55.4	.096	725.6	11.7			F. 1852, p. 282	112
63.9	19.2	5.3		<i>C</i>	55.7	.092		12.8			F. 1852, p. 284	113
63.9	23.5	3.7		<i>E</i>	59.7	.062	22.4				F. 1852, p. 276	114
64.0	21.3	4.3		<i>E</i>	50.6	.084		19.4			F. 1852, p. 286	115
64.0 to 25.4	32.0	4.8		<i>C₂</i>	32.0	.150	50.8	24.5		H.W.	F. 1852, p. 274	116
64.0 to 45.3	32.0	4.5		<i>C₂</i>	32.0	.141	72.5	13.8		H.W.	F. 1852, p. 276	117
64.0	16.5	3.0	3.0		39.3	.076	28.3	8.0	Ring sand stone	Ry.	B. Mar. 26, 1903	118
64.0	16.0	2.7	2.7	<i>C</i>	40.0	.067	23.0			Ry.	E.	119
64.0	16.0			<i>C</i>	40.0					Ry.	E.	120
65.0	32.5	2.8		<i>C₂</i>	32.5	.086	32.0		Brick	Ry.	F. 1852, p. 158. J	121
65.0	21.0	3.8	7.3				336.0			H.W.	C. 1855-6	122
66.0	15.0	2.8	2.8	<i>C</i>	42.7	.066		7.0		Canal	Pub. W'ks, U. S., '41	123
*65.0	17.0			<i>C</i>			23.0			H.W.	L.	124
65.0	32.5	2.8	2.8	<i>C₂</i>	32.5	.086			Freestone	H.W.	I.	125
65.0	21.8	3.0		<i>C₂</i>	36.4	.082	20.0	8.0 to 6.5			L. J. F. 1852, p. 286	126
55.0												127
45.0												128
65.6 less				<i>E</i>						Ry.	F. 1852, p. 212	128
65.6	21.9	3.3		<i>E</i>	47.6	.069		8.5				129
65.6	13.1	3.9		<i>C</i>	47.5	.082	29.5	13.1	Brick ring	Ry.	F. 1852, p. 294	130
65.6	21.6	3.9		<i>C</i>	47.7	.082	28.9	11.5		Ry.	F. 1852, p. 294	131
65.6	8.8	3.3		<i>C</i>	65.5	.054				Ry.	J.	132
65.6	32.8	3.3		<i>C₂</i>	32.8	.101	26.2		Freestone	H.W.	J. P. 1852, p. 290	133
65.6	21.9	3.3		<i>E</i>	47.5	.069		8.5		Ry.	J. P. 1852, p. 294	134
65.6	32.8						26.2			Ry.	G. 1st Tri., 1901	135
65.6	32.8	3.0	4.4	<i>C₂</i>	32.8	.091	8.5	11.5	Limestone	Ry.	Engineer, April, '04	136
66.0	33.0			<i>C₂</i>	33.0		55.0	8.0		Ry.	N. Oct. 10, 1903	137
56.0	28.0	3.2			28.0	.114		to 11.0				138
51.0	25.5											139
72.0	24.0	3.3			39.0	.084						140
66.0							24.0			H.W.	K. June 14, 1895	138
55.0												139
45.8												140
66.0	13.8	2.5	4.0	<i>E₂</i>	81.0	.031	42.5		Granite ring	H.W.	A. Oct. 1837, p. 14.	139
66.0	10.3	3.5		<i>E</i>			29.6	10.0	Brick interior	Ry.	A. April 1839. S	140
66.1 to 42.6	21.3			<i>C</i>				17.1			F. 1852, p. 280	141
66.9	33.5			<i>C₂</i>	33.5			13.1		Canal	F. 1852, p. 286	142
67.0				<i>P</i>						H.W.	L.	143
67.9 to 55.4	12.6	6.4		<i>E</i>	57.5	.111		11.7			F. 1852, p. 282	144
68.2	24.4	2.7		<i>E</i>	53.3	.050		18.6			F. 1852, p. 284	145
68.9	23.0			<i>E</i>						Ry.	F. 1852, p. 129	146

† About.

120. Tours-Bordeaux. Skew 34° 30'. 130. Turin-Genoa. 131. Tours-Nantes. 134. Tours-Bordeaux. 135. Cost 1,017,300 l. 136. Thusis-Engadine. 137. Penn. Ry. 139. Replaced old bridge of 1100-1118. Slight skew. Foundation on gravel. 140. Great North of England Ry. On piles. 142. Bottom of canal to intrados = 8'.5. 146. Avignon-Marseilles. H. = 27'.9. Pile foundation.

TABLE II.—DATA FOR ABOUT 500 ARCH BRIDGES

MASONRY

Number.	Name.	Place.	Over.	Date.	Engineer.	No. of Spans.
147	Central Ave.	Indianapolis, Ind., U.S.A.	Fall Crk.	1899		2
148	Bord		Oeil R. (?)	1764	Leclerc	1
149	Karlsbrücke	Prague, Austria	Moldau	1357-1507		16
150	Potarch	Wales (?)	Dee R.	1813	Telford	1
151	Lockwood	Nr. Huddersfield, England	Sheffield R. Val.	1846-49	Hawkshaw	1
152	Wellesley	Limerick, Ireland	Shannon R.	1827	Nimmo	32
153	Wharnccliffe Viad.	Brent-Knoll, England	Brent R.	1836-37	Brunel	8
154	Crum Elbow	Hyde-Pk.-on-Hudson, N. Y., U.S.A.	Crum Elbow Crk.	1898	Morris	1
155			Lea R.		Braithwaite	1
156	Wissahickon	Pa., U.S.A.		1881-2	Buchholz	5
157	Shock's Mills	Shock's Mills, Pa., U.S.A.	Susquehanna R.	1903-	Brown	28
158	Rockville	Rockville, Penn., U.S.A.	Susquehanna R.	1901	Brown	48
159	Mazares	France (?)	Lère R.	1787	Pertichamp	3
160		Pavia, Italy	Ticino R.	14th Cent.	Under Visconti	7
161		Swatara, Penn., U.S.A.			Osborn	6
162	Homps		Aude R.	1785	Ducros	3
163	Spoletto Aq.	Spoletto, Italy	Valley (?)	741	Theodelapius	10
164	Colorado St.	St. Paul, Minn., U.S.A.		1889	Rundlett	1
165		Helmsdale, Scotland (?)	Helmsdale R. (?)	1816	Telford	2
166		Luxemburg, Germany	Petrusse R.	1899-1903	Sejourne	2
167	North	Edinburgh, Scotland	Waverley Ry. Sta.	1763†		3
168	North Loch	Nr. Edinburgh, Scotland	N. Loch Valley		Mylne	3
169	Schuylkill	Philadelphia, Pa., U.S.A.	Schuylkill R.			4
170	Black Rock Tunnel	Penn., U.S.A.		1836	Robinson	4
171	London (old)	London, England	Thames R.	1176-1209	Peter of Cole	19
172	Brunswick	N. Brunswick, N. J., U.S.A.	Raritan R.	1758		1
				1902	Brown	1
173	Aulne	France			Arnoux	12
174	Boston Ave.	Medford, Mass., U.S.A.	Mystic R.	1900	Bailey	1
175	Zeniec	Austria				2
176	Schmiedtobel	Near Klösterle, Austria	Schmiedtobel	1882?	Huss	3
177	Po	Near Valenza, Italy	Po R.	1850	Rovere	11
178		Dresden, Saxony	Elbe R.	1179-1260	Fotius	18
179	Teviot-Tweed	Kelso, Scotland	Tweed R.	1799-1803	Rennie	5
180	Conon Viad.	Conon, Scotland	Conon R.		Mitchell	5
181	Staines	Staines, England	Thames R.	1832	Rennie	1
182		Fucecchio, Italy	Arno R.	1869		3

* Maximum.

REMARKS.—147. Cost about \$39,000. Pile foundation 3' center to center. 149. Partially destroyed, flood 1890. 151. Huddersfield & Sheffield Ry. 70' and 45' arches on skew and ribbed. H.=122'. 152. "Bell-mouthed" type. 153. Great Western Ry. of England. 156. Cost \$375,000. 157. Penn. Ry., two tracks. 158. Penn. Ry., four tracks, 6° curve at one end. 160. Replaced by another bridge. Covered. Roof supported by marble columns. 161. Lebanon Valley Ry. 163. Now in use. Piers of stone. H.=292'. at springing. 164

ARRANGED ACCORDING TO SPAN—(Continued).

ARCHES.

Span.	Rise.	Thickness of Arch Ring at Crown in.	At Springing, in. ft.	Curve.	Radius at Crown.	R ₁ /R ₂	Width, Face to Face at Crown.	Thickness of Piers at Springing.	Material.	Class of Bridge.	Reference.	Number.
69.0	14.0	2.0	2.0				50.0	6.0	Limestone Ring Obolitic	H.W. and E. Ry.	H. W. Klausman	147
69.0	15.0	2.0	2.0				50.0	6.0			F. 1852, p. 280	148
69.2	25.6			E							F. 1896, p. 126	149
69.5		2.5		C	36.6	.068	20.0	10.0			F. 1852, p. 288	150
70.0	25.8	2.5										
70.0	8.0	2.6	2.6				28.0	4.5	Sandstone	Ry.	C. 1850	151
45.0											A. April, 1851, p. 215	
30.0	15.0	1.5	1.5	E	15.0	.100				H.W. Ry.	C. 1855-6. S. Q.	152
70.0	9.0	2.0	3.0	E			43.0	10.0	Brick, stone fac'g	Ry.	A. 1837-8, p. 126	153
70.0	17.5	3.0					35.0			H.W.	F. 1852, p. 181	
70.0	7.0	2.5	2.5								B. Feb. 16, 1899	154
70.0	17.5	3.8		E			30.0		Brick ring	Ry.	S.	155
70.0	23.0	3.0					28.0	9.5	Talcoose sl.	Ry.	B. May 2, 1902	156
70.0	20.0	3.5	3.5	C	40.6	.086	28.0	8.0		Ry.	T. March 11, 1904	157
70.0	20.0	3.5	3.5	C	40.6	.086	50.0	8.0	Stone ring	Ry.	B. March 10, 1900	158
70.3	35.2			C ₂	35.2		16.0				T. Oct. 25, 1901	
70.4	64.0	3.9		P	85.3	.046	18.7		Brick	H.W. Ry.	F. 1852, p. 284	159
70.0	25.0	3.5		C	37.0	.093	22.5	8.5	Brick	Ry.	F. 1852, p. 276	160
70.2	9.4	4.3		C	68.2	.063			Freestone		L.	161
70.3	35.2			C ₂	35.2		11.7		Brick		J. F. 1852, p. 284	162
70.5	11.0	3.5	4.6	C	62.0	.056	130.0	11.7	Brick	Aqued't	L. Q.	163
70.7	25.0			C			21.0	14.0	Limestone	H.W.	N. Nov. 23, 1889	164
70.8	35.4	2.9								H.W.	F. 1852, p. 288	165
											N. Oct. 12, 1901	166
71.0	35.5			C ₂	35.5		54.5	13.5	Craigleith stone	H.W.	N. Mar. 1, 1902	
*72.0	36.0	2.8		C ₂	36.0	.078	42.3			H.W. Ry.	K. Oct. 1899, pp. 423, 491	167
72.0	16.5	2.0			47.5	.042				Ry.	L.	168
72.0	16.5	2.8	2.8	C	47.5	.059	18.3	8.0		Ry.	F. 1852, p. 292	169
9 to 20							40†	25' to 34'		H.W.	L.	170
72.0												171
72.0	36.0	3.3	3.3	C	36.0	.092	55.0			Penn. Ry.	B. Jan. 30, 1902, p. 80	172
66.0	33.0	3.3	3.3	C	33.0	.100	55.0	9.0		4 tracks		
56.0	28.0	3.2	3.2	C	28.0	.114	55.0					
51.0	25.5	3.0	3.0	C	25.5	.118	55.0	8.0				
72.2	31.1			C ₂	31.1		26.6					
72.2	15.5	2.5	2.5		49.8	.050	56.0		Granite	Ry.	G. 1st Tri. 1901	173
72.2		2.6	4.3							H.W. Ry.	Wm. G. Taylor	174
72.2	36.1	4.1	7.5	C ₂	36.1	.114				Ry.	B. Dec. 7, 1893	175
39.4	19.7				19.7						G. 1888, XVI, p. 575	176
72.2	11.2	3.8		C	63.9	.059	32.8	9.84	Brick	Ry.	F. 1852, p. 296	177
72.5	36.3	6.4		C ₂	36.3	.180	37.3	29.9		H.W.	F. 1852, p. 274	178
73.0	21.0			E			26.0			H.W. Ry.	L.	179
73.0		3.0	4.0								K. Sept. 20, 1867, pp. 296, 257	180
74.0	9.3	3.0	6.0		78.0	.038	34.0	8.3	Granite	H.W.	C. S. K. Sept. 13, 181	181
66.0	8.3										1895, p. 336	
74.0											Jour. F. Inst., Feb. 1870, p. 101	182

† About.

Skew 60°. Pile foundation. 166. Four lateral arches in each spandrel. 167. Replaced by steel, 1898-9. 168. H. = 65' to top of parapet. 169. To Mt. Carbon, W. Va. 170. Phila. & Reading Ry. 171. Replaced in 1824-31. 172. 72' span. Stepped Skew 63° 10'. Backing of masonry 24' to 28' above springing, then earth fill. 173. Cost 2,165,000 f. 174. Cost \$17,300. Skew 16°. 175. Austrian State Ry. 176. Austrian State Ry. 177. Alessandria to Lake Maggiore. 179. Below Elliot's Bridge. 180. Highland Ry. one track.

TABLE II.—DATA FOR ABOUT 530 ARCH BRIDGES

MASONRY

Number.	Name.	Place.	Over.	Date.	Engineer.	No. of Spans.	
183	Albany St.	Scotland N. Brunswick, N. J., U.S.A.	Earn R.	1781-1821	Rennie	3	
184			Raritan R.	1802	Dean and West- brook	7	
185	Whitadder	Allantown England(?)	Whitadder R.	1842	Stevenson	2	
186	Westminster (old)	Westminster, England	Thames R.	1738-50	Labelye	15	
187	St. Maxence, France	Navilly, France	Oise R.	1774-85	Perronet	3	
188			Doubs R.	1780	Gauthey	15	
189			Loire R.	1789-1800	Vareigne and Vimar	7	
190	Compiègne, France		Oise R.	1783	Lahite	3	
191	Pont Royal	Semur, France	Armançon R.	1780	Dumorey	1	
192		Paris, France	Seine R.	1685	Mansard	5	
193	Cestius	Rome, Italy	Tiber R.	1st c. B.C.	Under Cestius	1	
194	Hyde Park	Perth, Scotland	Tay R.	1760-71	Smeaton	9	
195			Readville, Mass., U.S.A.	Hyde Park Ave.	1807-98	Curtis	7
196			Italy	Taro R.	1816-20	Cocconcelli	20
197			Orleans, France	Loire R.			
198	Crown St. or Hutchenson	Glasgow, Scotland	Clyde R.	1829-33	Stevenson	1	
						2	
						2	
199	Molle	Near Rome, Italy	Tiber R.	†100 B.C.	Scaurus		
200	Fabricius	Rome, Italy	Tiber R.	†62 B.C.	Fabricius	1	
						1	
201		Scotland	Avon R.	1820	Telford	1	
202	Annan	Near Johnstown, Scotland	Annan R.	1820	Telford	1	
203	High Bridge	New York, N. Y., U.S.A.	Harlem R.	1837-42	Jervis	8	
204	Conewago	W. of Conew'g, Pa., U.S.A.	Conewago Crk.	1801-92	Brown	7	
205	Schuylkill Falls	Philadelphia, Pa., U.S.A.	E. Pk. Drive	1890	Nichols	1	
206	Conemaugh	Viad. Station, Pa., U.S.A.	Conemaugh R.	1833	Penn. Ry.	1	
207	Posen Viad.	Posen, Germany	Po R.	1810	Pertinchamp	5	
208	Vittorio	Turin, Italy				4	
209	Painsville Viad.	Near Painsville, O., U.S.A.				4	
210		Triport, France	Marne R.	1758-64	Peronnet	3	
211	Pont du Gard	14 m. from Nismes, France	Gardon R.	Bet. 27 B.C.-14 A.D	Under Agrippa	1	
				1st tier		3	
				2d tier		2	
				3d tier		12	
				top tier		36	
212		Prague Austria	Moldau R.			8	
213		York, England	Ouse R.	16th cent.		3	
214		Near Montlouis, France	Loire R.	1845	Morandièrre	12	
215		Tablonica Austria					
216		Baiersbonn, Germany	Forbach R.	1890	Leibbrand	1	
217	Oise	Near Pontoise, France	Oise R.	1843	De Breville and Couche	3	

* Maximum.

REMARKS.—183. On piles. 184. Skew. 186. First use of modern caisson. Replaced by cast-iron bridge. 187. Radial joints in spandrels. 193. Continuation of Fabricius Bridge. 195. Skew 61° and $77^{\circ} 52'$. N. Y., N. H. & H. Ry. 200. 13' arch in pier. 201. Glasgow-Carlisle. 203. H. = 100' o. Parapet 116' above water. 204. Phila. Div. Pa. Ry. 6° curve. Two tracks. 205. Phila. & Reading Ry. 206. Pitts. Div. Pa. Ry. Destroyed by Johnstown Flood, 1889. 208. Commenced by French 1810. Completed by King Victor

ARRANGED ACCORDING TO SPAN—(Continued).

ARCHES.

Span.	Rise.	Thickness of Arch Ring at Crown <i>h_c</i> .	At Springing, <i>h_s</i> .	Curve.	Radius at Crown.	<i>h/R</i> .	Width, Face to Face at Crown.	Thickness of Piers at Springing.	Material.	Class of Bridge.	Reference.	Number.	
75.0	18.5	2.7		E			40.9	18.6	Brick stone fac'g	H.W.	S. 1839	183	
75.0	15.0	2.4	2.4	C	54.4	.044	35.0	10.0		H.W.	B. April 16, 1892, p. 373	184	
75.0	11.5	2.5	3.0				30.0	10.0	Soft red sandstone	H.W.	A. March, 1844, p. 128	185	
76.0	38.0	7.6	14.0	C ₂	38.0	.200	46.9	18.1	Portland stone	H.W.	K. 1895, p. 306; L. F.	186	
76.0	6.4	4.8		C	118.2	.041	76.7	9.6		H.W.	S. F. 1852, p. 282	187	
76.7	25.6	4.3		E	53.3	.080		16.0			F. 1852, p. 284	188	
76.7	26.6	3.2		E	63.9	.050	35.1	13.3			F. 1852, p. 284	189	
76.7 to 70.3	25.6	4.3		E	53.3	.080	32.0	12.8		H.W.	F. 1852, p. 278	190	
76.8	38.4	3.2		C ₂	38.4	.084					F. 1852, p. 282	191	
76.8 to 68.2	25.7	4.8		E			55.4	14.9		H.W.	F. 1852, p. 276	192	
76.8	38.4	4.8		C ₂	38.4	.125	30.9			H.W.	Q. F. 1852, p. 274	193	
77.0							26.0			H.W.	L. T. Aug. 12, 1808	194	
78.0	14.3	3.0	3.0	C	60.3	.049	165.0		Brick	Ry.	F. 1852, p. 288	195	
78.7	21.6	4.0		E	46.6	.026		15.1		Ry.	I. C. 1855-6	196	
79.0	26.3	4.0		C			38.0		Sandstone	H.W.		197	
79.0	13.4	3.5	4.5	C	64.9	.054				H.W.	Q. F. 1852, p. 282	198	
74.5	11.8	3.5		E	64.7	.054							
65.0	8.7	3.5		E	65.0	.054							
79.3 to 51.0							29.0			H.W.	Q. Cresy's Enc. C. E.	199	
80.0	40.0	6.0		C ₂	40.0	.150	51.2	32.0	Peperino, tufa and travertine	H.W.	F. 1852, p. 274	200	
72.5	30.8	6.0		C	39.8	.151	27.0						M. No. 1207
80.0	20.0	3.0		C	50.0		27.0				F. 1852, p. 288	201	
80.0	20.0	3.0		C ₂	50.0	.060	20.0		Aqued't	H.W.	F. 1852, p. 288	202	
80.0	40.0	2.5	5	C	40.0	.062	21.0					Johnson's Ency.	203
80.0	20.0	3.0		C ₂	40.0	.088	25.0	12.0	Sandstone	Ry.	E. B. May 24, 1894; Jan. 24, 1891	204	
80.0	26.0	3.5	0	C	43.8	.069	30.0				Ry.	Q. Am. Sup.	205
80.0	40.0	3.0	5	C ₂	40.0	.075	58.0		Brick Granite	Ry.	I. U. B. May 2, 1902	206	
80.0	16.0	4.7		E	58.0	.081					H.W.	Q. F. 1852, p. 280	207
80.4 to 76.7	28.8	4.8	3.0	C ₂	40.0	.075	90.0	10.0	Freestone	H.W.	Q. F. 1852, p. 280	210	
80.5	27.7			C	42.0	.114	32.0	16.0					
80.5	40.3	5.3		C ₂	40.3	.124	20.8		Aqued't and H.W.	H.W.	Johnson's Ency.	211	
63.0	31.5	5.0		E	31.5	.159						P. Oct. 1896, p. 122	
51.0	25.5	5.0		E	25.5	.196							
15.8	7.9	2.6		C	7.9		15.0		Granite	Ry.	K. May 10, 1878	212	
80.9				P			11.8				H.W.	Q.	
81.0	26.3			E					Ry.	K. Dec. 22, 1871		214	
81.2	23.3	4.4		E	78.5	.056	28.2	10.7		Ry.	B. Dec. 7, 1803	215	
82.0		3.6								H.W.	G. 1st T. 1901	216	
82.0	9.8	2.0	6				21.7			Ry.	F. 1852, p. 294	217	
82.0	11.7	4.6		C	77.6	.050	25.4	10.1					

† About.

Emmanuel. 209. Lake Shore & M. S. R.R. 210. First bridge entirely designed by Peronnet. 211. Fifth century, ends destroyed. Repaired 1743 and piers prolonged for new bridge. H. = 160'. 212. Between Karlin and Bubua. Viaduct has 87 arches. 214. Orleans-Tours. Damaged in War 1870-71. 215. Austrian State Ry. 216. Three-lead hinges. Cost 18,260 f. 217. Skew 76°. Ch. de fer du Nord.

TABLE II.—DATA FOR ABOUT 500 ARCH BRIDGES

MASONRY

Number.	Name.	Place.	Over.	Date.	Engineer.	No. of Spans.
218	Crueize Viad.	Near Marvejois, France	Crueize R.			6
219	Stulz Viad.		Stulz Gorge			
220	Mussy Viad.	Mussy, France	Mussy R.	1892-6	Geoffroy, Morris and Pouthier	18
221	Pont Royal	Paris, France	Seine R.	1685	Mansard	5
222		Moret, France	Loing R.	1771	Peronnet	3
223		Elkader, Iowa, U.S.A.	Turkey R.	1888	Tschirgi	2
224	Cart	Paisley, Scotland	Cart R.	1839	Locke	3
225	Big Walnut	U.S.A.		1902	Graham	3
226		Sisteron, France	Durance R.	1500		1
227	Cognet	Hautes Alpes, France	Drac R.	1605		2
228		Maligny	Serin R.		Werbruge	1
229		Darlaston, England				
230		Coatsville, Pa., U.S.A.	W. B. Brandywine	1902	Brown	2
231		Blois, France	Loire R.	1723	Gabriel	7
232		Bordeaux, France	Garonne R.	1813-22	Deschamps	11
233	Lea Cut	Lea Cut, England	Lea Cut R.			17
234	Salarius	Narses, Italy	Teverone R.	Rebuilt 6th cent.		1
235	Fouchards	Samur, France	Thouet R.		Trudaine or Voglie Picot	3
236	Pont de Pierre	Grenoble, France	Isère	1839		1
237		La Voulte, France	Allier R.			2
238		Albois (?), France	Aveyron R.	1770	Boesnier	3
239	Dee Viad.	Bet. Rhog-v-Medre and Chirk, Wales(?)	Dee R.	1849		19
240	Dunkeld	Dunkeld, Scotland	Tay R.	1809	Telford	7
241	Dean	Near Edinburgh, Scotland			Telford	
242	Licking Aq.		Licking R.		Fisk	
243		Castellane, France	Verdon R.	1404		1
244		Romans, France	Isère			4
245	Enz	Near Hofen, Germany	Enz R.	1885	Leibbrand	1
246	Jena	Paris, France	Seine R.	1806-12	Lamandé	5
247		Stonleigh, England	Avon R(?)	1781-1821	Rennie	1
248	Alcantara	Toledo, Spain	Tagus R.	907	Romans(?)	3
249	Louis XVI(?)	France		1791	Perronet	4
250	Spey	Fochabers, Scotland	Spey R.		Burn	4
251	Trinity	Florence, Italy	Arno R.	1569	Ammanati	1
252		Pontoise, France	Oise R.(?)	1772	Peronnet	1
253	St. Edme	Nogent-on-Seine, France	Seine R.	1766-69	Peronnet	1
254	Vecchio	Florence, Italy	Arno R.	1177	Gaddi	3
255		Neuville, France	Ain R.	1775	Aubry	2

* Maximum.

REMARKS.—218. H. = 207'. 6. Midland Ry. 219. Thusis-Engadine. 220. B. Nov. 8, 1864.
 p. 388. Paris, Lyon. 224. Glasgow & Paisley Joint Ry. 225. B. & O. Ry., Newark Div.,
 two tracks. 230. Over Wilmington & Northern Ry. and deep ravine. 234. Blown up in

ARRANGED ACCORDING TO SPAN—(Continued).

ARCHES.

Span.	Rise.	Thickness of Arch Ring at Crown <i>f_o</i> .	At Springing, <i>f_s</i> .	Curve.	Radius at Crown.	<i>R_o</i> / <i>R_s</i> .	Width, Face to Face at Crown.	Thickness of Piers at Springing.	Material.	Class of Bridge.	Reference.	Number
*82.0	†41.0	†4.2	†8.2	3C	41.0	.102	26.2	16.4	Granite	Ry.	R. March, 1891	218
82.0	41.0	3.3	4.9				8.5			Ry.	Engineer. April 8, 1897, pp. 357, 366.	219
82.2	41.1	4.6		C ₂	41.1	.112	26.5	16.4	Limestone	Ry.	K. April 30, 1897, p. 575	220
*82.3				C			†60.0	23.0		H.W.	L. F. 1852, p. 280	221
83.1		4.5		C	153.4	.028	41.6	8.0	Limestone	H.W.	B. April 11, 1891	222
84.0	27.9	3.0	4.0	C	45.5	.066	30.0			Ry.	A. 1839, p. 313	223
85.0	18.0			C					Freestone	Ry.	T. Aug. 22, 1902	224
85.0		3.3	3.3	C			32.0	10.0		Ry.	F. 1852, p. 282	225
85.2	57.5	2.7		E					Freestone	H.W.	F. 1852, p. 276	226
*85.3	42.0	4.6		C ₂	42.6	.108	11.8			H.W.	J. F. 1852, p. 282	227
85.3	42.6	3.0		C	42.6	.070	21.3		Freestone	H.W.	C. 1855-56	228
86.0	13.5	3.5		C	75.2	.047	26.5			Ry.	T. Nov. 21, 1902, p. 898	229
86.0	43.0			C	43.0				Brick and stone	H.W.	F. 1852, p. 276	230
78.0	39.0			E	39.0					H.W.	P. 1886, p. 134	231
86.3 to 54.3	30.9	6.9		E	57.5	.120	22.4	15.9	Brick and stone	H.W.	J. F. 1852, p. 288	232
86.9 to 65.9	28.9	3.9		E			49.2	13.8		H.W.	C. 1855-56	233
87.0	16.0	3.8					30.0		Brick, stone trim	H.W.	M. Feb. 18, 1899, p. 19346	234
87.8	43.9			C ₂	43.9		27.8			H.W.	F. 1852, p. 282	235
88.4	7.4			C	84.2		10.1		Brick, stone trim	H.W.	F. 1852, p. 282	236
88.6	22.1	3.9		E	114.8	.034	32.8	16.4		H.W.	F. 1852, p. 292	237
75.4	20.7	3.5		E					Fine stone	Ry.	F. 1852, p. 282	238
*89.5	28.8			E	52.2	.070	38.4	13.9		Ry.	F. 1852, p. 280	239
*90.0	33.0	3.7		E					Fine stone	Ry.	A. Oct. '48, p. 317	240
90.0 to 22.0	30.0	3.0			48.7	.062	27.0	16.0		H.W.	L. F. 1852, p. 286	241
90.0	30.0	3.0		C	48.8	.061		14.0	Aqued't	H.W.	I. F. 1852, p. 274	242
90.0	15.0	2.8		C	76.0	.037				H.W.	F. 1852, p. 282	243
90.3	29.9	4.3		C	73.5	.058			Sandstone	H.W.	F. 1852, p. 282	244
91.1 to 70.2	23.9	4.3		C	55.1	.077	19.9	28.8		H.W.	K. 1892, p. 560; G. 1891, p. 920	245
c-91.9	c-9.2	3.3	4.9	C	119.4	.041	10.7		Freestone	H.W.	C. 1855-56, H. F. 1852, p. 286	246
*91.8	10.8	4.7	†8.0	C	102.0	.046	46.4	9.8		H.W.	S. P. 1896, p. 130	247
92.0	13.0	†4.6		C	87.9	.052	16.0		White marble	H.W.	Woodbury, 1858	248
*93.0	46.5									H.W.	L. A. April, 1847, p. 104	249
94.0	9.8	3.7					21.5	26.3	White marble	H.W.	A. April, 1847, p. 104	250
*95.8 to 87.6	16.0	3.2	3.2	E			33.8			H.W.	F. 1852, p. 280	251
87.6	14.8			C	165.6	.032	41.5	9.8	Freestone	H.W.(?)	F. 1852, p. 280; V. July 17, 1897	252
95.9	7.1	5.3		E	79.9	.066	32.0			H.W.	J. F. 1852, p. 276; P. 1896, p. 129	253
95.9	28.8	5.3		P	85.2	.062	105.0	23.5	Freestone	H.W.	P. 1852, p. 282	254
*95.9	19.2	5.3		E	71.1	.060		10.2		H.W.	F. 1852, p. 282	255

† About.

1867. "hinges." 230. Shrewsbury & Chester Ry. 242. Chesapeake & Ohio Canal. 245. Three lead hinges." 247. On piles. 254. Covered. Rebuilt about 1350.

TABLE II.—DATA FOR ABOUT 500 ARCH BRIDGES

MASONRY

Number.	Name.	Place.	Over.	Date.	Engineer.	No. of Spans.
256	Dean	Edinburgh, Scotland		1831	Telford	4
257		Drôme, France		1774	Bouchet	3
258	Fleischbrücke	Nuremberg, Bavaria		1599	Carln	1
259	Imnau	Near Imnau	Eyach R.	1896	Liebbrand	1
260		Charrey, France	Saône R.	1888	Mocquery	5
261		Near Chalonnès, France	Loire R.	1864-5	Morandiere	17
262	Rialto	Venice, Italy	Grand Canal	1588-91	Ant. da Ponte	1
263	Margherita	Rome, Italy	Tiber R.	1891	Vescovali	3
264		Carbonne, France	Garonne R.	1770	Saget	3
265	Pont du Jour	Paris, France	Seine R.	1864	Bassompierre	5
						31
266	Alcantara Aq.	Near Lisbon, Portugal		1731-75		35
267	Bishop Aukland	England	Wear R.	1388		
268	Etherow River		Etherow R.		Hoskoll	4
269	Blackfriars (old)	London England	Thames R.	1760-70	Robt. Mylne	9
270	Alcantara	Alcantara, Portugal	Tagus R.	100†	Trajan	6
271	Wellington	Leeds, England	Aire R.	1816-19	Jno. Rennie	1
272	Rutherglen	Bet. Glasgow and Rutherglen, Scotland	Clyde R.	1895	Crouch & Hogg	1
						2
273		Minneapolis, Minn., U.S.A.	Mississippi R.	1882-93	Smith	4
						15
						1
						1
						1
274	Elster Viad.	Bet. Reichenbach and Plauen, Saxony	Elster R. & V. (two tiers)	1846-50	Wilke	18
275	Göltzsh	Bet. Reichenbach and Plauen, Saxony	Göltzsh R. & V. (four tiers)	1846-5-	Wilke(?)	1
						1
						20
						21
						16
						10
276	Lempde	Rouen, France	Alagnon	1785	Mauriset	1
277		France	Seine R.		Lamandé	5
278	Montlyon		Durance R.	1805	Delbergue-Cormon	1
279	Pont au Double	Paris, France	Seine R.	1847	De Lagalisserie	1
280	Guillotière	Lyons, France	Rhone R.	1265	Ass. des frères Dupont	18
281	P. de la Concorde	Paris, France	Seine R.	1787-92	Perronet	1
						2
						2
282		Munich, Bavaria	Isar R.(?)	1814	Wiebeking	3
283	Gère	Vienna, Austria		1781	Vimar	1
284	Avignon	Avignon, France	Rhone R.	1177-87	Benezet	21

* Maximum.

REMARKS.—256. 96'.0 arches are under sidewalks. 257. 90'.0 arches are under roadway.
 259. Three granite "hinges." 261. Granite piers on concrete foundation. Two tracks. 265.
 Parapets, etc., Jura marble. 266. H. = 230'.0. Highest single tier of stone arches in the world.

ARRANGED ACCORDING TO SPAN—(Continued).

ARCHES.

Span.	Rise.	Thickness of Arch Ring at Crown <i>f_o</i> .	At Springing, <i>f_s</i> .	Curve.	Radius at Crown.	<i>R/f_o</i>	Width, Face to Face at Crown.	Thickness of Piers at Springing.	Material.	Class of Bridge.	Reference.	Number.
96.0	16.7	3.0			77.5	.030	41.0			H.W.	F. 1852, p. 192	256
90.0	30.0	2.3			48.7	.062				H.W.	F. 1852, p. 282	257
*96.0	27.7	6.4		E	74.5	.086		17.1		H.W.	P. 1806, p. 132; F. 1852, p. 276	258
97.0	13.0	4.0		P	80.0	.050	53.3			H.W.	G. 1852, p. 276	259
c-c98.4	c-c9.8	1.5	1.6	C	128.4	.012	713.0		Beton	H.W.	G. '98, 2d Tri.	259
*98.4	12.3	3.8	4.9	C	104.5	.036	18.2	11.5	Limestone	H.W.	G. VI, 1806, p. 737	260
98.4	†24.6			E			726.2		Marble	Ry.	K. Oct. 18, 1867	261
98.5	23.0			P			64.0			H.W.	Q. P. 1806, p. 122; F. 1852, p. 276	262
*99.0	16.5	15.0	†6.0	S			767.5		Rezzato & travertine stone	H.W.	R. June, 1892, p. 260	263
99.1	40.5	3.7		E	73.5	.050	25.6	22.6		H.W.	F. 1852, p. 280	264
99.2	31.2	5.1		E			101.7		Stone from	H.W.	K. Feb. 8 & Jan. 25, 1867	265
15.8	7.9			C	7.9		29.5		Château Haudon	Ry.		
*100.0	88.0			P						Aqued't	P. 1806, p. 137	266
100.0	22.0	1.8	1.8	C						H.W.	I.	267
*100.0	25.0	4.0	4.0	E	62.5	.064	245.0			Ry.	I.	268
*100.0	43.0	5.0		C						H.W.	L. P. 1806, p. 136; F. 1852, p. 280	269
*100.0	50.0			C ₂	50.0				Granite	H.W.	L.	270
100.0	15.0	4.0	7.0	C	90.8	.043			Brown sandstone	H.W.	A. 1844, p. 128 and 246	271
100.0	12.6	4.0	4.0	C	97.6	.041	†50.0	13.5	Granite	H.W.	Engineer, Aug. 23, 1805, p. 182	272
90.0	11.7	4.0	4.0		91.4	.044	†50.0	13.5	Granite	H.W.	Jour. West. Soc. Eng. Vol. 8, 1903, p. 421	273
100.0	39.7	3.0					28.0	7.0	Limestone	Ry.	Eng. Vol. 8, 1903, p. 421	274
80.0	40.0	2.7			40.0	.067		14.0				
71.4	15.0	2.7										
42.9	13.0	2.5										
40.0	5.3	2.7										
100.3	23.2			C ₂			26.1		Brick mostly	Ry.	F. 1852, p. 200	274
100.3	3.7			C			26.1		Brick mostly	Ry.	F. 1852, p. 199	275
92.0	46.4	3.7		C ₂	46.8	.080			Rings of brick		Q. Am. Sup.	
46.8	23.4	1.5		C ₂	23.4	.064						
44.6		1.5		C	23.4	.064						
41.8		1.5		C	23.4	.064						
39.0		1.5		C	23.4	.064						
101.2	32.0			E						H.W.	F. 1852, p. 284	276
*101.7	13.7	4.5		E	95.7	.047				H.	H.	277
101.7	32.0			E	77.8					H.W.	F. 1852, p. 286	278
101.8	9.8	5.3		C	136.2	.039	52.2		Millstone grit	H.W.	J. F. 1852, p. 296	279
102.3	38.4	2.1			62.9	.034		34.1		H.W.	F. 1852, p. 274	280
102.3	9.8	3.7		C	148.0	.025	51.1	9.6	Freestone	H.W.	J. F. 1852, p. 284	281
92.7	8.7	3.4			127.5	.027						
83.1	6.4	3.2			138.2	.023						
102.3	17.1	4.3		C	82.5	.050	42.6	9.6	Freestone	H.W.	J. F. 1852, p. 288	282
102.7	28.2	5.2		C	57.4	.090	35.6			H.W.	F. 1852, p. 284	283
*102.0	51.5	2.4		C ₂	51.5	.047	15.4	22.8	Freestone	H.W.	J. L. P. 1806, F. 1852, p. 274	284

† About.

260. Replaced by cast iron, 1865. 270. H. = 210'. 271. Coffers employed. 273. Minneapolis Union Ry. Two tracks. 274. Saxony-Bavaria. 275. Saxony-Bavaria. H. = 264.0 284. In ruins.

TABLE II.—DATA FOR ABOUT 500 ARCH BRIDGES

MASONRY

Number.	Name.	Place.	Over.	Date.	Engineer.	No. of Spans.
285		Port de Piles, France	Creuse R.	1846-47	Bayeux	1
286	Herault	Route of Nice, France	Herault R.(?)	1878	Grangent Reiter	2
287		Prague, Bohemia	Moldau R.			1
288	Wissahickon	Marbach, Germany	Murr R.	1887	Leibbrand	2
289		Philadelphia, Pa., U.S.A.	Wissahickon Crk.	1897	Gen. Thayer	1
290	Potomac Aq.	Washington, D. C., U.S.A.	Potomac R.	1793	Hupeau	7
291	Ponthaut	Germany	Bonne R.			1
292		Orleans France	Loire R.	1750-60		9
293		Hartford, Conn., U. S. A.	Connecticut R.	1903	Graves	1
294		Baiersbronn, Germany	Murg R.	1889	Leibbrand	1
295		Wurtemberg, Germany	Nagold R.	1882		1
296		Winstone, England	Tees R.	1762	Robinson	
297		Sault, France	Rhone R. Br.	1825-27	Montluisant	1
298	Lodi St.	Elyria, Ohio, U.S.A.	W. Br. Black R.	1894	Jackson and Bunce	1
299		Toulouse, France	Garonne R.	1543-1632	Souffron	7
300	ad Worochta	Worochta, Austria	Pruth R.	1892-93	Huss	12
301		St. Esprit, France	Rhone R.	1265-1309	Ass. des freres Dupont	19
302		Nantes, France	Loire R.	1757-65	Hupeau	3
303		Mantes, France	Seine R.			1
304	Grand-Maitre	Fontainebleau, France	Fontainebleau V.	1869	Belgrand	21
305	Cresheim	Fairmont Park, Philadel- phia, Penn., U.S.A.	Cresheim Crk.	1892	Webster	1
306	Napoleon	Paris, France				
307	Tongueland	Near Kirkendbright, Scot- land	Dee R.	1806	Telford	1
308		Hartford, Conn., U.S.A.	Connecticut, R.	1904-	Graves	6
						1
						1
						2
						1
						2
309	Waterloo (new)	London, England	Thames R.	1817	Rennie	9
310	Devil's Br.	Near Lucca, Italy	Serchio R.	1000†		1
311	Têtes	France	Durance R.	1732	Hanriana Vaudray	1
312		Bourbonnais, France				
313	Vingeanne Val.	Near Oisilly, France	Vingeanne Val.			7
314		Rumilly, France	Cheran R.	1785	Garella	1
315	Maidenhead	Maidenhead, England	Thames R.	1832-38	Brunel	6

* Maximum.

REMARKS.—285. Tours-Bordeaux. Two tracks. 288. Three lead hinges. 290. Skew
69° 26'. Ten 4' ribs. 293. See No. 308. 294. Three lead hinges. Cost 23,890 f.
299. Stone trimmings. 300. Austrian State Ry. 301. Small arches in piers. 304. Paris

IGED ACCORDING TO SPAN—(Continued).

3.

Rise.	Thickness of Arch Ring at Crown in.	At Springing in.	Curve.	Radius at Crown.	R ₁ /R ₂	Width, Face to Face at Crown.	Thickness of Piers at Springing.	Material.	Class of Bridge.	Reference.	Number.
40.5	4.3	4.3	E	70.8	.060	30.0	19.2	Freestone	Ry.	C. 1851-52: J. F. 1852 p. 276	285
15.4	2.7		C	90.5	.029	22.4		Granite	H.W.	F. 1852, p. 294	286
16.2	4.0	5.3				39.8	13.1			K. May 10, 1878, p. 359	287
15.3								Coushohocken stone	H.W.	G. 1891, 1, p. 922	288
14.5			C	140.2	.028	18.4			H.W.	B. Sept. 9, 1897, p. 162	289
13.7			C(?)	118.1	.025	135.0		Aqued't			
10.2	3.9	4.0							A. 1837, 8, p. 148	290	
11.0	3.0	4.5						F. 1852, p. 284	291		
53.1	5.7		C2	53.1	.108	29.5		Granite	H.W.	L. F. 1852, p. 276	292
28.8	6.9			83.9	.083	49.0	19.2-18.1		N. Dec. 26, 1903	293	
16.0	5.8							G. 1st Tri., 1901	294		
27.0			E					H.W.	G. 1891, 1, p. 903	295	
10.8	2.0	2.6				21.7?		H.W.	L. F. 1852, p. 288	296	
10.8	3.3	5.3				16.4		H.W.		297	
31.9	4.6		E	114.2	.057	23.0	22.2	Elyria sandstone	H.W.	C. H. Snow, City Engineer, Elyria, O.	298
29.5	4.3		E	81.0	.037				H.W.	F. 1852, p. 276	299
19.5	3.5	4.3				38.0		Brick			
38.4	3.7			76.8	.049	64.0	26.6	Ry.		B. Dec. 7, 1893, p. 448	300
56.8	4.3	6.7	C2	56.8	.076	14.7			H.W.	F. 1852, p. 274	301
44.8	5.9		C	70.4	.084	17.6	27.8	H.W.			302
34.4	6.4									Q.	
34.0	6.4		E						I.		303
19.3								Beton	Aqued't	K. Oct. 1869, p. 275	304
21.2	3.5	4.5				10.0		Buff sandstone	Sewer	B. Aug. 31, 1893, p. 170	305
14.8	4.0							Granite	Ry.	I.	306
38.0	3.6		C	64.8	.056	24.0			H.W.	L. F. 1852, p. 286	307
21.1						102.0	15.0-40.0	Granite	H.W. and El. Ry.	T. Feb. 19, 1904, p. 123	308
22.9											N. Dec. 26, 1903
25.1										N. Dec. 31, 1904, p. 765	
27.0								Granite	H.W.	S. K. Feb. 22, 1895, p. 236; F. 1852	309
28.8			E			44.0	20.0		H.W.		
29.8								Limestone sandstone	H.W.		
34.6	4.5	10.0	C2	60.3	.074	12.0					
60.3	14.5							Granite	H.W.	F. 1852, p. 278	311
61.8	4.7		C2	61.8	.065	15.9					
6.9	2.7	3.6	C	255.7	.010			Granite	Ry.	I.	313
46.0			E			114.0				Ry.	B. Dec. 7, 1893
63.8	5.3		C2	63.8	.086	23.5		Freestone	H.W.	J. F. 1852, p. 284	314
24.3	5.3	7.5	E	169.0	.031	136.0			Brick	Ry.	P. W'ks, G. B., '46
										K. Oct. 25, 1895	

bout.

ppl. 308. Pneumatic foundations. Cost (est.) \$1,600,000. 310. Four small side
 313. E. Ry. of France. 315. Great W. Ry.

TABLE II.—DATA FOR ABOUT 500 ARCH BRIDGES

MASONRY

Number.	Name.	Place.	Over.	Date.	Engineer.	No. of Spans.
316		Neuilly, France	Seine R.	1768-74	Perronet	5
317		Mantes, France	Seine R.	1757-65	Hupeau under Perronet	1
318	Echo Br.	Newton Upper Falls, Mass.	Charles R.	1876	Fitzgerald	2
319		U.S.A.				1
320		Elyria, Ohio	Black R.			4
320		Aberdeen, Scotland	Den Burn Rill	1801+	Telford	1
321		Wan Hsien, China				1
322	North Ave.	Baltimore, Md., U.S.A.	Gorge-Jones' Falls	1893-95	Smith	3
323	1st Worochta	Worochta, Austria	Pruth R.	1892-93	Huss	1
324	Boucicault	Verjux, France	Saône R.	1888-90	Jozon	6
325	Moret Viad.	Moret, France	Loing Val.	1847-49		3
326		Scrivia, Italy	Scrivia R.	1850+	Ranco	30
327	St. Martin	Toledo, Spain	Tagus R.	1203		5
328		Villeneuve, France	Lot R.	1732		4
329	Vizille	Near Grenoble, France	Romanche R.	1766	Bouchet	1
330	Waldi-Tobel	Near Bludenz, Austria	Gorge	1884	Huss	1
331		Verdun, France	Doubs R.	1895-97	Jozon	1
332	Castalet				Sejourné	2
333	Albula R. Viad.	Sales	Al. R. Gorge	1903		1
334	Br. C33	Bellows Falls, Vt., U.S.A.	Connecticut R.	1899	Cheever	2
335	St. Sauveur	France				1
336	Pont-y-tu-prydd	Nr. Newbridge, S. Wales.	Taff R.	1755	Edwards	1
337	Alma	Paris, France	Seine R.	1855	Darcel	1
338		Near Narni, Italy		Bet. 27 B.C.-14A.D.		2
339	Putney Road	Putney, England	Thames R.	†1882	Bazalgette	1
340	Outer Maximilian	Munich, Bavaria	Isar R.	1904		2
341	Verone	Near Vicux-Château, Italy	Adige R.	1354	Under Scala	1
342		Moulins, France	Allier R.	1705-1710	Mansard	1
343	Pont-du-Crét	Near Perpignan, France	Tech R.	1336		2
344		Turin, Italy	Dora Riparia R.	1834	Mosca	1

* Maximum.

REMARKS.—316. In design R. = 160'0. 317. Destroyed in War 1870. 318. Sudbury Aqueduct for Boston. H. = 79'0. 321. Slightly pointed. 322. Skew 55°. Ribbed. 323. Austrian. State Ry. 324. Radius at spr. = 75'5. Paris-Lyon. Two tracks. Approach to metal spans crossing river. Curve about 0° 52'. 330. H. = 165'0. Slight curve. 331. Extrados arc of circle 144'3.

ARRANGED ACCORDING TO SPAN—(Continued).

ARCHES.

Span.	Rise.	Thickness of Arch Ring at Crown f_0 .	At Springing, f_s .	Curve.	Radius at Crown.	$\frac{f_0}{R}$.	Width, Face to Face at Crown.	Thickness of Piers at Springing.	Material.	Class of Bridge.	Reference.	Number.	
*128.2	32.0	5.3		E	250.0	.021	47.9	14.0	Freestone	H.W.	L. J. P. 1896; F. 1852, p. 280	316	
128.2	38.5	6.4		C	89.5	.071	35.6	25.6		H.W.	L. V. July 17, 1897	317	
115.4	34.9										F. 1852, p. 276		
129.0	42.3	5.0	6.0		67.5	.074	18.0		Granite	H.W.	Boston Water Works	318	
34.0				C						Aqued't	Fitzgerald		
37.0	18.5			C ₂	18.5						A. Pteley		
37.0	14.0						27.0		Granite		See No. 298.	319	
129.0	29.0			C			43.0			H.W.	L. p. 477	320	
130.0	65.0			C ₂						H.W.	B. June 19, 1902	321	
130.0	26.0	5.0	8.4	E			100.0	16.0	Brick Ring	H.W. & E. R.R.	B. July 6, 1893, p. 7	322	
131.2	32.8	4.6	7.2				14.7				Ry.	B. Dec. 7, 1893, p. 448	323
36.1													
26.2													
131.2	16.4	3.4	†4.9	E	177.0	.019	26.0		Villebois stone	H.W.	B. May 18, 1893	324	
											G. 1892, p. 445; P. 1892, p. 50		
131.2	16.4	2.6			139.4	.019	29.5	8.2			Ry.	F. 1852, p. 117	325
32.8	16.4				16.4				Brick				
131.2	43.7	5.9		E	86.9	.068				Ry., Turin to Genoa	F. 1852, p. 296	326	
				P									
*132.0				C ₂	66.3	.080	10.6			H.W.	P. 1896, p. 130	327	
*132.6	66.3	5.3		E	115.0	.067	32.3			H.W.	F. 1852, p. 276	328	
133.8	†38.2	7.7									F. 1852, p. 280	329	
134.5	42.6	5.6	10.2								Ry.	G. 1888, p. 575	330
134.5	30.1	3.9		E ₂			19.7	13.1	Limestone	H.W.	G. 1897, 4 ^o , p. 179	331	
126.3	27.9	3.9											
134.5											B. Feb. 27, 1902	332	
137.8							8.5			Ry.	Engineer, April 8 and Mar. 4, 1904, pp. 228 and 355	333	
98.4													
140.0	20.0	4.0	4.0	C	132.6	.030	27.0			Ry.	B. June 21, 1900, p. 402, and Blues P. 1896, p. 140	334	
140.0	35.0	1.5		C			15.8		Freestone	H.W.	Q. L.	335	
141.4	28.2	4.9						16.4	Millstone grit	H.W.	Q. J.	336	
126.0	25.2	4.9								H.W.	A. 1856, p. 376	337	
142.0											L.	338	
135.0													
114.0													
75.0													
144.0	19.3	4.5	5.5		144.0	.031	47.0	18.0	Granite ring	H.W.	K. May 17, 1895	339	
129.0	16.3	4.3	5.3		136.0	.032		and 19.0			K. July 23, 1886, p. 85		
112.0	13.0	4.2	5.2		127.0	.033		20.9	Limestone	H.W.	B. Oct. 27, 1904	340	
144.3							71.5	36.2	Freestone	H.W.	J. F. 1852, p. 274	341	
146.0	35.8	5.3		C	90.5	.050	22.4	and 22.4					
87.4	21.3							36.2					
35.0	17.1							and 36.2			F. 1852, p. 276	342	
147.1													
115.1													
147.6	73.8	4.6	13.1	C ₂	73.8	.062	12.8			H.W.	B. Dec. 7, 1893	343	
148.0	18.0	4.9		C	160.0	.031	40.0		Granite	H.W.	F. 1852, p. 274	344	
											I. U. 1846, p. 27; F. 1852, p. 290		

† About.

and 150'.0 radius. 333. Thusis-Engandine. H. = 282'. 335. H. = 215'.0. 337. Rubble grouted. Foundation on piles. 338. Probably the most magnificent bridge built by the Romans in Italy. 340. Three metal hinges. Failed by hinges slipping, June 27, 1904. 342. Failed 1770. 343. Mostly brick. Stone ring.

TABLE II.—DATA FOR ABOUT 500 ARCH BRIDGES
MASONRY

Number.	Name.	Place.	Over.	Date.	Engineer.	No. of Spans.
345	Bellefield	Nr. Kleinwolmsdorf, Sax. Pittsburgh, Penn., U.S.A.	Roeder R.	1896-	Rust	1
346			St. Pierre Hollow			1
347	Claix	Near Grenoble, France	Drac R.	1611	Kinney Telford	1
348		Elyria, Ohio, U.S.A.	Black R.	1886		1
349	Gloucester	Gloucester, England	Severn R.	1827		1
350			Berne, Switzerland	Aar R.		11204
351	Vieille Brioude	Brioude, France	Allier R.	1454	Greiner and Es- tone	1
352	London.	London, England	Thames R.	1821-30	Rennie	1 2 2
353	Janma	Near Tournon Jamma, Austria	Doux R.	1545	Huss	1
354			Pruth R.	1892-3		1
355	Main St	Wheeling, W. Va., U.S.A.	Wheeling Crk.	1892	Hoge & White	1
356	{ Tyne Wear Viad. Victoria	Near Newcastle, Eng. Sunderland	Tyne R.			1
			Wear R.			1
	Low Lambton	Wear R. & Val.	1			
357		Gignac, France	Herauld R.	1777-93	Garipuy	6 1
358		Near Lavaur, France	Agout R.	1775	Saget	1
359	Nydeck	Berne, Switzerland	Aar R.	1840-44	Müller	3
360	Antoinette	Near Ballochmoyle, Scot.	Ayr R.		Sejourné Millar	1
361	Ballochmoyle					6
362	Vieille Brioude	Brioude, France	Allier R.		Romans	1
363		Near Coppel, Germany	Schwaendenholz Ravine & Brook	1901		1
364	Gour Noir	4 k. from Uzerche, France	Vézère R.	1888-9	Daigrement	1
365	Grosvenor Lavaur	Turin, Italy	Dora Riparia R.	1833	Hartley	1
366		Chester, England	Dee R.	1812-3	Hartley	1
367		Near Lavaur, France	Agout R.	1888	Sejourné	1
368		Bogenhausen, Bavaria	Isar R.	1901-02	Fischer, Archt.	1
369		Germany	Gutach R.	1901		1
370		Jaremcze, Austria	Pruth R.	1892-3	Huss	1 5 2
371	Cabin John	Washington, D. C., U.S.A.	Cabin John Crk.	1857-64	Meigs	1
372	Trezzo	Italy	Adda R.	1903	Under Barnabè Visconti	1
373		Near Trezzo, Italy	Adda R.	1380		1
374	Plauen	Luxemburg, Germany	Petrusse R.	1899-03	Sejourné	1
375		Plauen, Saxony	Valley	1905	Leibold	1

* Maximum.

REMARKS.—345. Saxony-Silesia. Cut-stone ring. 348. Rock foundation. 350. First stone bridge over Aar near Nydeck castle. 353. Rock foundation. 354. Austrian State Ry. 356. Durham Junc. Ry. H. = 151' about. 358. H says five arches. 361. Glasgow and S. W. Ry. 362. Fell 1822. See No. 351. 363. On curve $R = 2660'$. Clear H. = 124'.5. 364. Limoges-Brive

ARRANGED ACCORDING TO SPAN—(Continued).

ARCHES.

Span.	Rise.	Thickness of Arch Ring at Crown ft.	At Springing ft.	Curve.	Radius at Crown.	$\frac{h}{R}$	Width, Face to Face at Crown.	Thickness of Piers at Springing.	Material.	Class of Bridge.	Reference.	Number.
148.6	49.5	5.6		C	80.1	.070	26.0		Gray sandstone	Ry.	F. 1852, p. 204	345
150.0	36.6	4.0	6.0				82.0			H.W.	B. June 22, 1899, p. 391	346
150.2	54.4	3.2		C	82.0	.030	20.2		Sandstone	H.W.	H. F. 1852, p. 276	347
150.0	27.0	3.2	4.5	C	117.6	.032	28.0			H.W.	B. May 31, 1890	348
150.0	54.0	4.5		E	152.4	.029	27.4		Granite	H.W.	H. F. 1852, p. 290	349
150.5										H.W.	B. Dec. 19, 1895	350
150.9	75.5	4.3		C ₂	75.5	.057	24.7		Granite	H.W.	A. 1844, p. 247; F. 1852, p. 274	351
152.0	37.7	4.8	10.0	E ₂	162.0	.029	56.1	24.0		H.W.	A. 1847, p. 106	352
140.0		4.6	9.0					22.0	Soft Sandstone	H.W.	F. 1852, p. 200	353
130.0		4.6	8.5							Ry.	P. 1896, p. 128	354
156.7	65.0	2.200		C	78.0	.035	16.0		Soft Sandstone	H.W.	J. F. 1852, p. 276	353
157.4		5.0	8.5	C			14.7			Ry.	B. Dec. 7, 1893, p. 448	354
29.5									Soft Sandstone	H.W.	Blues	355
159.0	28.4	4.5	6.0	C	125.4	.036	48.0	21.5		Ry.	F. 1852, p. 178	355
159.9	79.9	4.6	4.6	C ₂	79.0	.058	25.8	23.8	Soft Sandstone	H.W.	A. 1837-38, p. 57	356
144.0	72.0	4.6	4.6	C ₂	72.0	.064		21.5			C.	1855-56
99.8	49.9	4.6	4.6	C ₂	49.9	.092			Freestone	H.W.	H. J. F. 1852, p. 284	357
20.2	10.1			E	117.7	.055		25.6				
160.0	44.0	6.5		E	41.6	.156			Freestone	H.W.	H. F. 1852, p. 282	358
83.1	41.6	6.5		C ₂	103.4	.095	38.4				H.W.	O. Nov. '97, p. 322
160.5	65.0	6.3		E			39.8		Volcanic rock	H.W.	B. Dec. 19, 1895	359
*160.7											Ry.	F. 1852, p. 204
164.0									Volcanic rock	H.W.	B. Feb. 27, 1902	360
180.0	90.0	6.0?	6.0?	C ₂	90.0	.067	28.0				Ry.	C. 1851-52
50.0	25.0	4.5							Sandstone	H.W.	A. June, 44, p. 247	362
183.7	160.0	5.3		C	91.8	.058	16.0				Ry.	B. Dec. 26, 1901, p. 487
187.0	55.8	5.9	8.5				14.4		Granite ring	Ry.	G. 1892, p. 545	364
106.8	52.8	5.6	13.8	C	118.1	.047					H.W.	H. p. 225
200.0	42.0	4.0		C	140.0	.028			Sandstone	H.W.	A. G. June, 1891	366
200.0	42.0	4.5	7.0	C	140.0	.032	35.5				H.W.	B. Oct. '01, Dec. 7, '93
201.7	90.2						60.6		Limestone	Ry.	R. 1889, p. 584	368
C-C.											H.W.	N. Oct. 4, 1902
209.0	21.4	3.4							Sandstone	Ry.	B. Sept. 18, 1902	369
210.0	52.5	6.6	9.2				13.7				Ry.	B. Jan. 18, 1902
213.0	59.0	6.9	10.2				14.7		Granite ring	Ry.	B. Dec. 26, 1901	370
39.4											H.W.	B. Dec. 7, 1893, p. 447
220.0	57.3	4.2	6.2	C	134.3	.031	20.3		Granite	Aq. and H.W.	K. April 19, 1867	371
†230.0		4.9	7.2	3C	246.0	.020	17.3				Ry.	N. July 20, 1899
251.0	87.8	4.0	4.0	C?	133.6	.030			Hard slate	H.W.	N. Oct. 17, 1903	372
											H.W.	B. Dec. 7, 1893; C. 1855
277.7	101.7	4.7	7.1				18.1		Hard slate	H.W.	B. Feb. 27, 1902	374
295.3	56.4	4.9	6.6		344.5	.044	52.5				H.W.	B. Aug. 17, 1905, p. 156
43.3	15.6											

† About.

366. F. 1852, p. 290. Lead in ring joints † span from abutment. 367. Rough stone in cement.
 368. Three metal hinges backed with granite. Five lateral arches in each spandrel. 369. Lateral arches. Max. H. = 111'.5. 372. Three-hinged for D. L. Fixed for L. L. 373. Destroyed 1416.
 374. Twin arches 19'.4 apart. 375. Longest stone arch in the world.

TABLE II.—DATA FOR ABOUT 500 ARCH BRIDGES

PLAIN CON

Number.	Name.	Place.	Over.	Date.	Engineer.	No. of Spans.
1	Fern St.	W. Hartford, Conn., U.S.A.	Trout Brook	1902-3	Crawford	1
2	Casey R.	Las Marias, Porto Rico	Casey R.	1899(?)	Buel	1
3	Bridge No. 41	Sharpsville, Penn., U.S.A.	Pine Run	1900	Geer	1
4		Cheltenham, Mo., U.S.A.	Des Peres R.	1904(?)	Purdon	3
5		Bet. Manati and Aales, Porto Rico	Quebrada R.(?)	1899(?)	Buel	1
6		Mansfield, Ohio, U.S.A.		1904(?)	Keith	1
7		Bet. Santiago and El Caney, Cuba	San Juan R.	1902	Rockenbach	2
8	Cannington Viad.	Cannington, England		1900-02	Pain	10
9	Ewarton Br.	Jamaica, W. I.	Ravine	1881-82	Bell	4
10	Lochnanuamh Viad.	Scotland		1899†	Simpson and Wilson	5
11		Scotland	Arnabol Burn	1899†	Simpson and Wilson	6
12	Finnan Viad.	Scotland	Finnan Valley	1899†	Simpson and Wilson	21
13		Washington, D.C., U.S.A.	Broad Branch	1901	Douglas	1
14		Northampton, Pa., U.S.A.	Hokendauqua Crk. and Highway	1900	Thompson	1
15		Adjuntas, Porto Rico	Small stream	1899(?)	Buel	1
16		Salt River, Ariz., U.S.A.	Dam spillway	1905-		3
17	Bridge No. 242	W. of Cincinnati, O., U.S.A.	Tanner's Crk.	1903-4	Kittridge	1
18		Thebes, Ill., U.S.A.	Bank of Mississippi R.	1902	Noble and Mojeski	2
19		Concord, Mass., U.S.A.	Assabet R.	1901	Worcester	1
20	Bridge No. 163	W. of Cincinnati, O., U.S.A.	Tanner's Crk.	1903-04	Kittridge	3
21		Ehingen, Wurtemberg	Danube R.	1898		2
22	Ashtabula Br.	Ashtabula, Ohio, U.S.A.	Ashtabula R.	1904	Beckwith	1
23		Near Rechtenstein, Wurtemberg	Danube R.	1893	Braun	2
24		Plano, Ill., U.S.A.	Big Rock Crk.	1903-4	Breckenridge	1
25		Near San Leandro, Cal., U.S.A.	S. Leandro Crk.	1901	County Surveyor	1
26	St. Ana Viad.	Riverside, Cal., U.S.A.	Santa Ana R.	1902-04	Hawgood	8
27	Morar Viad.	Scotland	Morar R. & H.W.	1898-9	Simpson and Wilson	2
28		Near Imnau, Germany	Eyach R.	1896	Leibbrand	1
29		Pittsburg, Penn., U.S.A.	Silver Lake	1905	Brown	1
30		Near Tarvis, Austria	Schlitz R.	†1903		5
31		Thebes, Ill., U.S.A.	Bank of Mississippi R.	1902	Noble and Mojeski	1
32		Near Mechanicsville, N. Y., U.S.A.	Anthony Kill			2

* Maximum.

REMARKS.—1. Cost \$4050. 3. Skew, 15° 0'. Penn. Ry. 4. 1:6 "chats." St. L. & S. F. Ry. 6. Three cast-iron hinges. 7. Contract price, \$31,000. 9. On curve, 1080' R. Jamaica Govt. Rys. 12. On curve 1200' R. L=1248'; H.=100'. 13. Pebble-faced. Cost \$4150.17. 14. Three tracks. C. R.R. of N. J. Ex. metal used in radial planes. 15. 1600' above sea-level. 16. Very flat arches; about 12" fill over key. 17. "Big 4" Ry., Chicago Div. 18. Approach to

ARRANGED ACCORDING TO SPAN—(Continued).

CRETE ARCHES.

Span.	Rise.	Thickness at Crown.	At Springing.	Curve.	Radius at Crown.	Thickness at Crown = $\frac{1}{16}$.	R $\frac{1}{16}$.	Width, Face to Face at Crown.	Thickness of Piers at Springing.	Class of Bridge.	Reference.	Number
26.0	5.0	2.0	2.0		10.5	2.0	.103			H.W.	N. April 25, 1903	1
10.0	3.0	1.3	1.3		5.5	1.3	.236	†30.0	4.0	H.W.	Cem., Jan. 1902	2
30.0	15.0	2.5		C ₂	15.0	2.5	.167			Ry.	T. Nov. 16, 1900	3
30.0	15.0	2.5	2.5	C ₂	15.0	2.5	.167	75.5		Ry.	B. Nov. 3, 1904	4
36.0	18.0			C ₂	18.0			87.0	5.2	H.W.	Cem., Jan. 1902, p. 328	5
39.4	9.8	1.6				1.6				H.W.	N. Feb. 18, 1905	6
40.0	7.5	.7	.8			.7		40.0		H.W.	B. Jun. 13, 1903, p. 549	7
40.0	11.5	1.5			30.0	1.5	.050	20.0	8.0	H.W.		
50.0	16.0	2.5	2.5	E	25.2	2.5		16.0	6.0	Light Ry.	N. Oct. 21, 1905	8
50.0	22.2	2.0	3.0			2.0	.079	16.0		Ry.	B. July 27, 1893	9
50.0										Ry.	B. Feb. 9, 1899, p. 85	10
50.0										Ry.	B. Feb. 9, 1899, p. 85	11
50.0	25.0	2.5		C ₂	25.0	2.5	.100		6.0	Ry.	B. Feb. 9, 1899, p. 85	12
50.3	17.0	†1.8	†6.0			†1.8		26.0		H.W.		13
51.8	13.5	3.5			31.5	3.5	.111	42.0		Ry.	N. Jun. 8, 1901, p. 541	14
34.0	11.3	2.8		E	28.0	2.8	.100			H.W.	Cem., Jan. 1902	15
55.0	11.0	1.5				1.5		10.3	6.5	H.W.	N. Oct. 14, 1905	16
59.0		†1.5						†33.0	9.3	Ry.	N. Mar. 5, 1904, p. 292	17
60.0	26.0	2.7		C		2.7				Ry.	T. Jan. 9, '03, p. 21; B. Nov. 20, 1902	18
40.0	20.0	2.3		C ₂	20.0	2.3	.115			Ry.	N. Mar. 14, 1904, p. 292	19
65.0	32.5	3.3		C ₂	32.5	3.3	.102	28.0	12.0	Ry.	Municip. Engineering, March, 1902	20
66.0	11.0			E				†35.0		H.W.		21
68.0	17.0	3.5	6.0	5C	64.0	3.5	.055	33.0	12.5	Ry.	N. Mar. 5, 1904	22
69.0		2.3	3.0	C		2.3		24.6	6.6	H.W.	B. Jan. 9, 1902, p. 35	23
66.0	7.2									Ry.	T. Jan. 27, 1905	24
74.0	37.0	†6.5		C ₂	37.0	6.5	.176	145.0		Ry.	Y. 1898	25
74.4	8.2	2.1				2.1				H.W.	N. Jan. 2, '04, p. 18	26
75.0		3.0			43.0	3.0	.070	44.0		Ry.	B. Aug. 27, 1903, p. 174	27
81.3	26.0	3.0	15' 20"	5C	61.5	3.0	.048	†50.0		H.W.	N. Sept. 9, 1905, p. 284	28
86.0	43.0	3.5		C	43.5	3.5	.081			Ry.	B. Feb. 9, 1899, p. 85	29
38.5										Ry.		30
90.0	24.0	3.0				3.0				Ry.		31
50.0												32
20.0												33
08.4	9.8	1.5	1.6			1.5		8.2		H.W.	G. 2 Tri., 1898	34
100.0	50.0	4.0	4.0	C ₂	50.0	4.0	.080	54.0	12.0	Ry.	N. May 6, 1905, p. 528	35
80.0	40.0	3.6	3.6		40.0	3.5	.088			H.W.	Engineer. April 22, 1904, p. 424	36
100.0	10.0	2.3	2.3							Ry.	T. Jan. 9, '02, p. 21; B. Nov. 20, 1902	37
100.0	50.0	4.5		C ₂	50.0	4.5	.090	28.0		El. Ry.	B. Nov. 5, 1903, p. 408	38
100.0												39
50.0												40

† About.

Thebes Bridge. 20. "Big 4" Ry., Chicago Div. 21. Cost \$21,000. 22. L. S. & M. S. Ry. Four tracks. 23. Three lead "hinges." 24. C. B. & O. Ry. Two tracks. 25. Skew, 10° Cost \$25,840. 26. One track. S. P., L. A. & S. L. Ry. 27. Mallaig Ex. of W. Highland Ry. 28. Three granite "hinges." 29. Penn. Ry. Four tracks, 5° curve. 30. Three steel "hinges." 31. Approach to Thebes Bridge.

TABLE II.—DATA FOR ABOUT 500 ARCH BRIDGES

PLAIN CON

Number.	Name.	Place.	Over.	Date.	Engineer.	No. of Spans.
33	Danville Arch	2 miles from Danville, Ill., U.S.A.	Vermillion R.	1905	"Big 4"	1
34		Near Mittenberg, Germany	Main R.	1898-99	Fleischman and Bosch	2
35	Grand Maitre	Fontainebleu Forest, France	Valley	1860	Belgrand	2
36		Kirchheim, Wurtemberg	Neckaar R.	1898†		4
37	16th St.	Washington, D. C., U.S.A.	Piney Branch	1905	Douglas	1
38	Borrowdale	Scotland	Bor'dale Burn	1898-99	Simpson and Wilson	1
39	Coulouvrenière	Geneva, Switzerland	Rhone R.	1895	Butticaz	2
40	Big Muddy	Near Grand Tower, Ill., U.S.A.	Big Muddy R.	1901-03	Parkhurst	3
41	Inzigkofen	Inzigkofen, Wurtemberg	Danube R.	1896	Leibbrand	1
42	Vauxhall	London, England	Thames R.	1899	Binnie	1
43	Conn. Ave. Br.	Washington, D. C., U.S.A.	Rock Creek	1889-1906	Morison & Biddle	5
44		Munderkingen, Wurtemberg	Danube R.	1893	Douglas Leibbrand	2
45		Near Oviédo, Spain	Nalon R.	Proposed		1
46		Neckarhausen, Germany	Neckar R.	1903†	Leibbrand	1
47		Ulm, Germany	Ry. Yards	1905†		1

* Maximum.

REMARKS.—34. Three lead "hinges." 35. Paris water-supply from Vanne. 36. Three lead "hinges." 38. Mallaig Ex. of W. Highland Ry. 39. Three "hinges." 40. Two tracks, Ill. Cent. Ry. 41. Three cast-iron "hinges." 42. Three "hinges." 44. Three steel "hinges."

ARRANGED ACCORDING TO SPAN—(Continued).

CRETE ARCHES.

Span.	Rise.	Thickness at Crown.	At Springing.	Curve.	Radius R at Crown.	Thickness at Crown = 40.	$\frac{R}{r}$.	Width, Face to Face at Crown.	Thickness of Piers at Springing.	Class of Bridge.	Reference.	Number.
100.0	40.0	4.0		C	51.3	4.0	.088	42.0	15.0	Ry.	N. Mar. 3, 1906, p. 338	33
80.0	30.0	3.6			41.7	3.6	.086					
112.0	16.4	2.5	2.8			2.5		23.0	10.2	H.W.	B. July 25, 1901, p. 61	34
107.3	17.5											
	14.8	2.5	2.8			2.5						
102.3	18.3											
	13.8	2.3	2.6			2.3						
	19.0											
*115.8	10.3	1.3				†1.3				Aqued't	K. Oct. '60, p. 275	35
124.6	19.0	2.6	3.0	Par		2.6		†18.0		H.W.	B. Mar. 9, 1900	36
125.0	39.0	5.0				5.0		25.0		H.W.	B. Nov. 16, 1905	37
127.5	22.5	4.0				4.0				Ry.	B. Feb. 9, 1899, p. 85	38
20.0												
131.2	18.2	3.0	3.0	C	127.3	3.0	.024			H.W.	Y. 1898	39
140.0	30.0	7.0	†20.0	E	167.0	7.0	.042	50.6		Ry.	B. Nov. 12, 1903, p. 423	40
141.0	14.4	2.3	2.6			2.3		†12.5			B. April 22, 1897	41
144.6	†18.6	3.9	3.9			3.9						42
130.6	†20.0	3.9	3.9			3.9		†84.0		H.W.	N. Feb. 25, 1899	
150.0	75.0	5.0		C ₂	75.0	5.0	.067	52.0	20.0	H.W.	N. July 8, 1905, p. 30	43
82.0	41.0	3.3			41.0	3.3	.080				B. June 1, 1905	
164.0	16.4	3.3	3.6			3.3		†26.2		H.W.	G. 3 Tri., 1897, p. 356	44
165.0	18.8	3.7	3.			3.7		†17.0		H.W.	B. Sept. 26, 1901	45
165.0	13.5	2.8	3.7			2.8		15.8		H.W.	Engineer, Dec. 30, 1904, p. 650	46
215.0								†46.0		H.W.	B. March 15, 1906	47

† About.

45. Three "hinges." 46. Three cast-iron and steel "hinges." 47. Three "hinges;" centre to centre of hinges 187'.0; rise centre to centre of hinges 18'.7; cost \$45,000.

TABLE II.—DATA FOR ABOUT 500 ARCH BRIDGES
REINFORCED CON

Number.	Name.	Place.	Over.	Date.	Engineer.	No. of Spans.
1		Elkhart, Ind., U.S.A.	La Rue H. W.	1903		1
2		Vulcanite, N. J., U.S.A.	Highway	1905-6	Osgood	1
3	Ridgewood Ave.	Rock Rapids, Ia., U.S.A.	Ravine	1894	M. A. C. Co.	1
4		Ridgewood, N. J., U.S.A.	Br. of Saddle C.	1897	M. A. C. Co.	1
5		Marion Co., Ind., U.S.A.		1899		1
6		Waldwick, N. J., U.S.A.	Stream	1898?	M. A. C. Co.	1
7		Mahwah, N. J., U.S.A.	Stream	1898	M. A. C. Co.	1
8		Crystal Lake, N. J., U.S.A.	Stream	1898	M. A. C. Co.	1
9		Delaware Co., Penn., U.S.A.	Stream	1905?		1
10		Wayne Township, N. J., U.S.A.	Stream	1896	M. A. C. Co.	1
11	Linwood Ave.	Ridgewood, N. J., U.S.A.	Saddle R.	1895	M. A. C. Co.	1
12		W. Edwardsville, Kan., U.S.A.	Mission Creek	1904?	Walter	1
13		Indian Creek, Ill., U.S.A.	Indian Creek	1903	Smith	3
14	S. Jefferson St.	Oconomowoc, Wis., U.S.A.	Lake	1899	Hall	1
15	McKinley Arch	Battle Creek, Mich., U.S.A.	Kalamazoo R.	1899	Reiseger	2
16		St. Louis, Mo., U.S.A.	Des Peres R.	1902	Phillips	1
17	San Miguel	Sorsogan, Philippines	Stream	1905	Stevens	1
18		Manila, Philippines	Estero S. Miguel	1905	White & Co.	1
19		Albion, Mich., U.S.A.		1898?	Keepers & Thacher	3
20	Como Park	St. Paul, Minn., U.S.A.	Rapid Transit Ry.	1904	Wilson	1
21	Como Park	St. Paul, Minn., U.S.A.	Rapid Transit Ry.	1904	Wilson	1
22	Mount St.	Atlantic Highlands, N. J., U.S.A.	Grand Ave.	1895-96	M. A. C. Co.	1
23	Salem St.	Carbondale, Penn., U.S.A.	Lackawanna R.	1896	M. A. C. Co.	1
24	Florida Keys Viad.	Florida Keys, U.S.A.	Salt Water	1905-		
25	Lamington Br.	Marysborough, Queens-land	Mary R.	1896	Brady	11
26		Louisville, Ky., U.S.A.	Beargrass Creek	1897	Keepers & Thacher	1
27		Decatur Township, Ind., U.S.A.	Goose Creek		Nelson	1
28	Mich. Cent. Ry.	Detroit, Mich., U.S.A.	Southern Bvd.	1895-6	Keepers & Thacher	1
29		Hyde Park, N. Y., U.S.A.	Crum Elbow C.	1897	M. A. C. Co.	1
30	Arch St.	Plainwell, Mich., U.S.A.	Kalamazoo R.	1903	Courtwright	7
31	Jackson St.	Paterson, N. J., U.S.A.	Passaic R.	1903	Schwiers	3
32	Sixth Ave.	Newark, N. J., U.S.A.	Jackson St.	1904	Osgood	1
33	Goat Island	Carbondale, Penn., U.S.A.	Lackawanna R.	1896	M. A. C. Co.	1
34		Niagara Falls, N. Y., U.S.A.	Niagara R.	1900-1	Buck (State) Waldo (Con.)	1
35		Clifton, N. J., U.S.A.	Passaic R.	1903	Schwiers	2
36		Route Neutra, Hungary		1892		5
37		Route Nymphenburg, Wurtemberg				1
38	Castle Eichorn	Mähren, Austria	Ravine	1898	Venier	1
39	Eighth Ave.	Carbondale, Penn., U.S.A.	Lackawanna R.	1896	M. A. C. Co.	1
40	Franklin Br.	St. Louis, Mo., U.S.A.	Des Peres R.	1897-98	Dean	1
41	Montgomery St.	Jersey City, N. J., U.S.A.	Street	1895-96	M. A. C. Co.	1

* Maximum.

REMARKS.—1. L. S. & M. S. Ry. 2. C. R. R. of N. J.; two tracks. 3. Six 4" 7.5-lb I beams, 36" centre to centre. 4. Nine 5" 9.75-lb. I beams; 36" centre to centre. 5. Melan type. 6. Nine 5" 9.75-lb. I beams; 34" centre to centre. 7. Nine 5" 9.75-lb. I beams; 31" centre to centre. 8. Nine 5" 9.75-lb. I beams; 36" centre to centre. 9. Skew. Phila. R. T. Co. 10. Nine 5" 9.75-lb. I beams; 35" centre to centre. 11. Seven 5" 9.75-lb. I beams 36" centre to centre. 12. U. P. Ry.; two tracks. 13. C. I. & St. L. Ry., Short Line; two tracks. 14. Flat bars and expanded metal. 15. Melan type; twenty-one 6" I beams. 17. Various sizes and shapes of bars. 19. Thacher type. 20. 5" 9.75-lb. I beams; 38" centre to centre (?). 21. Four angles, 2" X 2" X 1/4"; 38" centre to centre (?). 22. Eight 6" 12.25-lb. I beams; 36" cen-

ARRANGED ACCORDING TO SPAN—(Continued).

CRETE ARCHES.

Span.	Rise.	Thickness at Crown.	At Springing.	Curve.	Radius R at Crown.	Kind of Steel.	Per Cent Steel at the Crown.	Width, Face to Face at Crown.	Thickness of Piers at Springing.	Class of Bridge.	Reference.	Number.
30.0	9.0	3.3	6.4			1 1/2" J	.55			Ry.	B. July 14, 1904	1
30.0	10.0					1 1/2" O				Ry.	N. Sept. 9, 1905	2
30.0	6.6	0.5	2.5	3C	39.0		1.02	17.5		H.W.	X.	3
30.0	3.0	0.9	1.8				.80	26.0		H.W.	X.	4
32.0	3.2									H.W.	Cement, Sept. 1900	5
32.0	3.2	0.9	2.0				.85	24.0		H.W.	X.	6
32.0	3.2	0.9	2.0				.93	22.6		H.W.	X.	7
32.0	6.4	0.9	3.3				.80	26.0		H.W.	X.	8
33.0	16.0	0.5	0.9	E		O				Int'r.R.R.	N. Dec. 2, 1905	9
35.0	3.5	0.8	2.0				.82	25.0		H.W.	X.	10
40.0	8.0	1.0					.66	20.0		H.W.	X.	11
40.0	20.0	2.2	10.0		21.0	1 1/2" J	.70	38.0		Ry.	T. Dec. 8, 1905	12
40.0	20.0	2.5		C2	20.0	1 1/2" J		32.3		Ry.	T. March 11, 1904	13
42.0	6.7	0.5						42.0		H.W.	B. Oct. 19, 1899	14
42.0								66.0		H.W.	T. Sept. 24, 1900	15
45.0				E		1 1/2" J		45.0		H.W.	B. June 11, 1903	16
45.0	6.0			E		Var.		35.0		H.W.	N. Oct. 21, 1905	17
45.9				5C	43.0	+		34.0		H.W.	N. July 8, 1905	18
46.7	6.3							28.0		H.W.	B. Sept. 21, 1899	19
50.0	12.5	0.8	2.5				1.75	17.0		Foot-bri'e	N. Dec. 3, 1904	20
50.0	12.5	0.8	2.5				1.99	17.0		Foot-bri'e	B. April 6, 1905	21
50.0	11.0	0.8	3.0	C	33.9		1.11	25.0		H.W.	N. August 22, 1896	22
50.0	8.3	0.8	2.8				1.25	55.0		H.W.	X.	23
50.0	25.0	2.0		C2	25.0	1 1/2" J	.76	15.0		Ry.	B. Oct. 19, 1905	24
50.0	4.0	1.7	5.7				.71	22.7		H.W.	N. Nov. 17, 1900	25
50.0	11.2	1.0	5.0	3C	41.7	3" x 1 1/2"		60.0		H.W.	B. Feb. 14, 1901 K. & T. Blues	26
50.0										H.W.	Cement, Nov. 1901	27
50.3	9.5	1.5	7.5	C	38.2		3.75	109.0		Ry.	N. Sept. 28, 1895	28
53.0	7.5	0.8	2.5				1.23	17.0		H.W.	T. March 31, 1899	29
56.0	7.5	0.7	1.7				1.00				B. Nov. 10, '98; X.	29
54.0	8.0							24.0	6.0	H.W.	B. May 12, 1904	30
54.2	2.4	1.7	4.2	C	48.4	1 1/2" O	3.60	45.5		H.W.	N. Sept. 10, 1904	31
54.3	10.5	2.5					1.37	32.0		Ry.	N. August 6, 1904	32
54.6	5.5	0.9	3.0				1.12	48.0		H.W.	X.	33
55.0	10.0						.63	40.0	8.0	H.W.	B. Dec. 6, 1900	34
50.5	9.0						.66					
55.0	3.0	2.0					2.40	30.0		H.W.	N. Sept. 10, 1904	35
55.8	3.7	0.8						19.7		H.W.	G. 1st Tri., 1904	36
56.7	5.9	1.0						32.8		H.W.	G. 1st Tri., 1904	37
57.6	10.7	1.9	2.2	3C?	32.8			21.3		H.W.	Öst. Monat. Baud'zt	38
58.7	6.0	1.0	3.2				1.02	40.0		H.W.	X.	39
60.0	15.5	0.9		3C	48.0		1.40	32.0		H.W.	X.	40
61.2	12.0	1.0	3.6				1.02	83.3		H.W.	X.	41

† About. ‡ J—Johnson bars. O—Round bars.
 tre to centre. 23. Nineteen 7" 15-lb. I beams; 36" centre to centre. 24. Arches vary in span but all same type. 25. 41.25-lb. rails; 2' centre to centre. 27. Melan type. 28. Fou, 4" x 4" x 1/2" angles; 22 1/2" centre to centre. 29. Five 7" 15-lb. I beams; 36" centre to centre; five 5" 9.75-lb. I beams; 36" centre to centre. 30. 4"-6" channels; 1.0' centre to centre. 31. Ce R. R. of N. J., two tracks. 32. Sixteen 7" 15-lb. I beams; 36" centre to centre. 33. Thacher type. 34. See No. 31. 35. Wülich type. 36. Monier type. 37. Melan type; 38. Melan type; four I beams. 39. Sixteen 7" 15-lb. I beams; 36" centre to centre. 40. Eleven 8" 18-lb. I beams; 36" centre to centre. 41. Twenty-one 7" 15-lb. I beams 36" centre to centre; two elevated tracks.

TABLE II.—DATA FOR ABOUT 500 ARCH BRIDGES
REINFORCED CON

Number.	Name.	Place.	Over.	Date.	Engineer.	No. of Spans.
42		Troy, N. Y., U.S.A.	Wynant's Kill	1897	Kenney	1
43		Route Ebhausen, Wurtemberg		1891		1
44		Vigneux, France		1900		1
45		Italy	Dora R.	1902		2
46	Herkimer Viad.	Herkimer, N. Y., U.S.A.	W. Canada Crk.	1902-3	Osborn E. Co.	3
47		Jacksonville, Fla., U.S.A.	McCoy's C. & R.R.	1903-4		7
48		Auch, France	Gers R.	1899		11
49		Military Road, San Juan, Ponce, Porto Rico	Guayo R.	1900-01	Thacher	1
50	Bloomfield Ave.	Newark, N. J., U.S.A.	Park drive	1904	Reynolds	3
51		Cincinnati, Ohio, U.S.A.	Park drive	1894-95	M. A. C. Co.	1
52		Trinidad, Col., U.S.A.	Purgatorie R.	1905	Hibbard	2
53		Copenhagen, Denmark	Railway	1879		1
54		Route Painpardu, Belgium		1899		1
55		La Salle, Ill., U.S.A.	Gorge	1905	Strauss	1
56	Cedar R.	Waterloo, Ia., U.S.A.	Cedar R.	1902-3	Z	7
57	Meridian St.	Indianapolis, Ind., U.S.A.	Fall Creek	1900	Jeup	3
58	Illinois St.	Indianapolis, Ind., U.S.A.	Fall Creek	1900	Jeup	3
59	Wealthy Ave.	Grand Rapids, Mich., U.S.A.	Grand R.	190	Anderson	1
60		Wabash, Ind., U.S.A.	Creek	1905		2
61	Hamilton St.	Hartford, Conn., U.S.A.	Park R.	1898	M. A. C. Co.	1
62		Hyde Park, N. Y., U.S.A.	Crum Elbow C.	1897	M. A. C. Co.	1
63		Polasky, Cal., U.S.A.	S. Joaquin R.	1905	Leonard	10
64		Route Bade, Austria		1900		1
65	Rock Creek	Washington, D. C., U.S.A.	Rock Creek	1901-1	Beach	1
66	Soissons	Soissons, France	L'Aisne	1902	Riboud	1
67		Halder	Lenne R.	1904		1
68	De l'Empereur	Sarajero, Bosnie		1897		1
69	Fabiano Viad.	Italy		1905		2
70		Rt. Payerbach, Austria		1900		2
71	Seeley St	Brooklyn, N. Y., U.S.A.	Prospect Ave.	1903-4	Foot	1
72		Austria	Bialka R.?	1894		1
73		Gr'd Rapids, Mich., U.S.A.	Grand R.	1903-4	Anderson	1
74	Main St.	Dayton, Ohio, U.S.A.	Great Miami R.	1902-3	Turner	2
75	West St.	Paterson, N. J., U.S.A.	Passaic R.	1897-8	M. A. C. Co.	7
76		Yorktown, Ind., U.S.A.	Stream	1905?	Luten	1
77		Papigus, Italy	Nera R.			2
78	N. Sixth Ave.	Des Moines, Ia., U.S.A.	Des Moines R.	1901-2?	Z	3

* Maximum.

REMARKS.—42. Nine 8" 18-lb. I beams; 36" centre to centre. 43. Monier type. 44. Piketty type. 45. Hennebique type. 46. U. & M. V. Ry. Two tracks. 47. Melan ribs and Thacher bars. 48. Bonna type. 49. Thacher type. 50. Melan type. Two E. Ry. tracks. 51. Eleven 9" 21-lb. I beams; 36" centre to centre. 52. Five 18.8 lb. (per foot) rails. 53. Hennebique type. 54. Two ribs. In Deer Park. 55. Thacher type. 56. Thacher type. 57. 10" 25-lb. I beams; 36" centre to centre. 58. 10" 25-lb. I beams; 36" centre to centre. 59. Kahn

ARRANGED ACCORDING TO SPAN—(Continued).

CRETE ARCHES.

Span.	Rise.	Thickness at Crown.	At Springing.	Curve.	Radius R at Crown.	Kind of Steel.	Per Cent Steel at the Crown.	Width, Face to Face at Crown.	Thickness of Piers at Springing.	Class of Bridge.	Reference.	Number.
65.0	8.5	1.0					1.23	27.0		H.W.	X.	42
65.6	8.2	0.7					†13.1			H.W.	G. 1st Tri., 1904	43
65.6	14.8	1.6					†13.1			H.W.	G. 1st Tri., 1904	44
65.6	6.6						†46.6			H.W.	G. 1st Tri., 1904	45
66.0	14.0	1.8	4.5		46.5	1½" T‡	.96		8.0	E. Ry.	N. Feb. 22, 1903, p. 240	46
62.0	12.0	1.8	4.5		46.0		-.96					
*68.0	7.0	1.5						52.0	†7.0	H.W. & E. Ry.	T. July 3, 1903, p. 428	47
68.9	6.6	1.0								H.W.	G. 1st Tri., 1904	48
70.0	2-7.0							20.0		H.W.	N. Aug. 3, 1901, p. 98	49
70.0	1-7.5											
70.0	8.5						†.80	†65.0		H.W.	N. Aug. 12, 1905, p. 32.5	50
70.0	10.0	1.3	4.0	C	106.3			32.5		H.W.	M. A. C. Co., B. Oct. 3, 1895	51
70.0	7.0	1.2	3.0	3C		1½" T	2.67	†65.0	7.0	H.W.	N. Feb. 10, 1906	52
71.7	8.5	0.9	1.2	3C	77.2					Foot-bridge	B. July 21, 1898	53
71.8	9.2	1.3						†30.4		H.W.	G. 1st Tri., 1904	54
72.0	7.5	†2.0	†2.0			1" X 1" T‡		†5.0		Foot-bridge	B. Sept. 21, 1905	55
72.0	7.2	1.2	2.7			2½" X ½"		†46.0		H.W.	N. Feb. 13, 1904	56
74.0	9.5	1.3	1.8	3C			1.3	†70.0	8.0	H.W.	B. April 11, 1901	57
74.0	9.5	1.3	1.8	3C			1.3	†60.0	8.0	H.W.	B. April 11, 1901	58
75.0	14.0			3C				†39.0		H.W.	B. Mar. 22, 1906, p. 321	59
75.0	18.0	1.5	3.3	Par		1½" X 1½"		†32.0		H.W.	B. Mar. 15, 1906	60
75.0	7.5	1.3	4.5			1" X 3"					N. Dec. 2, 1905	61
75.0	14.7	1.3	†1.9	5C	97.5		1.17	40.3		H.W.	X.	62
75.0	†11.0	1.5			62.5	½" J	.60	30.0		H.W.	X.	63
77.4	7.7						1.12	19.5	5.0	H.W.	N. Feb. 24, 1906	64
80.0	15.0	1.5						†39.4		H.W.	G. 1st Tri., 1904	65
80.7	7.9	1.0	9.0			O	.90	27.0		H.W.	B. Aug. 14, 1902	66
80.7	7.9	1.0						45.9	4.9	H.W. & Ry.	G. 1st Tri., 1904	66
80.3	8.2	1.0	9.0								G. 3d Tri., 1903, p. 47	
79.6	7.9	1.0	9.0									
82.0		1.6	2.2							H.W.	G. 4th Tri., 1905, p. 295	67
60.7		1.6	1.6									
83.2	8.3	1.0	†9.0					†37.6		H.W.	G. 1st Tri., 1904	68
84.9	26.9	2.0	3.3					†32.0		H.W.	N. Dec. 0, 1905, p. 645	69
30.2	13.1											
85.3	5.9	1.5	4.8					†18.0		H.W.	G. 1st Tri., 1904	70
85.3	8.5	†3.5	†10.0			1½" J	†.76	53.1		H.W.	B. Dec. 31, 1903	71
86.3	20.6	1.1	†1.5							H.W.	G. 1st Tri., 1904	72
87.0						1½" T		64.3	9.0	H.W.	B. Dec. 1, 1904, p. 489	73
83.0	8.0	1.6	2.8				1.16					
79.0	11.0	1.5	3.0				1.22					
*88.0								54.0	8.8	H.W.	B. May 19, 1904	74
89.0	9.5	1.3	5.5				1.37	50.8	8.5	H.W.	X.	75
88.5	9.5	1.3	5.5				1.37				B. March 16, 1890	
95.0	11.1					½" O		†18.0			B. May 11, 1905	76
95.2		2.3	3.3								G. 4th Tri., 1905	77
100.0	27.7	1.8	4.0		68.8			42.7	10.0	H.W.	Cement, July, 1902	78
	31.0	1.9	4.2		70.2							
	20.0	1.9	4.3		93.6							

† About. ‡ T=Thacher bars. O=Round bars. J=Johnson bars.

bars. 61. Seventeen 9" 21-lb. I beams; 36" centre to centre. 62. Seven 9" 18-lb. I beams, centre to centre. 63. Spandrel wall tied to ring. 64. Hennebique type. 65. Four 3" X 3" X 6-lb. angles; 33" centre to centre. 66. Hennebique type. 67. Large arch has three "hinges." 68. Wunch type. 69. Total length = 354'. 70. Melan type. 71. Skew. 72. Moniertype. 73. Four angles, 2½" X 2½" X 1". 36" centre to centre. 75. Seventeen 10" 25-lb. I beams. 35½" centre to centre. 77. Five ribs; four angles latticed. 78. Melan type; four angles latticed.

TABLE II.—DATA FOR ABOUT 500 ARCH BRIDGES
REINFORCED CON

Number.	Name.	Place.	Over.	Date.	Engineer.	No. of Spans.
79	Icy Glen	Stockbridge, Mass., U.S.A.	Housatonic R.	1895	M. A. C. Co.	1
80	François-Joseph	Buda-Pesth (?), Austria-Hungary	Danube R. ?	1900		1
81		Laibach, Austria	Laibach R.	1900-1	Melan	1
82	Green Island	Niagara Falls, N.Y., U.S.A.	Niagara R.	1900-1	Buck (Con.) Waldo (State)	1 1
83	Third Street	Dayton, Ohio, U.S.A.	Great Miami R.	1904-	Turner	2 2 2 2
84	Wayne St.	Peru, Ind., U.S.A.	Wabash R.	1905	Luten	1 2 2 2 2 2
85		Portugal	Pena R.	1901		2
86	Lake Park	Milwaukee, Wis., U.S.A.	Ravine	1905	Turneaure	5
87		Yellowstone Nat. Park, U.S.A.	Yellowstone R.	1903	Chittenden	1
88	Jacaquas R.	Military Road, San Juan-Ponce, Porto Rico	Jacaquas R.	1900-1	Jackson	1
89	Washington Ave., So.	Lansing, Mich., U.S.A.	Grand R.	1902	Collar	2
90	Y-Bridge	Zanesville, Ohio, U.S.A.	Muskingum R.	1900-2	Landor	1 4 3
91		Route Wildegg, Switz		1890		1
92	Kansas Ave.	Topeka, Kan., U.S.A.	Kansas R.	1896-98	M. A. C. Co.	1 1
93	Park Ave.	Newark, N. J., U.S.A.	Park	1905	Reynolds	2
94	Schwimmschulbrücke	Steyr	Stream	1897†		1
95		Playa-del-Rey, Cal., U.S.A.		1906	De Palo	1
96		Route Waidhofen, Austria				1
97	St. Pierre Hollow	Schenley Park, Pittsburg, Penn., U.S.A.	St. Pierre Hollow	Proposed	Keepers and Thacher	1 1
98		Chatellerault, France	Vienne R.	1900		1
99		Route Bormida, Italy		1902		1
100		Decize, France	Loire R.			1
101	Gruenwald	Munich, Bavaria	Isar R.	1904	Mörsch	2

* Maximum.

REMARKS.—79. Four 7" 15-lb. I beams; 28" centre to centre. 80. Three "hinges." Lattice ribs. 81. Three "hinges." Fourteen lattice ribs. 83. Four angles, 2½" × 2½" × ¼". 34" centre to centre. 85. Hennebique type. 87. Four 2½" × 3" × ¼" angles; 30" centre to centre. 88. Thacher type. 89. Melan type. 90. Thacher type. In plan, Y-shaped.

ANGED ACCORDING TO SPAN—(Continued).

CE ARCHES.

Rise.	Thickness at Crown.	At Springing.	Curve.	Radius R at Crown.	Kind of Steel.	Per Cent Steel at the Crown.	Width, Face to Face at Crown.	Thickness of Piers at Springing.	Class of Bridge.	Reference.	Number.
10.0	0.8	2.5				2.30	7.5		Foot-bridge	X. B. Nov. 7, '95	79
14.4	1.6	†2.2				†45.9			H.W.	G. 1st Tri., 1904	80
14.6	1.7			123.0	6"×1"	†50.0			H.W.	B. July 16, 1903	81
11.5	3.2	5.9				.63	40.0	13.5	H.W.	B. Dec. 6, 1900 N. Feb. 16, 1901, p. 146	82
10.0	3.3	6.3				.66	†62.0				
14.3						.69		11.0	H.W.	T. Mar. 4, 1904, p. 154	83
13.3	2.1					.69		10.0			
11.3	2.1					.91		9.0	H.W.	B. Mar. 29, 1906, p. 347	84
9.7	1.6				‡O‡		32?				
14.4					"×3"K		11.8		Tramway	G. 1st Tri., 1904	85
18.0	5.0	5.0				†1.39	14.0		H.W.	N. Nov. 25, 1905	86
15.0	2.0	4.0					17.5		H.W.	B. Jan. 14, 1904, p. 25	87
12.0	2.3		3C	226.0	4"×1"	.63	20.0	12.0	H.W.	N. Aug. 3, 1901 B. Aug. 1, 1901, p. 66	88
11.3	1.9			167.2		.80			H.W.	Cement, Mar. 1902	89
14.5	2.5				3" & 5" × 1/4"		54.0		H.W.	N. Mar. 1, 1902, p. 194	90
11.5	1.5						43.0		H.W.		
10.9											
6.3											
11.4	0.6	†0.8					†12.8		H.W.	G. 1st Tri., 1904	91
18.9	1.8	6.0				1.58	36.0		H.W.	M. A. C. Co. B. April 2, 1896	92
16.3	1.8	6.0				1.58					
14.6	1.7	5.0				1.73					
16.2							†72.0		H.W.	N. Aug. 12, 1905	93
9.4	2.0	2.3					19.7		H.W.	Z. Oe. Ing. u. Arch. Ver., Dec. 23, '98	94
18.0	2.0				4 angles				H.W.	N. Mar. 31, 1906	95
20.8	2.0	8.0				.94	84.0		H.W.	G. 1st Tri., 1904 K. & T. Blues	96 97
15.8	1.8	†3.0							H.W.	G. 1st Tri., 1904	98
13.2	1.4	†2.6					†19.0				
16.7	1.9								H.W.	B. April 10, 1902	99
15.3	1.6								H.W.	G. 4th Tri., 1905	100
42.0	2.5	2.5			1.1" O	.19	34.4 26.3		H.W.	B. Feb. 20, 1905	101

† About.

‡ O = Round bars.

K = Khan bars.

lonier type. 92. Four angles, 3"×3"×7.2 lbs. Twelve ribs. 93. Four angles
"×1/4"; 36" centre to centre. Thacher bars. 94. Melan type. 95. Foot-bridge
lonier type. 97. Twenty-seven ribs. Four angles, 3"×3"×7.2 lbs. 98. Hennebique
101. Three steel "hinges."

KEY TO REFERENCES.

Symbol.	Name of Periodical or Book, etc.	Address.
A	Civil Engineers' and Architects' Journal . . .	
B	Engineering News and Am. Ry. Journal. . .	New York City, U. S. A.
C	Weale's Bridges.	
D	Penn. Ry. Co.'s Blues.	Philadelphia, Pa., U. S. A.
E	Wm. H. Brown, Ch. Eng'r Penn. Ry. Co. . .	Philadelphia, Pa., U. S. A.
F	Construction des Viaducs, Tony Fontenay. .	Paris, France.
G	Annales des Ponts et Chausses.	Paris, France.
H	Mahan's Civil Engineering.	John Wiley & Sons, New York City, U. S. A.
I	Masonry Construction by Baker.	John Wiley & Sons, New York City, U. S. A.
J	Spon's Dictionary of Engineering.	
K	Engineering.	London, England.
L	Edinburgh Encyclopædia, 9th ed.	
M	Scientific American Supplement.	New York City, U. S. A.
N	Engineering Record.	New York City, U. S. A.
O	Engineering Magazine.	New York City, U. S. A.
P	Journal of the Association of Engineering Societies.	
Q	Encyclopædia Britannica, 9th ed.	
R	Railway and Engineering Journal.	New York City, U. S. A.
S	Cresy' Bridges.	John Wiley & Sons, New York City, U. S. A.
T	Railway Gazette.	New York City, U. S. A.
U	Murray's Handbook of Northern Italy. . . .	
V	Le Genie Civil.	Paris, France.
W	Messrs. Keepers & Thacher	Paterson, N. J., U. S. A.
X	The Melan Arch Construction Co.	New York City, U. S. A.
Y	Transactions of Am. Soc. C. E.	New York City, U. S. A.
Z	Concrete-steel Engineering Co.	New York City, U. S. A.

INDEX.

	PAGE
Abutments, Albula Railway.	49
thickness of.	47
Albula Railway, bridge dimensions.	49
Arch axis, subdivision of.	54, 88
Arch bridges, typical.	119
Arch ring, with constant Δ	29
depth at support.	46
depth at crown.	43
fixed, general formulas.	9
Austrian specifications.	45
Axial stress, change in coördinates.	5
constant Δ	32
Example 1.	81
Example 2.	110
horizontal thrust, H_a	24
vertical loads.	23
Baker, thickness of abutments.	47
Bellefield bridge.	120
Bending moment, taken entirely by steel.	36, 110
Concrete, coefficient of expansion.	132
in compression.	36, 37
in tension.	37
physical properties.	131
plain.	35, 41
reinforced.	35, 42
Coördinates x and y	3, 5
Croizette-Desnoyer's formulas.	46
Dead load computations.	65
Decimals, number.	55
Dejardin's formulas.	44, 45
Distortion, angular, produced by bending.	1
Elasticity, modulus.	7, 8, 34, 36

	PAGE
Elastic theory, reliability.	37, 42
Empirical formulas, remarks.	48
Equilibrium polygon, following arch axis.	51
dead load, Example 2.	96
Example, first.	53
second.	88
third.	111
Fiber stresses, concrete ribs.	35
dead and live loads, Example 1.	76
Example 2.	102, 103, 105, 106, 107
final in Example 1.	83
general formulas.	33
maximum, Example 2.	108, 109
polygon outside middle third.	34
reinforced concrete.	36
stone ribs.	34
temperature changes, Example 1.	80
Fill, above key, railroad bridges.	53
weight.	133
Formulas, general.	7, 8, 15, 26
general, constant d	30, 31
German practice, depth of key.	45
Granite, physical properties.	129
Horizontal loads, constant d , general formulas.	31
general formulas.	26
horizontal thrust.	11
moments M_x	27
symmetrical.	28
Horizontal thrust, axial stress.	24
constant d , vertical loads.	20
horizontal loads.	31
dead load, Example 1.	67
Example 2.	96
general formulas.	10
horizontal loads.	11
live load, Example 1.	69
temperature changes.	12
unit loads, Example 1.	56
Example 2.	89
Example 3.	111
vertical loads, general formulas.	11
Keystone, Albula Railway.	49
depth of, Example 1.	65
depth.	43
empirical formulas.	43, 44, 45, 46

	PAGE
Limestone, physical properties.	130
Live load, distribution.	53
Luxemburg bridge.	121
m_1 , graphical representation.	17, 18
M_1 , live load, Example 1.	69
unit loads, Example 1.	60
Example 2.	89
Example 3.	113
m_x , graphical determination.	14
M_x , graphical representation.	27
Marble, physical properties.	131
Maximum moments, crown, live load, Example 1.	70
graphical determination, Example 1.	75
live load, Example 1.	68
point O , live load, Example 1.	69
point O' , live load, Example 1.	73
Moment M_1 , general.	12, 14
vertical loads.	20, 21
Moment, maximum M_x , vertical loads.	22, 23
Neutral axis.	34, 26
Pence, coefficient of expansion.	131
Peronnet's formulas.	44
Piers, Albula Railway.	49
thickness.	48
Rankine's formulas.	44, 47
Reinforcement, steel, area.	124
steel-ribs.	123
steel-rods, etc.	124
Reliability, elastic theory.	41
Rockville bridge.	120
Sandstone, physical properties.	130
Second example, data.	88
Shear T_x	25, 32, 33, 87
Spandrel filling.	50
horizontal thrust.	50
uniform weight.	85
weight.	50
Spandrel masonry.	38, 39, 40
weight.	50
walls.	119
Specifications, abstracts.	125
Stone, physical properties.	129
Σx , computation.	60
Table I, physical properties of stone, etc.	129
Table II arch data.	134

	PAGE
Temperature.....	6, 31, 35, 39, 40, 41
horizontal thrust.....	12
range.....	118
reinforced concrete.....	42
stresses, Example 1.....	79
Example 2.....	106
Thacher, properties of concrete.....	131
Thebes bridge.....	121
Third example.....	111
Track, weight.....	54
Trautwine's formulas.....	44, 47
Unit loads, values of V_1 , y_1 , y_2 , etc.....	96, 97
Vermillion River bridge.....	123
Vertical loads, constant A , general formulas.....	30
general formulas.....	15
horizontal thrust.....	11
M_1 , graphically.....	17, 18
M_2 , graphically.....	16
V_1 , live load, Example 1.....	69
unit loads, Example 1.....	60, 69
Example 2.....	97
y_1 , y_2 , etc., unit loads, Example 1.....	60, 65, 97

SHORT-TITLE CATALOGUE

OF THE

PUBLICATIONS

OF

JOHN WILEY & SONS,

NEW YORK.

LONDON: CHAPMAN & HALL, LIMITED.

ARRANGED UNDER SUBJECTS.

Descriptive circulars sent on application. Books marked with an asterisk (*) are sold at *net* prices only, a double asterisk (**) books sold under the rules of the American Publishers' Association at *net* prices subject to an extra charge for postage. All books are bound in cloth unless otherwise stated.

AGRICULTURE.

Armsby's Manual of Cattle-feeding.	12mo, \$1 75
Principles of Animal Nutrition.	8vo, 4 00
Budd and Hansen's American Horticultural Manual:	
Part I. Propagation, Culture, and Improvement.	12mo, 1 50
Part II. Systematic Pomology.	12mo, 1 50
Downing's Fruits and Fruit-trees of America.	8vo, 5 00
Elliott's Engineering for Land Drainage.	12mo, 1 50
Practical Farm Drainage.	12mo, 1 00
Green's Principles of American Forestry.	12mo, 1 50
Grotenfelt's Principles of Modern Dairy Practice. (Woll.)	12mo, 2 00
Kemp's Landscape Gardening.	12mo, 2 50
Maynard's Landscape Gardening as Applied to Home Decoration.	12mo, 1 50
* McKay and Larsen's Principles and Practice of Butter-making.	8vo, 1 50
Sanderson's Insects Injurious to Staple Crops.	12mo, 1 50
Insects Injurious to Garden Crops. (In preparation.)	
Insects Injuring Fruits. (In preparation.)	
Stockbridge's Rocks and Soils.	8vo, 2 50
Winton's Microscopy of Vegetable Foods.	8vo, 7 50
Woll's Handbook for Farmers and Dairymen.	16mo, 1 50

ARCHITECTURE.

Baldwin's Steam Heating for Buildings.	12mo, 2 50
Bashore's Sanitation of a Country House.	12mo, 1 00
Berg's Buildings and Structures of American Railroads.	4to, 5 00
Birkmire's Planning and Construction of American Theatres.	8vo, 3 00
Architectural Iron and Steel.	8vo, 3 50
Compound Riveted Girders as Applied in Buildings.	8vo, 2 00
Planning and Construction of High Office Buildings.	8vo, 3 50
Skeleton Construction in Buildings.	8vo, 3 00
Brigg's Modern American School Buildings.	8vo, 4 00
Carpenter's Heating and Ventilating of Buildings.	8vo, 4 00
Freitag's Architectural Engineering.	8vo, 3 50
Fireproofing of Steel Buildings.	8vo, 2 50
French and Ives's Stereotomy.	8vo, 2 50

Gerhard's Guide to Sanitary House-inspection.	16mo,	1 00
Theatre Fires and Panics.	12mo,	1 50
*Greene's Structural Mechanics	8vo,	2 50
Holly's Carpenters' and Joiners' Handbook.	18mo,	75
Johnson's Statics by Algebraic and Graphic Methods.	8vo,	2 00
Kidder's Architects' and Builders' Pocket-book. Rewritten Edition. 16mo, mor.		5 00
Merrill's Stones for Building and Decoration.	8vo,	5 00
Non-metallic Minerals: Their Occurrence and Uses.	8vo,	4 00
Monckton's Stair-building.	4to,	4 00
Patton's Practical Treatise on Foundations.	8vo,	5 00
Peabody's Naval Architecture.	8vo,	7 50
Rice's Concrete-block Manufacture	8vo,	2 00
Richey's Handbook for Superintendents of Construction	16mo, mor.	4 00
Sabin's Industrial and Artistic Technology of Paints and Varnish.	8vo,	3 00
Siebert and Biggin's Modern Stone-cutting and Masonry.	8vo,	1 50
Snow's Principal Species of Wood.	8vo,	3 50
Sondericker's Graphic Statics with Applications to Trusses, Beams, and Arches.	8vo,	2 00
Towne's Locks and Builders' Hardware.	18mo, morocco,	3 00
Wait's Engineering and Architectural Jurisprudence	8vo,	6 00
Sheep,		6 50
Law of Operations Preliminary to Construction in Engineering and Architecture.	8vo,	5 00
Sheep,		5 50
Law of Contracts.	8vo,	3 00
Wood's Rustless Coatings: Corrosion and Electrolysis of Iron and Steel. 8vo,		4 00
Worcester and Atkinson's Small Hospitals, Establishment and Maintenance, Suggestions for Hospital Architecture, with Plans for a Small Hospital.	12mo,	1 25
The World's Columbian Exposition of 1893.	Large 4to,	1 00

ARMY AND NAVY.

Bernadou's Smokeless Powder, Nitro-cellulose, and the Theory of the Cellulose Molecule.	12mo,	2 50
* Bruff's Text-book Ordnance and Gunnery	8vo,	6 00
Chase's Screw Propellers and Marine Propulsion.	8vo,	3 00
Cloke's Gunner's Examiner.	8vo,	1 50
Craig's Azimuth.	4to,	3 50
Crehore and Squier's Polarizing Photo-chronograph.	8vo,	3 00
* Davis's Elements of Law.	8vo,	2 50
* Treatise on the Military Law of United States.	8vo,	7 00
Sheep,		7 50
De Brack's Cavalry Outposts Duties. (Carr.)	24mo, morocco,	2 00
Dietz's Soldier's First Aid Handbook.	16mo, morocco,	1 25
* Dredge's Modern French Artillery.	4to, half morocco,	15 00
Durand's Resistance and Propulsion of Ships.	8vo,	5 00
* Dyer's Handbook of Light Artillery.	12mo,	3 00
Eissler's Modern High Explosives.	8vo,	4 00
* Fieberger's Text-book on Field Fortification.	Small 8vo,	2 00
Hamilton's The Gunner's Catechism	18mo,	1 00
* Hoff's Elementary Naval Tactics.	8vo,	1 50
Ingalls's Handbook of Problems in Direct Fire.	8vo,	4 00
* Ballistic Tables.	8vo,	1 50
* Lyons's Treatise on Electromagnetic Phenomena. Vols. I. and II. 8vo, each.		6 00
* Mahan's Permanent Fortifications. (Mercur.)	8vo, half morocco,	7 50
Manual for Courts-martial.	16mo, morocco,	1 50
* Mercur's Attack of Fortified Places.	12mo,	2 00
* Elements of the Art of War.	8vo,	4 00

Metcalf's Cost of Manufactures—And the Administration of Workshops.	8vo,	5 00
* Ordnance and Gunnery. 2 vols.	12mo,	5 00
Murray's Infantry Drill Regulations.	18mo, paper,	10
Nixon's Adjutants' Manual.	24mo,	1 00
Peabody's Naval Architecture.	8vo,	7 50
* Phelps's Practical Marine Surveying.	8vo,	2 50
Powell's Army Officer's Examiner.	12mo,	4 00
Sharpe's Art of Subsisting Armies in War.	18mo, morocco,	1 50
* Tupes and Poole's Manual of Bayonet Exercises and Musketry Fencing.	24mo, leather,	50
* Walke's Lectures on Explosives.	8vo,	4 00
* Wheeler's Siege Operations and Military Mining.	8vo,	2 00
Winthrop's Abridgment of Military Law.	12mo,	2 50
Woodhull's Notes on Military Hygiene.	16mo,	1 50
Young's Simple Elements of Navigation.	16mo, morocco,	2 00

ASSAYING.

Fletcher's Practical Instructions in Quantitative Assaying with the Blowpipe.	12mo, morocco,	1 50
Furman's Manual of Practical Assaying.	8vo,	3 00
Lodge's Notes on Assaying and Metallurgical Laboratory Experiments.	8vo,	3 00
Low's Technical Methods of Ore Analysis.	8vo,	3 00
Miller's Manual of Assaying.	12mo,	1 00
Minet's Production of Aluminum and its Industrial Use. (Waldo.)	12mo,	2 50
O'Driscoll's Notes on the Treatment of Gold Ores.	8vo,	2 00
Ricketts and Miller's Notes on Assaying.	8vo,	3 00
Robine and Lenglen's Cyanide Industry. (Le Clerc.)	8vo,	4 00
Ulke's Modern Electrolytic Copper Refining.	8vo,	3 00
Wilson's Cyanide Processes.	12mo,	1 50
Chlorination Process.	12mo,	1 50

ASTRONOMY.

Comstock's Field Astronomy for Engineers.	8vo,	2 50
Craig's Azimuth.	4to,	3 50
Doolittle's Treatise on Practical Astronomy.	8vo,	4 00
Gore's Elements of Geodesy.	8vo,	2 50
Hayford's Text-book of Geodetic Astronomy.	8vo,	3 00
Merriman's Elements of Precise Surveying and Geodesy.	8vo,	2 50
* Michie and Harlow's Practical Astronomy.	8vo,	3 00
* White's Elements of Theoretical and Descriptive Astronomy.	12mo,	2 00

BOTANY.

Davenport's Statistical Methods, with Special Reference to Biological Variation.	16mo, morocco,	1 25
Thomé and Bennett's Structural and Physiological Botany.	16mo,	2 25
Westermaier's Compendium of General Botany. (Schneider.)	8vo,	2 00

CHEMISTRY.

Adriance's Laboratory Calculations and Specific Gravity Tables.	12mo,	1 25
Allen's Tables for Iron Analysis.	8vo,	3 00
Arnold's Compendium of Chemistry. (Mandel.)	Small 8vo,	3 50
Austen's Notes for Chemical Students.	12mo,	1 50
Bernadou's Smokeless Powder.—Nitro-cellulose, and Theory of the Cellulose Molecule.	12mo,	2 50
* Browning's Introduction to the Rarer Elements.	8vo,	1 50

Brush and Penfield's Manual of Determinative Mineralogy.	1vo,	4 00
Classen's Quantitative Chemical Analysis by Electrolysis. (Boltwood.)	, 8vo,	3 00
Cohn's Indicators and Test-papers.	12mo,	2 00
Tests and Reagents.	8vo,	3 00
Crafts's Short Course in Qualitative Chemical Analysis. (Schaeffer.)	12mo,	1 50
Dolezalek's Theory of the Lead Accumulator (Storage Battery). (Von Ende.)	12mo,	2 50
Drechsel's Chemical Reactions. (Merrill.)	12mo,	1 25
Duhem's Thermodynamics and Chemistry. (Burgess.)	8vo,	4 00
Eissler's Modern High Explosives.	8vo,	4 00
Effront's Enzymes and their Applications. (Prescott.)	8vo,	3 00
Erdmann's Introduction to Chemical Preparations. (Dunlap.)	12mo,	1 25
Fletcher's Practical Instructions in Quantitative Assaying with the Blowpipe.	12mo, morocco,	1 50
Fowler's Sewage Works Analyses.	12mo,	2 00
Fresenius's Manual of Qualitative Chemical Analysis. (Wells.)	8vo,	5 00
Manual of Qualitative Chemical Analysis. Part I. Descriptive. (Wells.)	8vo,	3 00
System of Instruction in Quantitative Chemical Analysis. (Cohn.)	2 vols.	8vo, 12 50
Fuertes's Water and Public Health.	12mo,	1 50
Furman's Manual of Practical Assaying.	8vo,	3 00
* Getman's Exercises in Physical Chemistry.	12mo,	2 00
Gill's Gas and Fuel Analysis for Engineers.	12mo,	1 25
Grotenfelt's Principles of Modern Dairy Practice. (Woll.)	12mo,	2 00
Groth's Introduction to Chemical Crystallography (Marshall)	12mo,	1 25
Hammarsten's Text-book of Physiological Chemistry. (Mandel.)	8vo,	4 00
Helm's Principles of Mathematical Chemistry. (Morgan.)	12mo,	1 50
Hering's Ready Reference Tables (Conversion Factors).	16mo, morocco,	2 50
Hind's Inorganic Chemistry.	8vo,	3 00
* Laboratory Manual for Students.	12mo,	1 00
Holleman's Text-book of Inorganic Chemistry. (Cooper.)	8vo,	2 50
Text-book of Organic Chemistry. (Walker and Mott.)	8vo,	2 50
* Laboratory Manual of Organic Chemistry. (Walker.)	12mo,	1 00
Hopkins's Oil-chemists' Handbook.	8vo,	3 00
Jackson's Directions for Laboratory Work in Physiological Chemistry.	8vo,	1 25
Keep's Cast Iron.	8vo,	2 50
Ladd's Manual of Quantitative Chemical Analysis.	12mo,	1 00
Landauer's Spectrum Analysis. (Tingle.)	8vo,	3 00
* Langworthy and Austen. The Occurrence of Aluminium in Vegetable Products, Animal Products, and Natural Waters.	8vo,	2 00
Lassar-Cohn's Practical Urinary Analysis. (Lorenz.)	12mo,	1 00
Application of Some General Reactions to Investigations in Organic Chemistry. (Tingle.)	12mo,	1 00
Leach's The Inspection and Analysis of Food with Special Reference to State Control.	8vo,	7 50
Lob's Electrochemistry of Organic Compounds. (Lorenz.)	8vo,	3 00
Lodge's Notes on Assaying and Metallurgical Laboratory Experiments. ...	8vo,	3 00
Low's Technical Method of Ore Analysis.	8vo,	3 00
Lunge's Techno-chemical Analysis. (Cohn.)	12mo,	1 00
* McKay and Larsen's Principles and Practice of Butter-making.	8vo,	1 50
Mandel's Handbook for Bio-chemical Laboratory.	12mo,	1 50
* Martin's Laboratory Guide to Qualitative Analysis with the Blowpipe.	12mo,	60
Mason's Water-supply. (Considered Principally from a Sanitary Standpoint.)	3d Edition, Rewritten.	8vo, 4 00
Examination of Water. (Chemical and Bacteriological.)	12mo,	1 25
Matthew's The Textile Fibres.	8vo,	3 50
Meyer's Determination of Radicles in Carbon Compounds. (Tingle.)	12mo,	1 00
Miller's Manual of Assaying.	12mo,	1 00
Minet's Production of Aluminum and its Industrial Use. (Waldo.)	12mo,	2 50
Mixter's Elementary Text-book of Chemistry.	12mo,	1 50

CIVIL ENGINEERING.

BRIDGES AND ROOFS. HYDRAULICS. MATERIALS OF ENGINEERING. RAILWAY ENGINEERING.

Baker's Engineers' Surveying Instruments.	12mo, 3 00
Bixby's Graphical Computing Table. Paper 19½ × 24½ inches.	25
** Burr's Ancient and Modern Engineering and the Isthmian Canal. (Postage, 27 cents additional.)	8vo, 3 50
Comstock's Field Astronomy for Engineers.	8vo, 2 50
Davis's Elevation and Stadia Tables.	8vo, 1 00
Elliott's Engineering for Land Drainage.	12mo, 1 50
Practical Farm Drainage.	12mo, 1 00
* Fieberger's Treatise on Civil Engineering.	8vo, 5 00
Flemer's Phototopographic Methods and Instruments.	8vo, 5 00
Folwell's Sewerage. (Designing and Maintenance.)	8vo, 3 00
Freitag's Architectural Engineering. 2d Edition, Rewritten.	8vo, 3 50
French and Ives's Stereotomy.	8vo, 2 50
Goodhue's Municipal Improvements.	12mo, 1 75
Goodrich's Economic Disposal of Towns' Refuse.	8vo, 3 50
Gore's Elements of Geodesy.	8vo, 2 50
Hayford's Text-book of Geodetic Astronomy.	8vo, 3 00
Hering's Ready Reference Tables (Conversion Factors).	16mo, morocco, 2 50
Howe's Retaining Walls for Earth.	12mo, 1 25
* Ives's Adjustments of the Engineer's Transit and Level.	16mo, Bds, 25
Johnson's (J. B.) Theory and Practice of Surveying.	Small 8vo, 4 00
Johnson's (L. J.) Statics by Algebraic and Graphic Methods.	8vo, 2 00
Laplace's Philosophical Essay on Probabilities. (Truscott and Emory.)	12mo, 2 00
Mahan's Treatise on Civil Engineering. (1873.) (Wood.)	8vo, 5 00
* Descriptive Geometry.	8vo, 1 50
Merriman's Elements of Precise Surveying and Geodesy.	8vo, 2 50
Merriman and Brooks's Handbook for Surveyors.	16mo, morocco, 2 00
Nugent's Plane Surveying.	8vo, 3 50
Ogden's Sewer Design.	12mo, 2 00
Parsons's Disposal of Municipal Refuse.	8vo, 2 00
Patton's Treatise on Civil Engineering.	8vo half leather, 7 50
Reed's Topographical Drawing and Sketching.	4to, 5 00
Rideal's Sewage and the Bacterial Purification of Sewage.	8vo, 3 50
Siebert and Biggin's Modern Stone-cutting and Masonry.	8vo, 1 50
Smith's Manual of Topographical Drawing. (McMillan.)	8vo, 2 50
Sondericker's Graphic Statics, with Applications to Trusses, Beams, and Arches.	8vo, 2 00
Taylor and Thompson's Treatise on Concrete, Plain and Reinforced.	8vo, 5 00
* Trautwine's Civil Engineer's Pocket-book.	16mo, morocco, 5 00
Venable's Garbage Crematories in America.	8vo, 2 00
Walt's Engineering and Architectural Jurisprudence.	8vo, 6 00
Law of Operations Preliminary to Construction in Engineering and Architecture.	8vo, 5 00
Law of Contracts.	Sheep, 5 50
Warren's Stereotomy—Problems in Stone-cutting.	8vo, 3 00
Webb's Problems in the Use and Adjustment of Engineering Instruments.	8vo, 2 50
Wilson's Topographic Surveying.	16mo, morocco, 1 25
Wilson's Topographic Surveying.	8vo, 3 50

BRIDGES AND ROOFS.

Boller's Practical Treatise on the Construction of Iron Highway Bridges.	8vo, 2 00
* Thames River Bridge.	4to, paper, 5 00

Burr's Course on the Stresses in Bridges and Roof Trusses, Arched Ribs, and Suspension Bridges.	8vo,	3 50
Burr and Falk's Influence Lines for Bridge and Roof Computations.	8vo,	3 00
Design and Construction of Metallic Bridges.	8vo,	5 00
Du Bois's Mechanics of Engineering. Vol. II.	Small 4to,	10 00
Foster's Treatise on Wooden Trestle Bridges.	4to,	5 00
Fowler's Ordinary Foundations.	8vo,	3 50
Greene's Roof Trusses.	8vo,	1 25
Bridge Trusses.	8vo,	2 50
Arches in Wood, Iron, and Stone.	8vo,	2 50
Howe's Treatise on Arches.	8vo,	4 00
Design of Simple Roof-trusses in Wood and Steel.	8vo,	2 00
Johnson, Bryan, and Turneure's Theory and Practice in the Designing of Modern Framed Structures.	Small 4to,	10 00
Merriman and Jacoby's Text-book on Roofs and Bridges:		
Part I. Stresses in Simple Trusses.	8vo,	2 50
Part II. Graphic Statics.	8vo,	2 50
Part III. Bridge Design.	8vo,	2 50
Part IV. Higher Structures.	8vo,	2 50
Morison's Memphis Bridge.	4to,	10 00
Waddell's De Pontibus, a Pocket-book for Bridge Engineers.	16mo, morocco,	2 00
* Specifications for Steel Bridges.	12mo,	50
Wright's Designing of Draw-spans. Two parts in one volume.	8vo,	3 50

HYDRAULICS.

Bazin's Experiments upon the Contraction of the Liquid Vein Issuing from an Orifice. (Trautwine.)	8vo,	2 00
Bovey's Treatise on Hydraulics.	8vo,	5 00
Church's Mechanics of Engineering.	8vo,	6 00
Diagrams of Mean Velocity of Water in Open Channels.	paper,	1 50
Hydraulic Motors.	8vo,	2 00
Coffin's Graphical Solution of Hydraulic Problems.	16mo, morocco,	2 50
Fletcher's Dynamometers, and the Measurement of Power.	12mo,	3 00
Folwell's Water-supply Engineering.	8vo,	4 00
Frizell's Water-power.	8vo,	5 00
Fuertes's Water and Public Health.	12mo,	1 50
Water-filtration Works.	12mo,	2 50
Ganguillet and Kutter's General Formula for the Uniform Flow of Water in Rivers and Other Channels. (Hering and Trautwine.)	8vo,	4 00
Hazen's Filtration of Public Water-supply.	8vo,	3 00
Hazlehurst's Towers and Tanks for Water-works.	8vo,	2 50
Herschel's 115 Experiments on the Carrying Capacity of Large, Riveted, Metal Conduits.	8vo,	2 00
Mason's Water-supply. (Considered Principally from a Sanitary Standpoint.)	8vo,	4 00
Merriman's Treatise on Hydraulics.	8vo,	5 00
* Michie's Elements of Analytical Mechanics.	8vo,	4 00
Schuyler's Reservoirs for Irrigation, Water-power, and Domestic Water-supply.	Large 8vo,	5 00
** Thomas and Watt's Improvement of Rivers. (Post, 44c. additional.)	4to,	6 00
Turneure and Russell's Public Water-supplies.	8vo,	5 00
Wegmann's Design and Construction of Dams.	4to,	5 00
Water-supply of the City of New York from 1658 to 1895.	4to,	10 00
Williams and Hazen's Hydraulic Tables.	8vo,	1 50
Wilson's Irrigation Engineering.	Small 8vo,	4 00
Wolff's Windmill as a Prime Mover.	8vo,	3 00
Wood's Turbines.	8vo,	2 50
Elements of Analytical Mechanics.	8vo,	3 00

MATERIALS OF ENGINEERING.

Baker's Treatise on Masonry Construction.....	8vo,	5 00
Roads and Pavements.....	8vo,	5 00
Black's United States Public Works.....	Oblong 4to,	5 00
* Bovey's Strength of Materials and Theory of Structures.....	8vo,	7 50
Burr's Elasticity and Resistance of the Materials of Engineering.....	8vo,	7 50
Byrne's Highway Construction.....	8vo,	5 00
Inspection of the Materials and Workmanship Employed in Construction.....	16mo,	3 00
Church's Mechanics of Engineering.....	8vo,	6 00
Du Bois's Mechanics of Engineering. Vol. I.....	Small 4to,	7 50
*Ecke's Cements, Limes, and Plasters.....	8vo,	6 00
Johnson's Materials of Construction.....	Large 8vo,	6 00
Fowler's Ordinary Foundations.....	8vo,	3 50
* Greene's Structural Mechanics.....	8vo,	2 50
Keep's Cast Iron.....	8vo,	2 50
Lanza's Applied Mechanics.....	8vo,	7 50
Marten's Handbook on Testing Materials. (Henning.) 2 vols.....	8vo,	7 50
Maurer's Technical Mechanics.....	8vo,	4 00
Merrill's Stones for Building and Decoration.....	8vo,	5 00
Merriman's Mechanics of Materials.....	8vo,	5 00
Strength of Materials.....	12mo,	1 00
Metcalf's Steel. A Manual for Steel-users.....	12mo,	2 00
Patton's Practical Treatise on Foundations.....	8vo,	5 00
Richardson's Modern Asphalt Pavements.....	8vo,	3 00
Richey's Handbook for Superintendents of Construction.....	16mo, mor.,	4 00
Rockwell's Roads and Pavements in France.....	12mo,	1 25
Sabin's Industrial and Artistic Technology of Paints and Varnish.....	8vo,	3 00
Smith's Materials of Machines.....	12mo,	1 00
Snow's Principal Species of Wood.....	8vo,	3 50
Spalding's Hydraulic Cement.....	12mo,	2 00
Text-book on Roads and Pavements.....	12mo,	2 00
Taylor and Thompson's Treatise on Concrete, Plain and Reinforced.....	8vo,	5 00
Thurston's Materials of Engineering. 3 Parts.....	8vo,	8 00
Part I. Non-metallic Materials of Engineering and Metallurgy.....	8vo,	2 00
Part II. Iron and Steel.....	8vo,	3 50
Part III. A Treatise on Brasses, Bronzes, and Other Alloys and their Constituents.....	8vo,	2 50
Thurston's Text-book of the Materials of Construction.....	8vo,	5 00
Tillson's Street Pavements and Paving Materials.....	8vo,	4 00
Waddell's De Pontibus. (A Pocket-book for Bridge Engineers.).....	16mo, mor.,	2 00
Specifications for Steel Bridges.....	12mo,	1 25
Wood's (De V.) Treatise on the Resistance of Materials, and an Appendix on the Preservation of Timber.....	8vo,	2 00
Wood's (De V.) Elements of Analytical Mechanics.....	8vo,	3 00
Wood's (M. P.) Rustless Coatings: Corrosion and Electrolysis of Iron and Steel.....	8vo,	4 00

RAILWAY ENGINEERING.

Andrew's Handbook for Street Railway Engineers.....	3x5 inches, morocco,	1 25
Berg's Buildings and Structures of American Railroads.....	4to,	5 00
Brook's Handbook of Street Railroad Location.....	16mo, morocco,	1 50
Butt's Civil Engineer's Field-book.....	16mo, morocco,	2 50
Crandall's Transition Curve.....	16mo, morocco,	1 50
Railway and Other Earthwork Tables.....	8vo,	1 50
Dawson's "Engineering" and Electric Traction Pocket-book.....	16mo, morocco,	5 00

Dredge's History of the Pennsylvania Railroad: (1879).....	Paper,	5 00
* Drinker's Tunnelling, Explosive Compounds, and Rock Drills.....	4to, half mor.,	25 00
Fisher's Table of Cubic Yards.....	Cardboard,	25
Godwin's Railroad Engineers' Field-book and Explorers' Guide.....	16mo, mor.,	2 50
Howard's Transition Curve Field-book.....	16mo, morocco,	1 50
Hudson's Tables for Calculating the Cubic Contents of Excavations and Embankments.....	8vo,	1 00
Molitor and Beard's Manual for Resident Engineers.....	16mo,	1 00
Nagle's Field Manual for Railroad Engineers.....	16mo, morocco,	3 00
Philbrick's Field Manual for Engineers.....	16mo, morocco,	3 00
Searles's Field Engineering.....	16mo, morocco,	3 00
Railroad Spiral.....	16mo, morocco,	1 50
Taylor's Prismoidal Formulæ and Earthwork.....	8vo,	1 50
* Trautwine's Method of Calculating the Cube Contents of Excavations and Embankments by the Aid of Diagrams.....	8vo,	2 00
The Field Practice of Laying Out Circular Curves for Railroads.....	12mo, morocco,	2 50
Cross-section Sheet.....	Paper,	25
Webb's Railroad Construction.....	16mo, morocco,	5 00
Wellington's Economic Theory of the Location of Railways.....	Small 8vo,	5 00

DRAWING.

Barr's Kinematics of Machinery.....	8vo,	2 50
* Bartlett's Mechanical Drawing.....	8vo,	3 00
* " " " " Abridged Ed.....	8vo,	1 50
Coolidge's Manual of Drawing.....	8vo, paper	1 00
Coolidge and Freeman's Elements of General Drafting for Mechanical Engineers.....	Oblong 4to,	2 50
Durley's Kinematics of Machines.....	8vo,	4 00
Emch's Introduction to Projective Geometry and its Applications.....	8vo,	2 50
Hill's Text-book on Shades and Shadows, and Perspective.....	8vo,	2 00
Jamison's Elements of Mechanical Drawing.....	8vo,	2 50
Advanced Mechanical Drawing.....	8vo,	2 00
Jones's Machine Design:		
Part I. Kinematics of Machinery.....	8vo,	1 50
Part II. Form, Strength, and Proportions of Parts.....	8vo,	3 00
MacCord's Elements of Descriptive Geometry.....	8vo,	3 00
Kinematics; or, Practical Mechanism.....	8vo,	5 00
Mechanical Drawing.....	4to,	4 00
Velocity Diagrams.....	8vo,	1 50
MacLeod's Descriptive Geometry.....	Small 8vo,	1 50
* Mahan's Descriptive Geometry and Stone-cutting.....	8vo,	1 50
Industrial Drawing. (Thompson.).....	8vo,	3 50
Moyer's Descriptive Geometry.....	8vo,	2 00
Reed's Topographical Drawing and Sketching.....	4to,	5 00
Reid's Course in Mechanical Drawing.....	8vo,	2 00
Text-book of Mechanical Drawing and Elementary Machine Design.....	8vo,	3 00
Robinson's Principles of Mechanism.....	8vo,	3 00
Schwamb and Merrill's Elements of Mechanism.....	8vo,	3 00
Smith's (R. S.) Manual of Topographical Drawing. (McMillan.).....	8vo,	2 50
Smith (A. W.) and Marx's Machine Design.....	8vo,	3 00
Warren's Elements of Plane and Solid Free-hand Geometrical Drawing.....	12mo,	1 00
Drafting Instruments and Operations.....	12mo,	1 25
Manual of Elementary Projection Drawing.....	12mo,	1 50
Manual of Elementary Problems in the Linear Perspective of Form and Shadow.....	12mo,	1 00
Plane Problems in Elementary Geometry.....	12mo,	1 25

Warren's Primary Geometry	12mo,	75
Elements of Descriptive Geometry, Shadows, and Perspective.	8vo,	3 50
General Problems of Shades and Shadows	8vo,	3 00
Elements of Machine Construction and Drawing	8vo,	7 50
Problems, Theorems, and Examples in Descriptive Geometry.	8vo,	2 50
Weisbach's Kinematics and Power of Transmission. (Hermann and Klein.)	8vo,	5 00
Whelpley's Practical Instruction in the Art of Letter Engraving.	12mo,	2 00
Wilson's (H. M.) Topographic Surveying	8vo,	3 50
Wilson's (V. T.) Free-hand Perspective	8vo,	2 50
Wilson's (V. T.) Free-hand Lettering	8vo,	1 00
Woolf's Elementary Course in Descriptive Geometry	Large 8vo,	3 00

ELECTRICITY AND PHYSICS.

Anthony and Brackett's Text-book of Physics. (Magie.)	Small 8vo,	3 00
Anthony's Lecture-notes on the Theory of Electrical Measurements	12mo,	1 00
Benjamin's History of Electricity	8vo,	3 00
Voltaic Cell	8vo,	3 00
Classen's Quantitative Chemical Analysis by Electrolysis. (Boltwood.)	8vo,	3 00
Crehore and Squier's Polarizing Photo-chronograph	8vo,	3 00
Dawson's "Engineering" and Electric Traction Pocket-book	16mo, morocco,	5 00
Dolezalek's Theory of the Lead Accumulator (Storage Battery). (Von Ende.)	12mo,	2 50
Duhem's Thermodynamics and Chemistry. (Burgess.)	8vo,	4 00
Flather's Dynamometers, and the Measurement of Power	12mo,	3 00
Gilbert's De Magnete. (Mottelay.)	8vo,	2 50
Hanchett's Alternating Currents Explained	12mo,	1 00
Hering's Ready Reference Tables (Conversion Factors)	16mo, morocco,	2 50
Holman's Precision of Measurements	8vo,	2 00
Telescopic Mirror-scale Method, Adjustments, and Tests	Large 8vo,	75
Kinzbrunner's Testing of Continuous-current Machines	8vo,	2 00
Landauer's Spectrum Analysis. (Tingle.)	8vo,	3 00
Le Chatelier's High-temperature Measurements. (Boudouard—Burgess.)	12mo,	3 00
Lob's Electrochemistry of Organic Compounds. (Lorenz.)	8vo,	3 00
* Lyons's Treatise on Electromagnetic Phenomena. Vols. I. and II.	8vo, each,	6 00
* Michie's Elements of Wave Motion Relating to Sound and Light	8vo,	4 00
Niaudet's Elementary Treatise on Electric Batteries. (Fishback.)	12mo,	2 50
* Parshall and Hobart's Electric Machine Design	4to, half morocco,	12 50
* Rosenberg's Electrical Engineering. (Haldane Gee—Kinzbrunner.)	8vo,	1 50
Ryan, Norris, and Hoxie's Electrical Machinery. Vol. I.	8vo,	2 50
Thurston's Stationary Steam-engines	8vo,	2 50
* Tillman's Elementary Lessons in Heat	8vo,	1 50
Tory and Pitcher's Manual of Laboratory Physics	Small 8vo,	2 00
Ulke's Modern Electrolytic Copper Refining	8vo,	3 00

LAW.

* Davis's Elements of Law	8vo,	2 50
* Treatise on the Military Law of United States	8vo,	7 00
*	Sheep,	7 50
Manual for Courts-martial	16mo, morocco,	1 50
Wait's Engineering and Architectural Jurisprudence	8vo,	6 00
Law of Operations Preliminary to Construction in Engineering and Architecture	8vo	5 00
Law of Contracts	8vo,	5 50
Law of Contracts	8vo,	3 00
Winthrop's Abridgment of Military Law	12mo,	2 50

MANUFACTURES.

Bernadou's Smokeless Powder—Nitro-cellulose and Theory of the Cellulose Molecule	12mo, 2	50
Bolland's Iron Founder.....	12mo, 2	50
" The Iron Founder," Supplement.....	12mo, 2	50
Encyclopedia of Founding and Dictionary of Foundry Terms Used in the Practice of Moulding.....	12mo, 3	00
* Eckel's Cements, Limes, and Plasters.....	8vo, 6	00
Eissler's Modern High Explosives.....	8vo, 4	00
Effront's Enzymes and their Applications. (Prescott).....	8vo, 3	00
Fitzgerald's Boston Machinist.....	12mo, 1	00
Ford's Boiler Making for Boiler Makers.....	18mo, 1	00
Hopkin's Oil-chemists' Handbook.....	8vo, 3	00
Keep's Cast Iron.....	8vo, 2	50
Leach's The Inspection and Analysis of Food with Special Reference to State Control.....	Large 8vo, 7	50
* McKay and Larsen's Principles and Practice of Butter-making.....	8vo, 1	50
Matthews's The Textile Fibres.....	8vo, 3	50
Metcalf's Steel. A Manual for Steel-users.....	12mo, 2	00
Metcalf's Cost of Manufactures—And the Administration of Workshops.....	8vo, 5	00
Meyer's Modern Locomotive Construction.....	4to, 10	00
Morse's Calculations used in Cane-sugar Factories.....	16mo, morocco, 1	50
* Reisig's Guide to Piece-dyeing.....	8vo, 25	00
Rice's Concrete-block Manufacture.....	8vo, 2	00
Sabin's Industrial and Artistic Technology of Paints and Varnish.....	8vo, 3	00
Smith's Press-working of Metals.....	8vo, 3	00
Spalding's Hydraulic Cement.....	12mo, 2	00
Spencer's Handbook for Chemists of Beet-sugar Houses.....	16mo, morocco, 3	00
Handbook for Cane Sugar Manufacturers.....	16mo, morocco, 3	00
Taylor and Thompson's Treatise on Concrete, Plain and Reinforced.....	8vo, 5	00
Thurston's Manual of Steam-boilers, their Designs, Construction and Operation.....	8vo, 5	00
* Walke's Lectures on Explosives.....	8vo, 4	00
Ware's Beet-sugar Manufacture and Refining.....	Small 8vo, 4	00
West's American Foundry Practice.....	12mo, 2	50
Moulder's Text-book.....	12mo, 2	50
Wolf's Windmill as a Prime Mover.....	8vo, 3	00
Wood's Rustless Coatings: Corrosion and Electrolysis of Iron and Steel.....	8vo, 4	00

MATHEMATICS.

Baker's Elliptic Functions.....	8vo, 1	50
* Bass's Elements of Differential Calculus.....	12mo, 4	00
Briggs's Elements of Plane Analytic Geometry.....	12mo, 1	00
Compton's Manual of Logarithmic Computations.....	12mo, 1	50
Davis's Introduction to the Logic of Algebra.....	8vo, 1	50
* Dickson's College Algebra.....	Large 12mo, 1	50
* Introduction to the Theory of Algebraic Equations.....	Large 12mo, 1	25
Emch's Introduction to Projective Geometry and its Applications.....	8vo, 2	50
Halsted's Elements of Geometry.....	8vo, 1	75
Elementary Synthetic Geometry.....	8vo, 1	50
Rational Geometry.....	12mo, 1	75
* Johnson's (J. B.) Three-place Logarithmic Tables: Vest-pocket size, paper.....	15	
100 copies for.....	5	00
* Mounted on heavy cardboard, 8×10 inches.....	25	
10 copies for.....	2	00
Johnson's (W. W.) Elementary Treatise on Differential Calculus.....	Small 8vo, 3	00
Elementary Treatise on the Integral Calculus.....	Small 8vo, 1	50

Johnson's (W. W.) Curve Tracing in Cartesian Co-ordinates.	12mo,	1 00
Johnson's (W. W.) Treatise on Ordinary and Partial Differential Equations.	Small 8vo,	3 50
Johnson's (W. W.) Theory of Errors and the Method of Least Squares.	12mo,	1 50
* Johnson's (W. W.) Theoretical Mechanics.	12mo,	3 00
Laplace's Philosophical Essay on Probabilities. (Truscott and Emory.)	12mo,	2 00
* Ludlow and Bass. Elements of Trigonometry and Logarithmic and Other Tables.	8vo,	3 00
Trigonometry and Tables published separately.	Each,	2 00
* Ludlow's Logarithmic and Trigonometric Tables.	8vo,	1 00
Manning's Irrational Numbers and their Representation by Sequences and Series	12mo,	1 25
Mathematical Monographs. Edited by Mansfield Merriman and Robert S. Woodward.	Octavo, each	1 00
No. 1. History of Modern Mathematics, by David Eugene Smith.		
No. 2. Synthetic Projective Geometry, by George Bruce Halsted.		
No. 3. Determinants, by Laenas Gifford Weld. No. 4. Hyperbolic Functions, by James McMahon. No. 5. Harmonic Functions, by William E. Byerly. No. 6. Grassmann's Space Analysis, by Edward W. Hyde. No. 7. Probability and Theory of Errors, by Robert S. Woodward. No. 8. Vector Analysis and Quaternions, by Alexander Macfarlane. No. 9. Differential Equations, by William Woolsey Johnson. No. 10. The Solution of Equations, by Mansfield Merriman. No. 11. Functions of a Complex Variable, by Thomas S. Fiske.		
Maurer's Technical Mechanics.	8vo,	4 00
Merriman's Method of Least Squares.	8vo,	2 00
Rice and Johnson's Elementary Treatise on the Differential Calculus. Sm. 8vo, 3 00		
Differential and Integral Calculus. 2 vols. in one.	Small 8vo,	2 50
Wood's Elements of Co-ordinate Geometry.	8vo,	2 00
Trigonometry: Analytical, Plane, and Spherical.	12mo,	1 00

MECHANICAL ENGINEERING.

MATERIALS OF ENGINEERING, STEAM-ENGINES AND BOILERS.

Bacon's Forge Practice.	12mo,	1 50
Baldwin's Steam Heating for Buildings.	12mo,	2 50
Barr's Kinematics of Machinery.	8vo,	2 50
* Bartlett's Mechanical Drawing.	8vo,	3 00
* " " " " Abridged Ed.	8vo,	1 50
Benjamin's Wrinkles and Recipes.	12mo,	2 00
Carpenter's Experimental Engineering.	8vo,	6 00
Heating and Ventilating Buildings.	8vo,	4 00
Cary's Smoke Suppression in Plants using Bituminous Coal. (In Preparation.)		
Clerk's Gas and Oil Engine.	Small 8vo,	4 00
Coolidge's Manual of Drawing.	8vo, paper,	1 00
Coolidge and Freeman's Elements of General Drafting for Mechanical Engineers.	Oblong 4to,	2 50
Cromwell's Treatise on Toothed Gearing.	12mo,	1 50
Treatise on Belts and Pulleys.	12mo,	1 50
Durley's Kinematics of Machines.	8vo,	4 00
Flather's Dynamometers and the Measurement of Power.	12mo,	3 00
Rope Driving.	12mo,	2 00
Gill's Gas and Fuel Analysis for Engineers.	12mo,	1 25
Hall's Car Lubrication.	12mo,	1 00
Hering's Ready Reference Tables (Conversion Factors).	16mo, morocco,	3 50

Hutton's The Gas Engine.	8vo,	5 00
Jamison's Mechanical Drawing.	8vo,	2 50
Jones's Machine Design:		
Part I. Kinematics of Machinery.	8vo,	1 50
Part II. Form, Strength, and Proportions of Parts.	8vo,	3 00
Kent's Mechanical Engineers' Pocket-book.	16mo, morocco,	5 00
Kerr's Power and Power Transmission.	8vo,	2 00
Leonard's Machine Shop, Tools, and Methods.	8vo,	4 00
* Lorenz's Modern Refrigerating Machinery. (Pope, Haven, and Dean.)	8vo,	4 00
MacCord's Kinematics; or, Practical Mechanism.	8vo,	5 00
Mechanical Drawing.	4to,	4 00
Velocity Diagrams.	8vo,	1 50
MacFarland's Standard Reduction Factors for Gases.	8vo,	1 50
Mahan's Industrial Drawing. (Thompson.)	8vo,	3 50
Poole's Calorific Power of Fuels.	8vo,	3 00
Reid's Course in Mechanical Drawing.	8vo,	2 00
Text-book of Mechanical Drawing and Elementary Machine Design.	8vo,	3 00
Richard's Compressed Air.	12mo,	1 50
Robinson's Principles of Mechanism.	8vo,	3 00
Schwamb and Merrill's Elements of Mechanism.	8vo,	3 00
Smith's (O.) Press-working of Metals.	8vo,	3 00
Smith (A. W.) and Marx's Machine Design.	8vo,	3 00
Thurston's Treatise on Friction and Lost Work in Machinery and Mill Work.	8vo,	3 00
Animal as a Machine and Prime Motor, and the Laws of Energetics.	12mo,	1 00
Warren's Elements of Machine Construction and Drawing.	8vo,	7 50
Weisbach's Kinematics and the Power of Transmission. (Herrmann—Klein.)	8vo,	5 00
Machinery of Transmission and Governors. (Herrmann—Klein.)	8vo,	5 00
Wolff's Windmill as a Prime Mover.	8vo,	3 00
Wood's Turbines.	8vo,	2 50

MATERIALS OF ENGINEERING.

* Bovey's Strength of Materials and Theory of Structures.	8vo,	7 50
Burr's Elasticity and Resistance of the Materials of Engineering. 6th Edition.	8vo,	7 50
Reset.	8vo,	7 50
Church's Mechanics of Engineering.	8vo,	6 00
* Greene's Structural Mechanics.	8vo,	2 50
Johnson's Materials of Construction.	8vo,	6 00
Keep's Cast Iron.	8vo,	2 50
Lanza's Applied Mechanics.	8vo,	7 50
Martens's Handbook on Testing Materials. (Henning.)	8vo,	7 50
Maurer's Technical Mechanics.	8vo,	4 00
Merriman's Mechanics of Materials.	8vo,	5 00
Strength of Materials.	12mo,	1 00
Metcalf's Steel. A manual for Steel-users.	12mo,	2 00
Sabin's Industrial and Artistic Technology of Paints and Varnish.	8vo,	3 00
Smith's Materials of Machines.	12mo,	1 00
Thurston's Materials of Engineering.	3 vols., 8vo,	8 00
Part II. Iron and Steel.	8vo,	3 50
Part III. A Treatise on Brasses, Bronzes, and Other Alloys and their Constituents.	8vo,	2 50
Text-book of the Materials of Construction.	8vo,	5 00
Wood's (De V.) Treatise on the Resistance of Materials and an Appendix on the Preservation of Timber.	8vo,	2 00
Elements of Analytical Mechanics.	8vo,	3 00

Wood's (M. P.) Rustless Coatings: Corrosion and Electrolysis of Iron and Steel.8vo, 4 00-

STEAM-ENGINES AND BOILERS.

Berry's Temperature-entropy Diagram.	12mo,	1 25
Carnot's Reflections on the Motive Power of Heat. (Thurston.)	12mo,	1 50
Dawson's "Engineering" and Electric Traction Pocket-book.	16mo, mor.,	5 00
Ford's Boiler Making for Boiler Makers.	18mo,	1 00
Goss's Locomotive Sparks.	8vo,	2 00
Hemenway's Indicator Practice and Steam-engine Economy.	12mo,	2 00
Hutton's Mechanical Engineering of Power Plants.	8vo,	5 00
Heat and Heat-engines.	8vo,	5 00
Kent's Steam boiler Economy.	8vo,	4 00
Kneass's Practice and Theory of the Injector.	8vo,	1 50
MacCord's Slide-valves.	8vo,	2 00
Meyer's Modern Locomotive Construction.	4to,	10 00
Peabody's Manual of the Steam-engine Indicator.	12mo,	1 50
Tables of the Properties of Saturated Steam and Other Vapors	8vo,	1 00
Thermodynamics of the Steam-engine and Other Heat-engines.	8vo,	5 00
Valve-gears for Steam-engines.	8vo,	2 50
Peabody and Miller's Steam-boilers.	8vo,	4 00
Pray's Twenty Years with the Indicator.	Large 8vo,	2 50
Pupin's Thermodynamics of Reversible Cycles in Gases and Saturated Vapors. (Osterberg.)	12mo,	1 25
Reagan's Locomotives: Simple Compound, and Electric.	12mo,	2 50
Rontgen's Principles of Thermodynamics. (Du Bois.)	8vo,	5 00
Sinclair's Locomotive Engine Running and Management.	12mo,	2 00
Smart's Handbook of Engineering Laboratory Practice.	12mo,	2 50
Snow's Steam-boiler Practice.	8vo,	3 00
Spangler's Valve-gears.	8vo,	2 50
Notes on Thermodynamics.	12mo,	1 00
Spangler, Greene, and Marshall's Elements of Steam-engineing	8vo,	3 00
Thomas's Steam-turbines.	8vo,	3 50
Thurston's Handy Tables.	8vo,	1 50
Manual of the Steam-engine.	2 vols., 8vo,	10 00
Part I. History, Structure, and Theory.	8vo,	6 00
Part II. Design, Construction, and Operation.	8vo,	6 00
Handbook of Engine and Boiler Trials, and the Use of the Indicator and the Prony Brake.	8vo,	5 00
Stationary Steam-engines.	8vo,	2 50
Steam-boiler Explosions in Theory and in Practice	12mo,	1 50
Manual of Steam-boilers, their Designs, Construction, and Operation	8vo,	5 00
Wehrenfenning's Analysis and Softening of Boiler Feed-water (Patterson)	8vo,	4 00
Weisbach's Heat, Steam, and Steam-engines. (Du Bois.)	8vo,	5 00
Whitham's Steam-engine Design.	8vo,	5 00
Wood's Thermodynamics, Heat Motors, and Refrigerating Machines.	8vo,	4 00

MECHANICS AND MACHINERY.

Barr's Kinematics of Machinery.	8vo,	2 50
* Bovey's Strength of Materials and Theory of Structures	8vo,	7 50
Chase's The Art of Pattern-making.	12mo,	2 50
Church's Mechanics of Engineering.	8vo,	6 00
Notes and Examples in Mechanics.	8vo,	2 00
Compton's First Lessons in Metal-working.	12mo,	1 50
Compton and De Groodt's The Speed Lathe.	12mo,	1 50

Cromwell's Treatise on Toothed Gearing.....	12mo,	1 50
Treatise on Belts and Pulleys.....	12mo,	1 50
Dana's Text-book of Elementary Mechanics for Colleges and Schools.....	12mo,	1 50
Dingey's Machinery Pattern Making.....	12mo,	2 00
Dredge's Record of the Transportation Exhibits Building of the World's Columbian Exposition of 1893.....	4to half morocco,	5 00
Du Bois's Elementary Principles of Mechanics:		
Vol. I. Kinematics.....	8vo,	3 50
Vol. II. Statics.....	8vo,	4 00
Mechanics of Engineering. Vol. I.....	Small 4to,	7 50
Vol. II.....	Small 4to,	10 00
Durley's Kinematics of Machines.....	8vo,	4 00
Fitzgerald's Boston Machinist.....	16mo,	1 00
Flatheg's Dynamometers, and the Measurement of Power.....	12mo,	3 00
Rope Driving.....	12mo,	2 00
Goss's Locomotive Sparks.....	8vo,	2 00
* Greene's Structural Mechanics.....	8vo,	2 50
Hall's Car Lubrication.....	12mo,	1 00
Holly's Art of Saw Filing.....	18mo,	75
James's Kinematics of a Point and the Rational Mechanics of a Particle.....	Small 8vo,	2 00
* Johnson's (W. W.) Theoretical Mechanics.....	12mo,	3 00
Johnson's (L. J.) Statics by Graphic and Algebraic Methods.....	8vo,	2 00
Jones's Machine Design:		
Part I. Kinematics of Machinery.....	8vo,	1 50
Part II. Form, Strength, and Proportions of Parts.....	8vo,	3 00
Kerr's Power and Power Transmission.....	8vo,	2 00
Lanza's Applied Mechanics.....	8vo,	7 50
Leonard's Machine Shop, Tools, and Methods.....	8vo,	4 00
* Lorenz's Modern Refrigerating Machinery. (Pope, Haven, and Dean.).....	8vo,	4 00
MacCord's Kinematics; or, Practical Mechanism.....	8vo,	5 00
Velocity Diagrams.....	8vo,	1 50
* Martin's Text Book on Mechanics, Vol. I, Statics.....	12mo,	1 25
Maurer's Technical Mechanics.....	8vo,	4 00
Merriman's Mechanics of Materials.....	8vo,	5 00
* Elements of Mechanics.....	12mo,	1 00
* Michie's Elements of Analytical Mechanics.....	8vo,	4 00
* Parshall and Hobart's Electric Machine Design.....	4to, half morocco,	12 50
Reagan's Locomotives: Simple, Compound, and Electric.....	12mo,	2 50
Reid's Course in Mechanical Drawing.....	8vo,	2 00
Text-book of Mechanical Drawing and Elementary Machine Design.....	8vo,	3 00
Richards's Compressed Air.....	12mo,	1 50
Robinson's Principles of Mechanism.....	8vo,	3 00
Ryan, Norris, and Hoxie's Electrical Machinery. Vol. I.....	8vo,	2 50
Schwamb and Merrill's Elements of Mechanism.....	8vo,	3 00
Sinclair's Locomotive-engine Running and Management.....	12mo,	2 00
Smith's (O.) Press-working of Metals.....	8vo,	3 00
Smith's (A. W.) Materials of Machines.....	12mo,	1 00
Smith (A. W.) and Marx's Machine Design.....	8vo,	3 00
Spangler, Greene, and Marshall's Elements of Steam-engineering.....	8vo,	3 00
Thurston's Treatise on Friction and Lost Work in Machinery and Mill Work.....	8vo,	3 00
Animal as a Machine and Prime Motor, and the Law of Energetics.....	12mo,	1 00
Warren's Elements of Machine Construction and Drawing.....	8vo,	7 50
Weisbach's Kinematics and Power of Transmission. (Herrmann-Klein.).....	8vo,	5 00
Machinery of Transmission and Governors. (Herrmann-Klein.).....	8vo,	5 00
Wood's Elements of Analytical Mechanics.....	8vo,	3 00
Principles of Elementary Mechanics.....	12mo,	1 25
Turbines.....	8vo,	2 50
The World's Columbian Exposition of 1893.....	4to,	1 00

METALLURGY.

Egleston's Metallurgy of Silver, Gold, and Mercury:	
Vol. I. Silver.	8vo, 7 50
Vol. II. Gold and Mercury.	8vo, 7 50
Goesel's Minerals and Metals: A Reference Book.	16mo, mor. 3 00
** Iles's Lead-smelting. (Postage 0 cents additional).	12mo, 2 50
Keep's Cast Iron.	8vo, 2 50
Kunhardt's Practice of Ore Dressing in Europe.	8vo, 1 50
Le Chatelier's High-temperature Measurements. (Boudouard—Burgess.)	12mo, 3 00
Metcalf's Steel. A Manual for Steel-users.	12mo, 2 00
Minet's Production of Aluminum and its Industrial Use. (Waldo).	12mo, 2 50
Robine and Lenglen's Cyanide Industry. (Le Clerc.)	8vo, 4 00
Smith's Materials of Machines.	12mo, 1 00
Thurston's Materials of Engineering. In Three Parts.	8vo, 8 00
Part II. Iron and Steel.	8vo, 3 50
Part III. A Treatise on Brasses, Bronzes, and Other Alloys and their Constituents.	8vo, 2 50
Ulke's Modern Electrolytic Copper Refining.	8vo, 3 00

MINERALOGY.

Barringer's Description of Minerals of Commercial Value. Oblong, morocco.	2 50
Boyd's Resources of Southwest Virginia.	8vo, 3 00
Map of Southwest Virginia.	Pocket-book form. 2 00
Brush's Manual of Determinative Mineralogy. (Penfield.)	8vo, 4 00
Chester's Catalogue of Minerals.	8vo, paper, 1 00
Cloth, 1 25	
Dictionary of the Names of Minerals.	8vo 3 50
Dana's System of Mineralogy.	Large 8vo, half leather, 12 50
First Appendix to Dana's New "System of Mineralogy."	Large 8vo, 1 00
Text-book of Mineralogy.	8vo, 4 00
Minerals and How to Study Them.	12mo, 1 50
Catalogue of American Localities of Minerals.	Large 8vo, 1 00
Manual of Mineralogy and Petrography.	12mo 2 00
Douglas's Untechnical Addresses on Technical Subjects.	12mo, 1 00
Eakle's Mineral Tables.	8vo, 1 25
Egleston's Catalogue of Minerals and Synonyms.	8vo, 2 50
Goesel's Minerals and Metals: A Reference Book.	16mo, mor. 3 00
Groth's Introduction to Chemical Crystallography (Marshall)	12mo, 1 25
Hussak's The Determination of Rock-forming Minerals. (Smith.) Small 8vo.	2 00
Merrill's Non-metallic Minerals: Their Occurrence and Uses.	8vo, 4 00
* Penfield's Notes on Determinative Mineralogy and Record of Mineral Tests. 8vo, paper, 50	
Rosenbusch's Microscopical Physiography of the Rock-making Minerals. (Iddings.)	8vo, 5 00
* Tillman's Text-book of Important Minerals and Rocks.	8vo, 2 00

MINING.

Beard's Ventilation of Mines.	12mo, 2 50
Boyd's Resources of Southwest Virginia.	8vo, 3 00
Map of Southwest Virginia.	Pocket-book form 2 00
Douglas's Untechnical Addresses on Technical Subjects.	12mo, 1 00
* Drinker's Tunneling, Explosive Compounds, and Rock Drills. .4to. hf. mor.	25 00
Eissler's Modern High Explosives.	8vo, 4 00
Goesel's Minerals and Metals: A Reference Book.	16mo, mor. 3 00

Goodyear's Coal-mines of the Western Coast of the United States.	12mo,	2 50
ihlseng's Manual of Mining.	8vo,	5 00
** Les's Lead-smelting. (Postage 9c. additional).	12mo,	2 50
Kunhardt's Practice of Ore Dressing in Europe.	8vo,	1 50
O'Driscoll's Notes on the Treatment of Gold Ores.	8vo,	2 00
Robine and Lenglen's Cyanide Industry. (Le Clerc).	8vo,	4 00
* Walke's Lectures on Explosives.	8vo,	4 00
Wilson's Cyanide Processes.	12mo,	1 50
Chlorination Process.	12mo,	1 50
Hydraulic and Placer Mining.	12mo,	2 00
Treatise on Practical and Theoretical Mine Ventilation.	12mo,	1 25

SANITARY SCIENCE.

Bashore's Sanitation of a Country House.	12mo,	1 00
Folwell's Sewerage. (Designing, Construction, and Maintenance).	8vo,	3 00
Water-supply Engineering.	8vo,	4 00
Fowler's Sewage Works Analyses.	12mo,	2 00
Fuertes's Water and Public Health.	12mo,	1 50
Water-filtration Works.	12mo,	2 50
Gerhard's Guide to Sanitary House-inspection.	16mo,	1 00
Goodrich's Economic Disposal of Town's Refuse.	Demy 8vo,	3 50
Hazen's Filtration of Public Water-supplies.	8vo,	3 00
Leach's The Inspection and Analysis of Food with Special Reference to State Control.	8vo,	7 50
Mason's Water-supply. (Considered principally from a Sanitary Standpoint) 8vo,	8vo,	4 00
Examination of Water. (Chemical and Bacteriological).	12mo,	1 25
Ogden's Sewer Design.	12mo,	2 00
Prescott and Winslow's Elements of Water Bacteriology, with Special Reference to Sanitary Water Analysis.	12mo,	1 25
* Price's Handbook on Sanitation.	12mo,	1 50
Richards's Cost of Food. A Study in Diets.	12mo,	1 00
Cost of Living as Modified by Sanitary Science.	12mo,	1 00
Cost of Shelter.	12mo,	1 00
Richards and Woodman's Air, Water, and Food from a Sanitary Standpoint.	8vo,	2 00
* Richards and Williams's The Dietary Computer.	8vo,	1 50
Rideal's Sewage and Bacterial Purification of Sewage.	8vo,	3 50
Turneure and Russell's Public Water-supplies.	8vo,	5 00
Von Behring's Suppression of Tuberculosis. (Bolduan).	12mo,	1 00
Whipple's Microscopy of Drinking-water.	8vo,	3 50
Winton's Microscopy of Vegetable Foods.	8vo,	7 50
Woodhull's Notes on Military Hygiene.	16mo,	1 50
* Personal Hygiene.	12mo,	1 00

MISCELLANEOUS.

De Fursac's Manual of Psychiatry. (Rosanoff and Collins).	Large 12mo,	2 50
Ehrlich's Collected Studies on Immunity (Bolduan).	8vo,	6 00
Emmons's Geological Guide-book of the Rocky Mountain Excursion of the International Congress of Geologists.	Large 8vo,	1 50
Ferrel's Popular Treatise on the Winds.	8vo,	4 00
Haines's American Railway Management.	12mo,	2 50
Mott's Fallacy of the Present Theory of Sound.	16mo,	1 00
Ricketts's History of Rensselaer Polytechnic Institute, 1824-1894.	Small 8vo,	3 00
Rostoski's Serum Diagnosis. (Bolduan).	12mo,	1 00
Rotherham's Emphasized New Testament.	Large 8vo,	2 00

Steel's Treatise on the Diseases of the Dog.....	8vo,	3 50
The World's Columbian Exposition of 1893.....	4to,	1 00
Von Behring's Suppression of Tuberculosis. (Bolduan.).....	12mo,	1 00
Winslow's Elements of Applied Microscopy.....	12mo,	1 50
Worcester and Atkinson. Small Hospitals, Establishment and Maintenance; Suggestions for Hospital Architecture: Plans for Small Hospital. 12mo.		1 25

HEBREW AND CHALDEE TEXT-BOOKS.

Green's Elementary Hebrew Grammar.....	12mo,	1 25
Hebrew Chrestomathy.....	8vo,	2 00
Gesenius's Hebrew and Chaldee Lexicon to the Old Testament Scriptures. (Tregelles.).....	Small 4to, half morocco,	5 00
Letteris's Hebrew Bible.....	8vo,	2 25





OCKER
JAN 26 1989

